

Technical data

Pump name

100x80 CSHA 5 7.5

Customer	Date	2021-05-14	Company
Contact	Item no.		Issued by
Phone	Project		Phone
E-mail	Project ID		E-mail

Requested data

1	Pump type	Horizontal Split Casing	Fluid	Water
2	Number of pumps / Reserve	1 / 0	Liquid temperature	°C 20
3	Flow	m ³ /h	Kin. viscosity	mm ² /s 1.005
4	Head	m	Vapour pressure	kPa 2.34
5	Geodetic head	m	PH value	
6	Inlet pressure (pin)	kPa 0	Density	kg/m ³ 998.3
7	Available system NPSH		Solids	Weight % 0
8	Ambient temperature	°C 20		

Pump

9	Pump name	100x80 CSHA 5 7.5	Frequency	Hz 50
10	Design	Horizontal Split Casing	Installation type	with base, motor
11	Manufacturer	EBARA	Impeller Diameter	Max. mm 266
12	Speed	rpm 1450		Designed mm 266
13	No. of Stage	1		Min. mm 214
14	Connection Suction side	JIS 16K	Flow	Operating m ³ /h
15	Connection Discharge side	JIS 16K		Max- m ³ /h 84
16	Max Working Pressure	kPa 1600		Min- m ³ /h 0
17	Shut-off head	kPa 249.63	Head	Operating m
18	Total weight	kg See the table of "Dimensions".		- (Qmax.) m 16.3
19	Shaft power	kW		- (Qmin.) m 25.5
20			Max. Shaft Power at max. impeller	kW 5.17
21	Required pump NPSH	m	Efficiency	%

Materials

22	Casing	Cast iron	
23	Impeller	Bronze	
24	Shaft	316 Stainless steel	
25	Shaft sleeve	.	
26	Mechanical seal	.	
27	Ball bearing	.	

Motor

28	Manufacturer	TECO	Insulation class	F
29	Type	132M_B3_7.5_3_400	Phases	3~
30	Specific design	TEFC / 50 Hz / Pole pairs 2	Frame size	132 M
31	Rated power	kW 7.5	Weight	kg 77
32	Number of poles	4	Electric voltage	V 400
33	Speed	rpm 1450	Electric current	A 14.5
34	Degree of protection	IP 55		
35				

Remarks

Performance curve

Pump name

100x80 CSHA 5 7.5

Customer	Date	2021-05-14	Company
Contact	Item no.		Issued by
Phone	Project		Phone
E-mail	Project ID		E-mail

Requested data

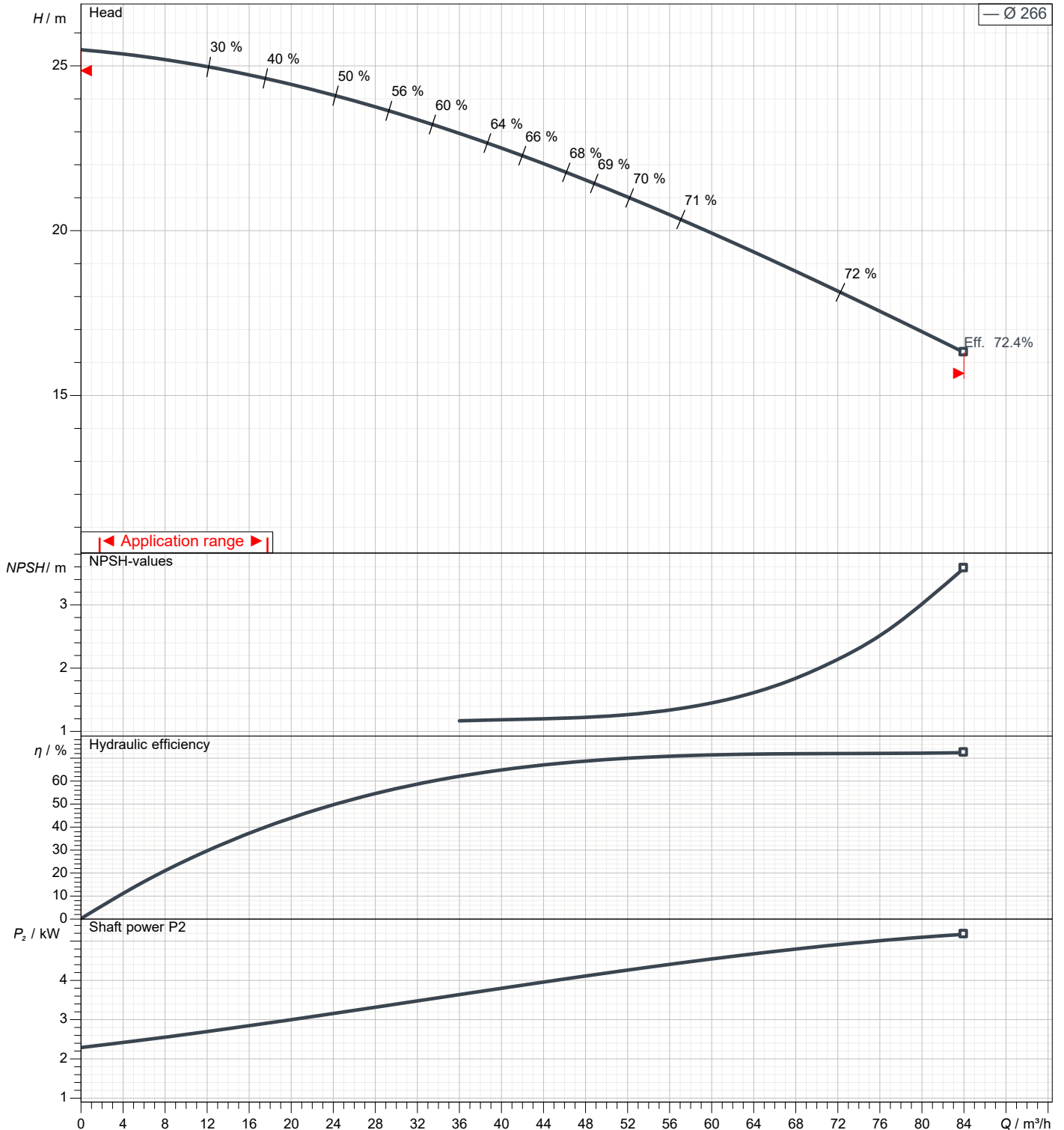
1	Flow	m ³ /h	
2	Head	m	
3	Geodetic head	m	

Pump

Operating Flow	m ³ /h		Frequency	Hz	50
Operating Head	m		Number of poles		4
ImpellerDiameter Designed	mm	266	Speed	rpm	1450

Test standard: ISO 9906:2012 - Grade3B

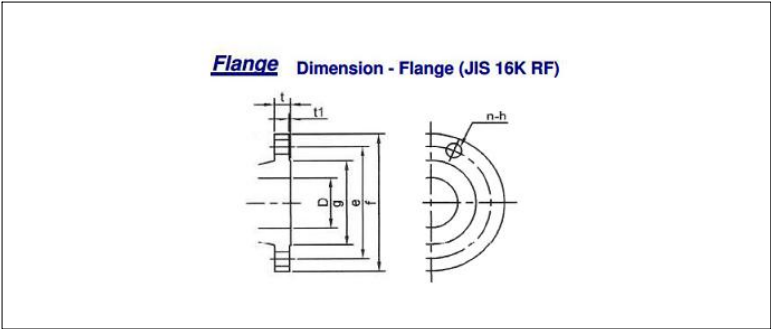
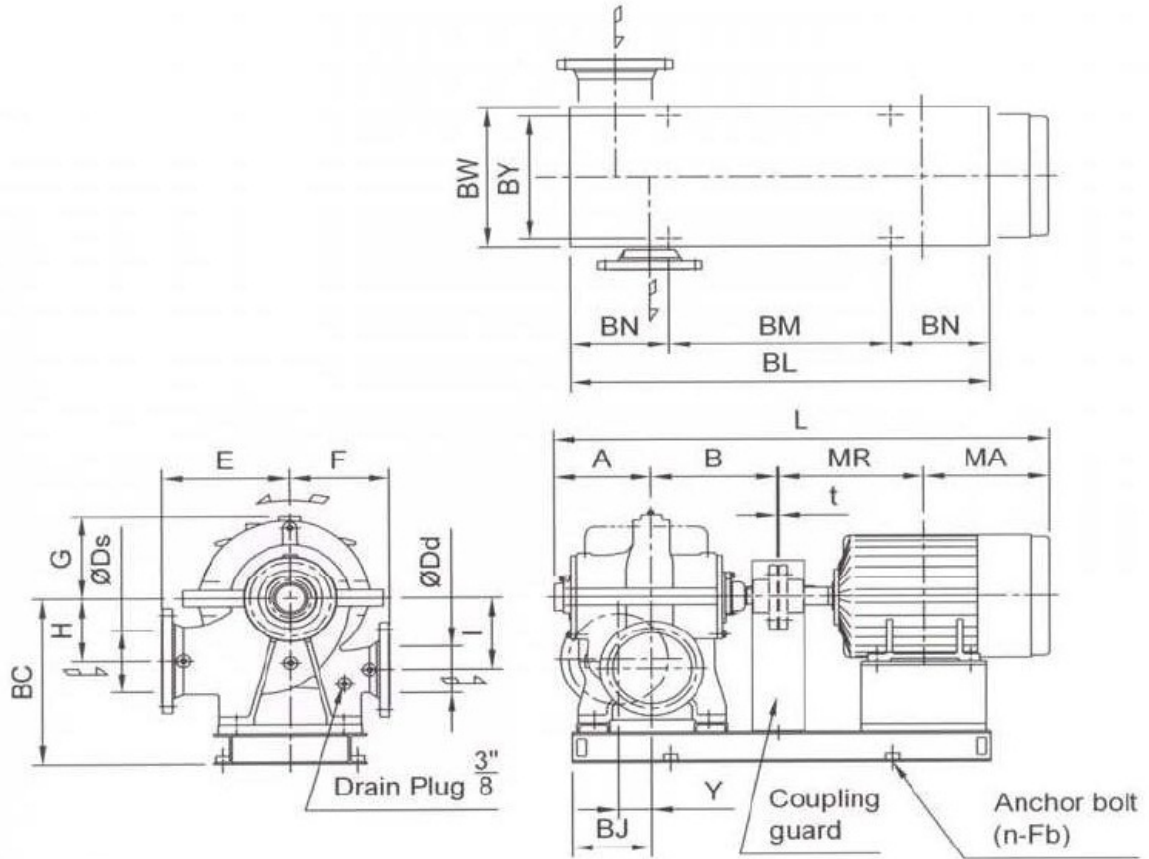
Water; 20°C; 998.3kg/m³; 1mm²/s



Dimensions

Pump name 100x80 CSHA 5 7.5

Customer	Date 2021-05-14	Company
Contact	Item no.	Issued by
Phone	Project	Phone
E-mail	Project ID	E-mail



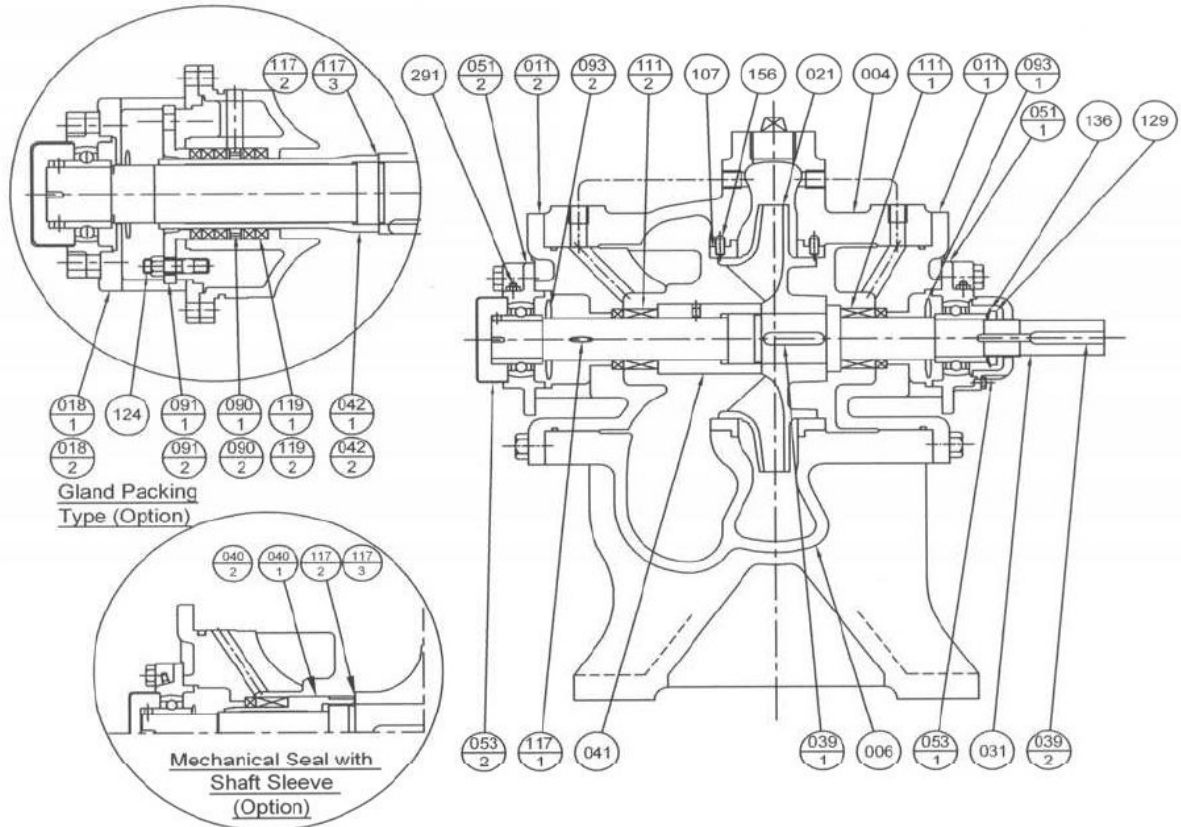
Total weight : 281 kg

Pump dimensions				mm		Suction side		mm		Discharge side		mm	
A	221	H	150	D	100	D	80						
B	250	I	160	e	185	e	160						
BC	411	L	966	f	225	f	200						
BJ	170	MA	234	g	160	g	135						
BL	810	MR	258	h	23	h	23						
BM	510	n	4 (Num)	n Num	8 (Num)	n Num	8 (Num)						
BN	150	t	3	t	26	t	24						
BW	380	Y	70	t1	2	t1	2						
BY	330												
Dd	80												
Ds	100												
E	280												
F	220												
Fb	M12												
G	185												

Construction

Pump name 100x80 CSHA 5 7.5

Customer	Date 2021-05-14	Company
Contact	Item no.	Issued by
Phone	Project	Phone
E-mail	Project ID	E-mail



Gland Packing Type (Option)

042-2	Shaft Sleeve (CCP Side)	BC6	1	119-2	Shaft Sleeve (CCP Side)	Carbonised Fiber	5
042-1	Shaft Sleeve (CP Side)			119-2	Shaft Sleeve (CP Side)	Carbonised Fiber	5
018-2	Bearing Support (CCP Side)	FC200	1	090-2	Lantern Ring (CCP Side)	BC6	1
018-1	Bearing Support (CP Side)			090-1	Lantern Ring (CP Side)		
124	Gland Bolt			C3604BD-F	091-2		
				091-1	Gland (CP Side)		

Mechanical Seal with Shaft Sleeve Type (Option)

040-2	Shaft Sleeve (CCP Side)	BC6	1	117-3	Sleeve Gasket (CCP Side)	V#6500	1
040-1	Shaft Sleeve (CP Side)	BC6		117-2	Sleeve Gasket (CP Side)	V#6500	

Mechanical Seal Type (Standard)

051-2	Bearing Unit	FC200	1	291	Grease Nipple	C3604BD-F	2	
051-1	Bearing Unit			156	Lock Pin	SUS304		
041	Impeller Nut	BC6	1	136	Bearing Washer	SS400	1	
039-2	Coupling Key	S50C		129	Bearing Nut			
039-1	Impeller Key	316 Stainless Steel		117-1	Gasket (Casing)	V#6500		
031	Shaft	Steel		111-2	Mechanical Seal	-		
021	Impeller	BC6		111-1	Mechanical Seal	-		
011-2	Side Cover	FC250		107	Casing Wear Ring	BC6		2
011-1	Side Cover			093-2	Deflector (CCP Side)	Rubber		1
006	Casing Lower Half			093-1	Deflector (CP Side)			
004	Casing Upper Half			053-2	Bearing Cover	FC200		
				053-1	Bearing Cover			
No.	Part Name	Material	Qty	No.	Part Name	Material	Qty	