

Technical data

Pump name

125x100 CN2GA 5 45

Customer	Date	2021-05-13	Company
Contact	Item no.		Issued by
Phone	Project		Phone
E-mail	Project ID		E-mail

Requested data

1	Pump type	Horizontal Split Casing	Fluid	Water
2	Number of pumps / Reserve	1 / 0	Liquid temperature	°C
3	Flow	m³/h	Kin. viscosity	mm²/s
4	Head	m	Vapour pressure	kPa
5	Geodetic head	m	PH value	
6	Inlet pressure (pin)	kPa	Density	kg/m³
7	Available system NPSH		Solids	Weight %
8	Ambient temperature	°C		

Pump

9	Pump name	125x100 CN2GA 5 45	Frequency	Hz	50	
10	Design	Horizontal Split Casing	Installation type		with base, motor	
11	Manufacturer	EBARA	Impeller Diameter	Max.	mm	
12	Speed	rpm		2900	Designed	mm
13	No. of Stage	1			Min.	mm
14	Connection	Suction side	JIS	16K	Flow	
15	Connection	Discharge side	JIS	16K		
16	Max Working Pressure	kPa	1600			
17	Shut-off head	kPa	675.72	Head	Operating	
18	Total weight	kg	See the table of "Dimensions".		- (Qmax.)	m
19	Shaft power	kW			- (Qmin.)	m
20				Max. Shaft Power at max. impeller	kW	
21	Required pump NPSH	m		Efficiency	%	

Materials

22	Casing	Cast iron		
23	Impeller	Bronze		
24	Shaft	316 Stainless steel		
25	Shaft sleeve	.		
26	Mechanical seal	.		
27	Ball bearing	.		

Motor

28	Manufacturer	TECO	Insulation class	F	
29	Type	225MA_B3_45_3_400	Phases	3~	
30	Specific design	TEFC / 50 Hz / Pole pairs 1	Frame size	225 MA	
31	Rated power	kW	45	Weight	kg
32	Number of poles	2	Electric voltage	V	400
33	Speed	rpm	2945	Electric current	A
34	Degree of protection	IP 55			
35					

Remarks

Performance curve

Pump name

125x100 CN2GA 5 45

Customer	Date	2021-05-13	Company
Contact	Item no.		Issued by
Phone	Project		Phone
E-mail	Project ID		E-mail

Requested data

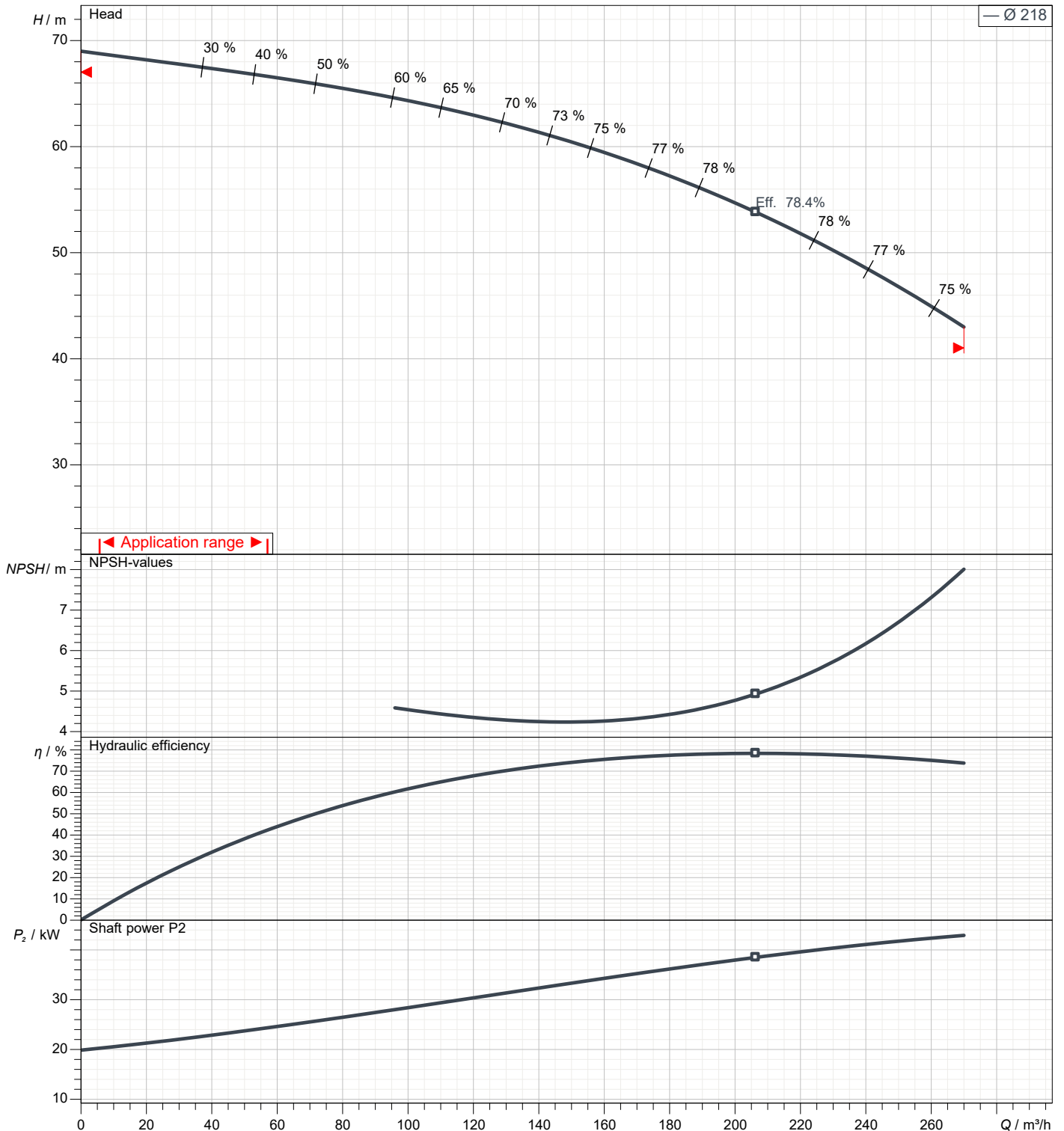
1	Flow	m³/h	
2	Head	m	
3	Geodetic head	m	

Pump

Operating Flow	m³/h		Frequency	Hz	50
Operating Head	m		Number of poles		2
ImpellerDiameter Designed	mm	218	Speed	rpm	2900

Test standard: ISO 9906:2012 - Grade3B

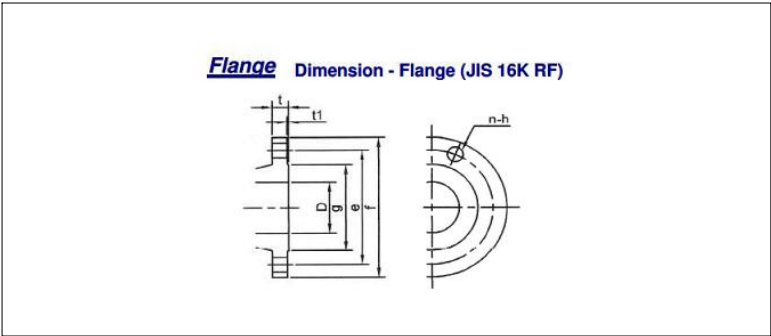
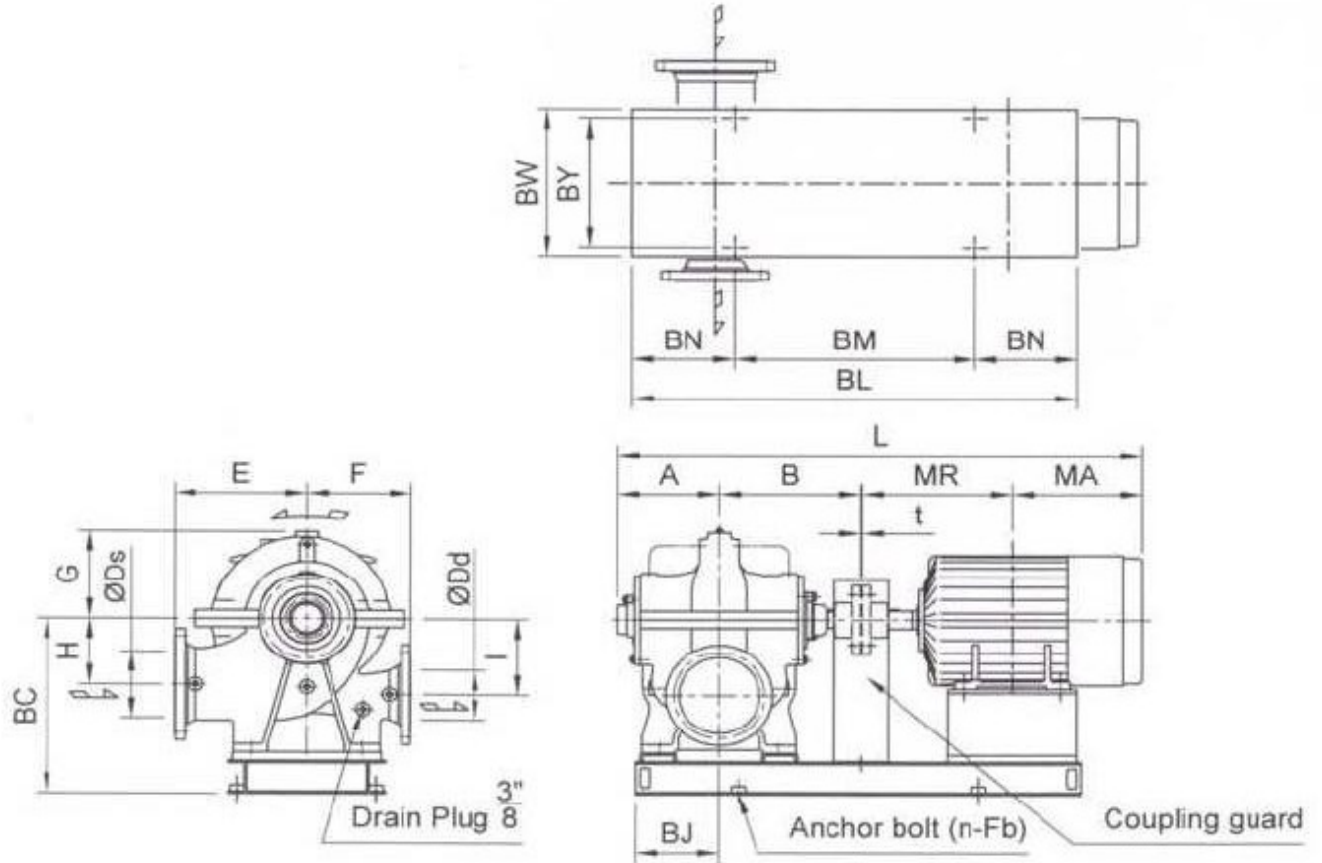
Water; 20°C; 998.3kg/m³; 1.005mm²/s



Dimensions

Pump name 125x100 CN2GA 5 45

Customer	Date 2021-05-13	Company
Contact	Item no.	Issued by
Phone	Project	Phone
E-mail	Project ID	E-mail



Total weight : 698 kg

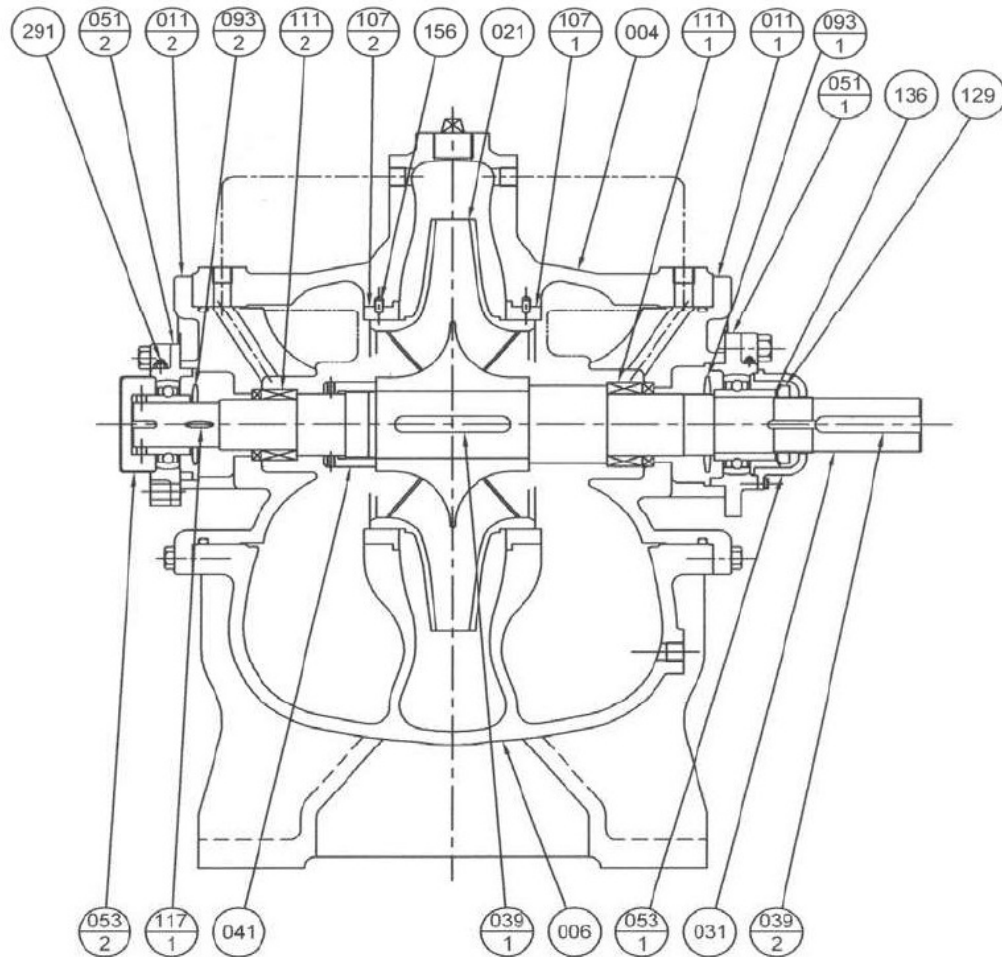
Pump dimensions				Suction side		Discharge side	
mm				mm		mm	
A	231	H	150	D	125	D	100
B	350	l	150	e	225	e	185
BC	470	L	1396	f	270	f	225
BJ	185	MA	396.5	g	195	g	160
BL	1210	MR	414.5	h	23	h	23
BM	780	n	4 (Num)	n Num	8 (Num)	n Num	8 (Num)
BN	215	t	4	t	26	t	26
BW	540			t1	2	t1	2
BY	470						
Dd	100						
Ds	125						
E	290						
F	250						
Fb	M22						
G	181						

(1/2)

Construction

Pump name 125x100 CN2GA 5 45

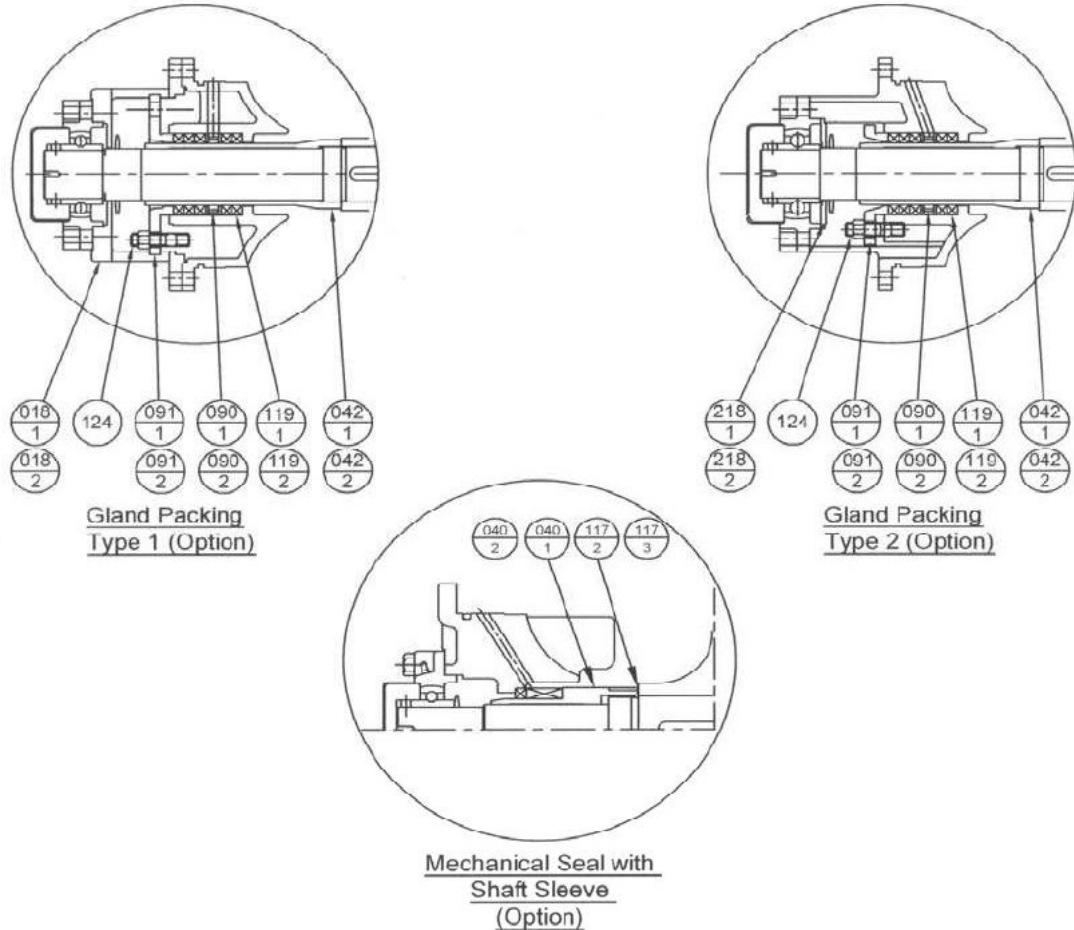
Customer	Date 2021-05-13	Company
Contact	Item no.	Issued by
Phone	Project	Phone
E-mail	Project ID	E-mail



Mechanical Seal Type (Standard)

051-2	Bearing Unit	FC200	1	291	Grease Nipple	C3604BD-F	2
051-1	Bearing Unit			156	Lock Pin	SUS304	
041	Impeller Nut	BC6		136	Bearing Washer	SS400	1
039-2	Coupling Key	S50C		129	Bearing Nut		
039-1	Impeller Key	316 Stainless		117-1	Gasket (Casing)	V#6500	
031	Shaft	Steel		111-2	Mechanical Seal	-	
021	Impeller	BC6		111-1	Mechanical Seal	-	
011-2	Side Cover	FC250		107	Casing Wear Ring	BC6	2
011-1	Side Cover			093-2	Deflector (CCP Side)	Rubber	1
006	Casing Lower Half			093-1	Deflector (CP Side)		
004	Casing Upper Half			053-2	Bearing Cover	FC200	
		053-1		Bearing Cover			
No.	Part Name	Material	Qty	No.	Part Name	Material	Qty

Customer	Date 2021-05-13	Company
Contact	Item no.	Issued by
Phone	Project	Phone
E-mail	Project ID	E-mail



Gland Packing Type 2 (Option)

042-2	Shaft Sleeve (CCP Side)	BC6	1	119-2	Gland Packing (CCP Side)	Carbonised Fiber	5
042-1	Shaft Sleeve (CP Side)			119-1	Gland Packing (CP Side)	Carbonised Fiber	5
218-2	Bearing Cover Plate (CCP Side)	FC150	1	090-2	Lantern Ring (CCP Side)	BC6	1
218-1	Bearing Cover Plate (CP Side)			090-1	Lantern Ring (CP Side)		
124	Gland Bolt	C3604BD-F	4	091-2	Gland (CCP Side)		
				091-1	Gland (CP Side)		

Gland Packing Type 1 (Option)

042-2	Shaft Sleeve (CCP Side)	BC6	1	119-2	Gland Packing (CCP Side)	Carbonised Fiber	5
042-1	Shaft Sleeve (CP Side)			119-1	Gland Packing (CP Side)	Carbonised Fiber	5
018-2	Bearing Support (CCP Side)	FC200	1	090-2	Lantern Ring (CCP Side)	BC6	1
018-1	Bearing Support (CP Side)			090-1	Lantern Ring (CP Side)		
124	Gland Bolt	C3604BD-F	4	091-2	Gland (CCP Side)		
				091-1	Gland (CP Side)		

Mechanical Seal with Shaft Sleeve Type (Option)

040-2	Shaft Sleeve (CCP Side)	BC6	1	117-3	Sleeve Gasket (CCP Side)	V#6500	1
040-1	Shaft Sleeve (CP Side)	BC6		117-2	Sleeve Gasket (CP Side)	V#6500	
No.	Part Name	Material	Qty	No.	Part Name	Material	Qty