

Technical data

Pump name

150x125 CN2GA 5 150

| | | | |
|----------|------------|------------|-----------|
| Customer | Date | 2021-05-13 | Company |
| Contact | Item no. | | Issued by |
| Phone | Project | | Phone |
| E-mail | Project ID | | E-mail |

Requested data

| | | | | |
|---|---------------------------|-------------------------|--------------------|-------------|
| 1 | Pump type | Horizontal Split Casing | Fluid | Water |
| 2 | Number of pumps / Reserve | 1 / 0 | Liquid temperature | °C 20 |
| 3 | Flow | m³/h | Kin. viscosity | mm²/s 1.005 |
| 4 | Head | m | Vapour pressure | kPa 2.34 |
| 5 | Geodetic head | m | PH value | |
| 6 | Inlet pressure (pin) | kPa 0 | Density | kg/m³ 998.3 |
| 7 | Available system NPSH | | Solids | Weight % 0 |
| 8 | Ambient temperature | °C 20 | | |

Pump

| | | | | |
|----|---------------------------|-----------------------------------|-----------------------------------|-------------------|
| 9 | Pump name | 150x125 CN2GA 5 150 | Frequency | Hz 50 |
| 10 | Design | Horizontal Split Casing | Installation type | with base, motor |
| 11 | Manufacturer | EBARA | Impeller Diameter | Max. mm 274 |
| 12 | Speed | rpm 2900 | | Designed mm 274 |
| 13 | No. of Stage | 1 | | Min. mm 227 |
| 14 | Connection Suction side | JIS 16K | Flow | Operating m³/h |
| 15 | Connection Discharge side | JIS 16K | | Max- m³/h 570 |
| 16 | Max Working Pressure | kPa 1600 | | Min- m³/h 0 |
| 17 | Shut-off head | kPa 1076.79 | Head | Operating m |
| 18 | Total weight | kg See the table of "Dimensions". | | - (Qmax.) m 61.6 |
| 19 | Shaft power | kW | | - (Qmin.) m 110.0 |
| 20 | | | Max. Shaft Power at max. impeller | kW 139.04 |
| 21 | Required pump NPSH | m | Efficiency | % |

Materials

| | | | |
|----|-----------------|---------------------|--|
| 22 | Casing | Cast iron | |
| 23 | Impeller | Bronze | |
| 24 | Shaft | 316 Stainless steel | |
| 25 | Shaft sleeve | . | |
| 26 | Mechanical seal | . | |
| 27 | Ball bearing | . | |

Motor

| | | | | |
|----|----------------------|-----------------------------|------------------|---------|
| 28 | Manufacturer | TECO | Insulation class | F |
| 29 | Type | 315MA_B3_150_3_400 | Phases | 3~ |
| 30 | Specific design | TEFC / 50 Hz / Pole pairs 1 | Frame size | 315 MA |
| 31 | Rated power | kW 150 | Weight | kg 1040 |
| 32 | Number of poles | 2 | Electric voltage | V 400 |
| 33 | Speed | rpm 2960 | Electric current | A 259 |
| 34 | Degree of protection | IP 55 | | |
| 35 | | | | |

Remarks

Performance curve

Pump name

150x125 CN2GA 5 150

| | | | |
|----------|------------|------------|-----------|
| Customer | Date | 2021-05-13 | Company |
| Contact | Item no. | | Issued by |
| Phone | Project | | Phone |
| E-mail | Project ID | | E-mail |

Requested data

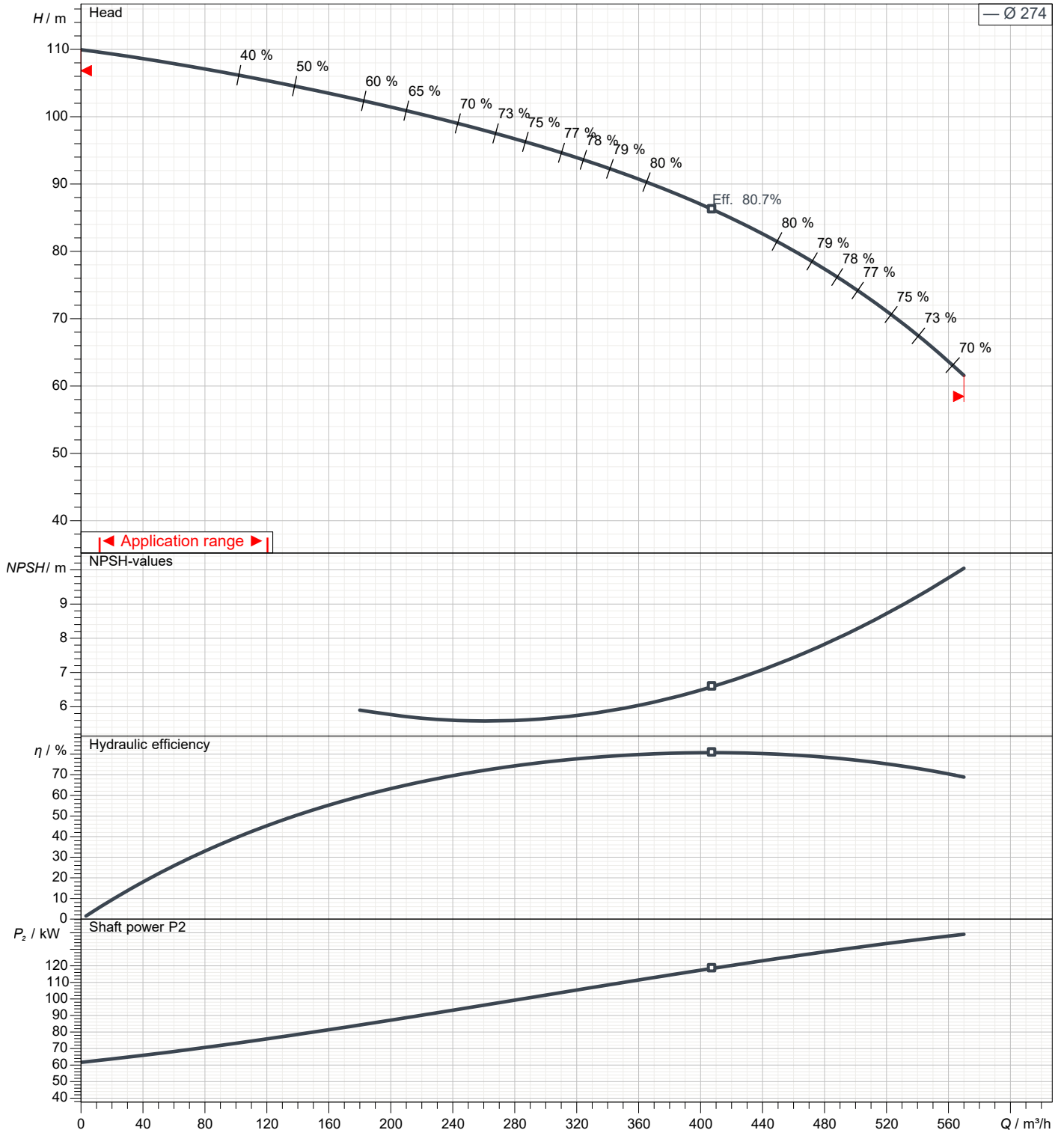
| | | | |
|---|---------------|-------------------|--|
| 1 | Flow | m ³ /h | |
| 2 | Head | m | |
| 3 | Geodetic head | m | |

Pump

| | | | | |
|----------------------------|-------------------|-----------------|-----|------|
| Operating Flow | m ³ /h | Frequency | Hz | 50 |
| Operating Head | m | Number of poles | | 2 |
| Impeller Diameter Designed | mm | Speed | rpm | 2900 |
| | 274 | | | |

Test standard: ISO 9906:2012 - Grade3B

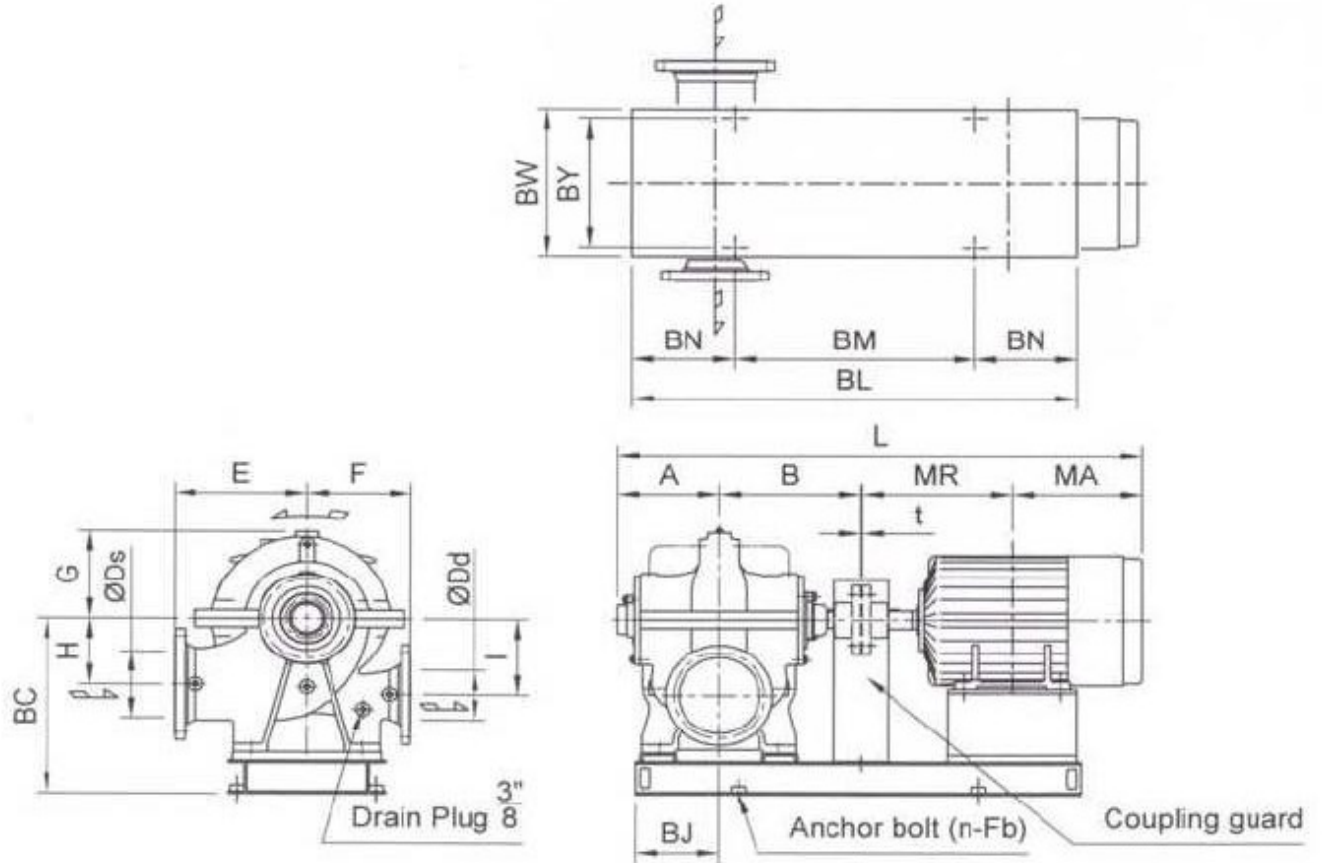
Water; 20°C; 998.3kg/m³; 1.005mm²/s



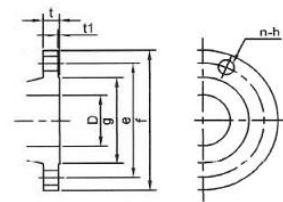
Dimensions

Pump name 150x125 CN2GA 5 150

| | | |
|----------|-----------------|-----------|
| Customer | Date 2021-05-13 | Company |
| Contact | Item no. | Issued by |
| Phone | Project | Phone |
| E-mail | Project ID | E-mail |



Flange Dimension - Flange (JIS 16K RF)



Total weight : 1517 kg

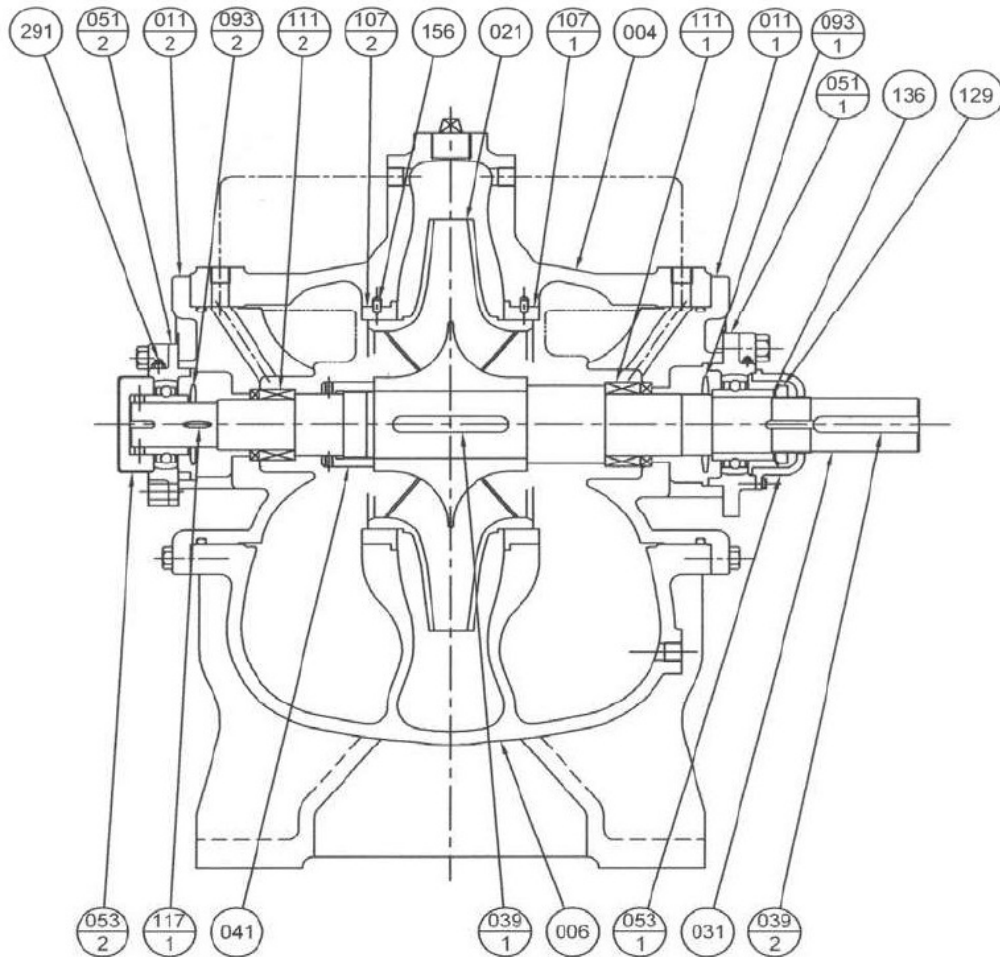
| Pump dimensions | | | | Suction side | | Discharge side | |
|-----------------|-------|----|---------|--------------|---------|----------------|---------|
| mm | | | | mm | | mm | |
| A | 262 | H | 190 | D | 150 | D | 125 |
| B | 395 | l | 190 | e | 260 | e | 225 |
| BC | 530 | L | 1798 | f | 305 | f | 270 |
| BJ | 225 | MA | 552.5 | g | 230 | g | 195 |
| BL | 1560 | MR | 584.5 | h | 25 | h | 23 |
| BM | 2x565 | n | 6 (Num) | n Num | 8 (Num) | n Num | 8 (Num) |
| BN | 215 | t | 4 | t | 28 | t | 26 |
| BW | 705 | | | t1 | 2 | t1 | 2 |
| BY | 635 | | | | | | |
| Dd | 125 | | | | | | |
| Ds | 150 | | | | | | |
| E | 330 | | | | | | |
| F | 260 | | | | | | |
| Fb | M22 | | | | | | |
| G | 224 | | | | | | |

(1/2)

Construction

Pump name 150x125 CN2GA 5 150

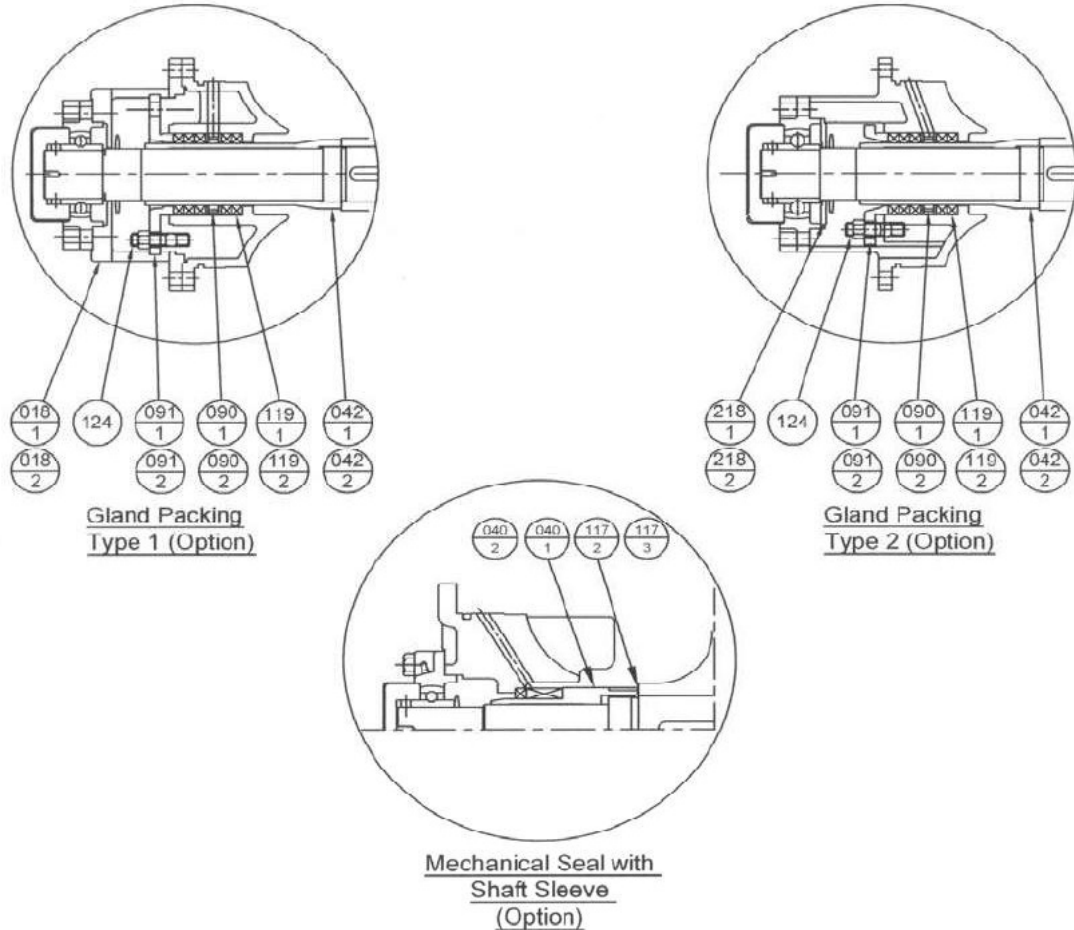
| | | |
|----------|-----------------|-----------|
| Customer | Date 2021-05-13 | Company |
| Contact | Item no. | Issued by |
| Phone | Project | Phone |
| E-mail | Project ID | E-mail |



Mechanical Seal Type (Standard)

| | | | | | | | |
|------------|-------------------|-----------------|------------|---------------|----------------------|-----------------|------------|
| 051-2 | Bearing Unit | FC200 | 1 | 291 | Grease Nipple | C3604BD-F | 2 |
| 051-1 | Bearing Unit | | | 156 | Lock Pin | SUS304 | |
| 041 | Impeller Nut | BC6 | | 136 | Bearing Washer | SS400 | 1 |
| 039-2 | Coupling Key | S50C | | 129 | Bearing Nut | | |
| 039-1 | Impeller Key | 316 Stainless | | 117-1 | Gasket (Casing) | V#6500 | |
| 031 | Shaft | Steel | | 111-2 | Mechanical Seal | - | |
| 021 | Impeller | BC6 | | 111-1 | Mechanical Seal | - | |
| 011-2 | Side Cover | FC250 | | 107 | Casing Wear Ring | BC6 | 2 |
| 011-1 | Side Cover | | | 093-2 | Deflector (CCP Side) | Rubber | 1 |
| 006 | Casing Lower Half | | | 093-1 | Deflector (CP Side) | | |
| 004 | Casing Upper Half | | | 053-2 | Bearing Cover | FC200 | |
| | | 053-1 | | Bearing Cover | | | |
| No. | Part Name | Material | Qty | No. | Part Name | Material | Qty |

| | | |
|----------|-----------------|-----------|
| Customer | Date 2021-05-13 | Company |
| Contact | Item no. | Issued by |
| Phone | Project | Phone |
| E-mail | Project ID | E-mail |



Gland Packing Type 2 (Option)

| | | | | | | | |
|-------|--------------------------------|-----------|---|-------|--------------------------|------------------|---|
| 042-2 | Shaft Sleeve (CCP Side) | BC6 | 1 | 119-2 | Gland Packing (CCP Side) | Carbonised Fiber | 5 |
| 042-1 | Shaft Sleeve (CP Side) | | | 119-1 | Gland Packing (CP Side) | Carbonised Fiber | 5 |
| 218-2 | Bearing Cover Plate (CCP Side) | FC150 | 1 | 090-2 | Lantern Ring (CCP Side) | BC6 | 1 |
| 218-1 | Bearing Cover Plate (CP Side) | | | 090-1 | Lantern Ring (CP Side) | | |
| 124 | Gland Bolt | C3604BD-F | 4 | 091-2 | Gland (CCP Side) | | |
| | | | | 091-1 | Gland (CP Side) | | |

Gland Packing Type 1 (Option)

| | | | | | | | |
|-------|----------------------------|-----------|---|-------|--------------------------|------------------|---|
| 042-2 | Shaft Sleeve (CCP Side) | BC6 | 1 | 119-2 | Gland Packing (CCP Side) | Carbonised Fiber | 5 |
| 042-1 | Shaft Sleeve (CP Side) | | | 119-1 | Gland Packing (CP Side) | Carbonised Fiber | 5 |
| 018-2 | Bearing Support (CCP Side) | FC200 | 1 | 090-2 | Lantern Ring (CCP Side) | BC6 | 1 |
| 018-1 | Bearing Support (CP Side) | | | 090-1 | Lantern Ring (CP Side) | | |
| 124 | Gland Bolt | C3604BD-F | 4 | 091-2 | Gland (CCP Side) | | |
| | | | | 091-1 | Gland (CP Side) | | |

Mechanical Seal with Shaft Sleeve Type (Option)

| | | | | | | | |
|------------|-------------------------|-----------------|------------|------------|--------------------------|-----------------|------------|
| 040-2 | Shaft Sleeve (CCP Side) | BC6 | 1 | 117-3 | Sleeve Gasket (CCP Side) | V#6500 | 1 |
| 040-1 | Shaft Sleeve (CP Side) | BC6 | | 117-2 | Sleeve Gasket (CP Side) | V#6500 | |
| No. | Part Name | Material | Qty | No. | Part Name | Material | Qty |