

Technical data

Pump name

250x150 CNKA 5 220

Customer	Date	2021-05-14	Company
Contact	Item no.		Issued by
Phone	Project		Phone
E-mail	Project ID		E-mail

Requested data

1	Pump type	Horizontal Split Casing	Fluid	Water
2	Number of pumps / Reserve	1 / 0	Liquid temperature	°C 20
3	Flow	m³/h	Kin. viscosity	mm²/s 1.005
4	Head	m	Vapour pressure	kPa 2.34
5	Geodetic head	m	PH value	
6	Inlet pressure (pin)	kPa 0	Density	kg/m³ 998.3
7	Available system NPSH		Solids	Weight % 0
8	Ambient temperature	°C 20		

Pump

9	Pump name	250x150 CNKA 5 220	Frequency	Hz 50
10	Design	Horizontal Split Casing	Installation type	with base, motor
11	Manufacturer	EBARA	Impeller Diameter	Max. mm 638
12	Speed	rpm 1450		Designed mm 638
13	No. of Stage	1		Min. mm 517
14	Connection Suction side	JIS 16K	Flow	Operating m³/h
15	Connection Discharge side	JIS 16K		Max- m³/h 545
16	Max Working Pressure	kPa 1600		Min- m³/h 0
17	Shut-off head	kPa 1407.22	Head	Operating m
18	Total weight	kg See the table of "Dimensions".		- (Qmax.) m 97.7
19	Shaft power	kW		- (Qmin.) m 143.7
20			Max. Shaft Power at max. impeller	kW
21	Required pump NPSH	m	Efficiency	%

Materials

22	Casing	Cast iron	
23	Impeller	Bronze	
24	Shaft	316 Stainless steel	
25	Shaft sleeve	.	
26	Mechanical seal	.	
27	Ball bearing	.	

Motor

28	Manufacturer	TECO	Insulation class	F
29	Type	315AB_B3_220_3_380	Phases	3~
30	Specific design	TEFC / 50 Hz / Pole pairs 2	Frame size	315 AB
31	Rated power	kW 220	Weight	kg 1450
32	Number of poles	4	Electric voltage	V 380
33	Speed	rpm 1475	Electric current	A 394
34	Degree of protection	IP54		
35				

Remarks

Performance curve

Pump name

250x150 CNKA 5 220

Customer	Date 2021-05-14	Company
Contact	Item no.	Issued by
Phone	Project	Phone
E-mail	Project ID	E-mail

Requested data

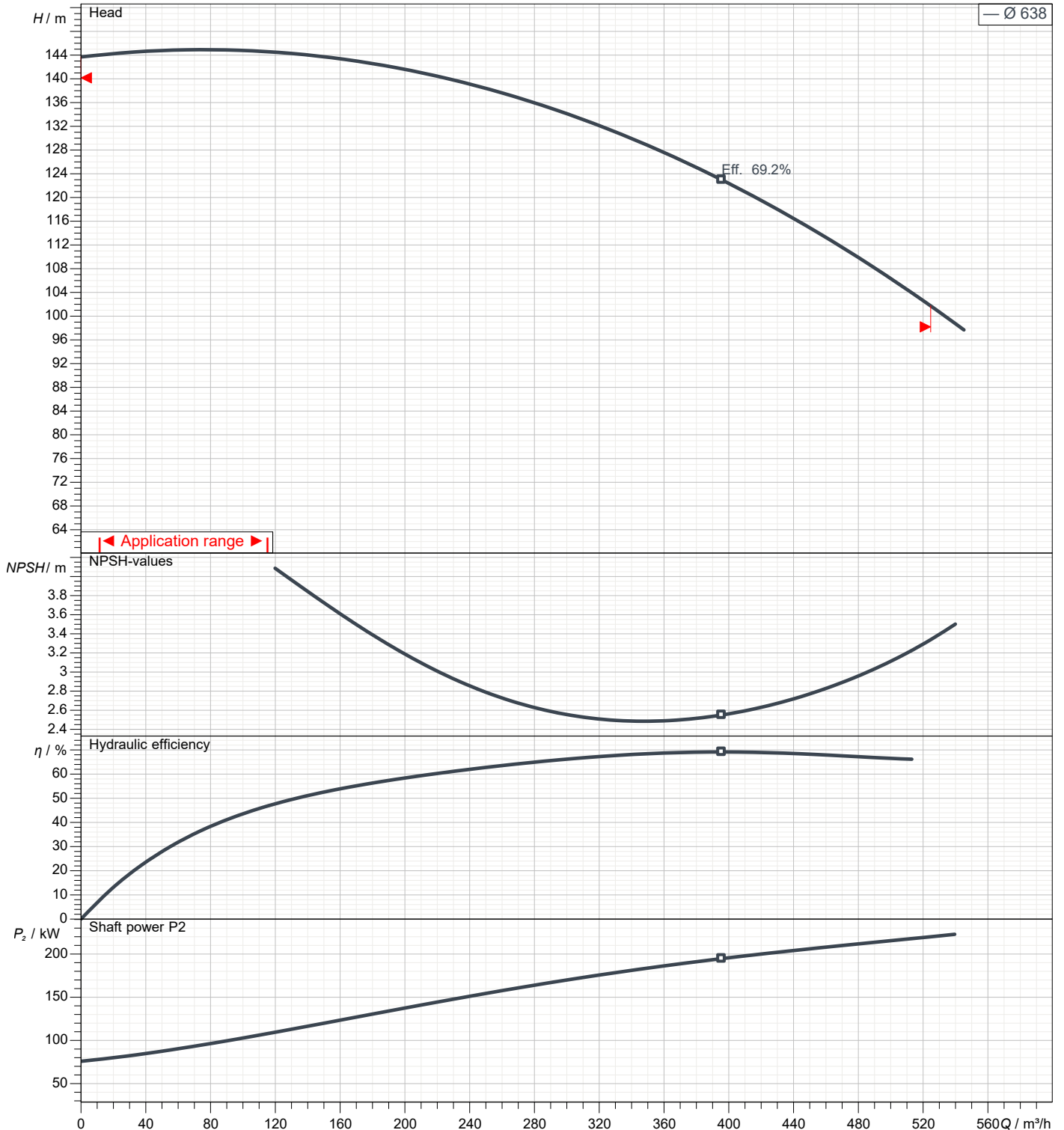
1	Flow	m³/h	
2	Head	m	
3	Geodetic head	m	

Pump

Operating Flow	m³/h	Frequency	Hz	50	
Operating Head	m	Number of poles		4	
Impeller Diameter Designed	mm	638	Speed	rpm	1450

Test standard: ISO 9906:2012 - Grade3B

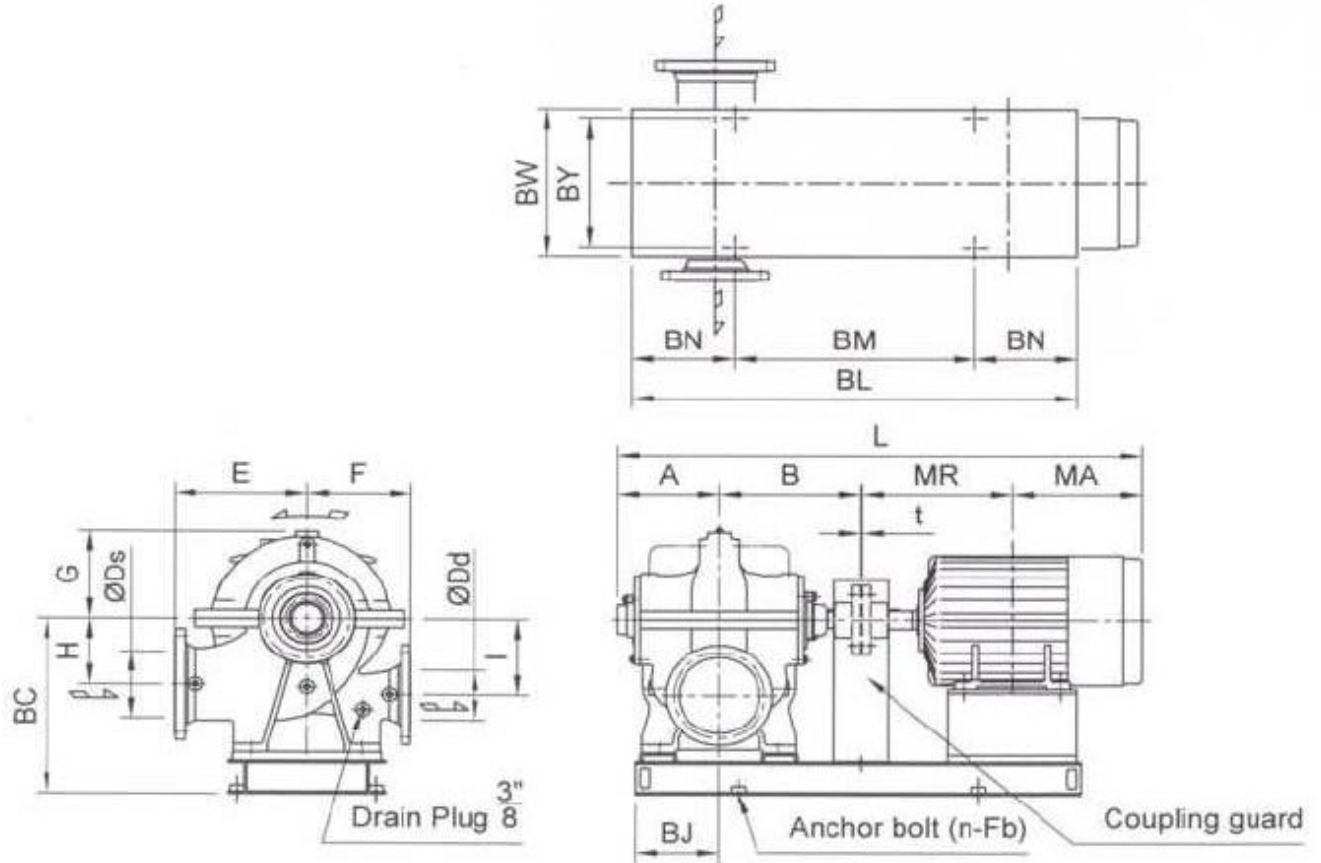
Water; 20°C; 998.3kg/m³; 1mm²/s



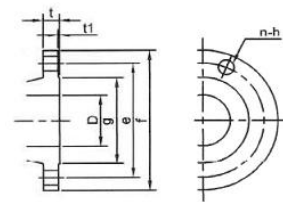
Dimensions

Pump name 250x150 CNKA 5 220

Customer	Date 2021-05-14	Company
Contact	Item no.	Issued by
Phone	Project	Phone
E-mail	Project ID	E-mail



Flange Dimension - Flange (JIS 16K RF)



Total weight : 2555 kg

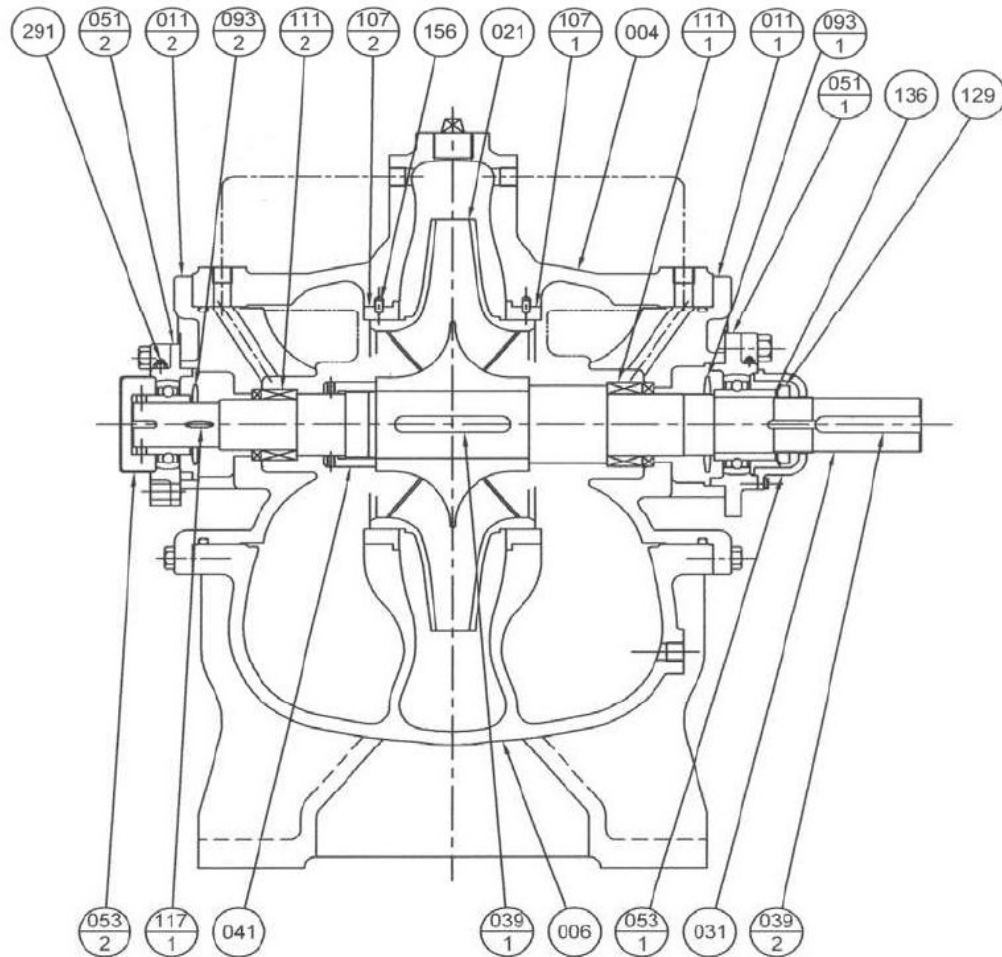
Pump dimensions				Suction side		Discharge side	
mm				mm		mm	
A	382	H	290	D	250	D	150
B	530	l	345	e	380	e	260
BC	666	L	2413	f	430	f	305
BJ	300	MA	830	g	345	g	230
BL	1910	MR	666	h	25	h	25
BM	2x740	n	6 (Num)	n Num	12 (Num)	n Num	8 (Num)
BN	215	t	5	t	34	t	28
BW	700			t1	2	t1	2
BY	640						
Dd	150						
Ds	250						
E	505						
F	430						
Fb	M20						
G	407						

(1/2)

Construction

Pump name 250x150 CNKA 5 220

Customer	Date 2021-05-14	Company
Contact	Item no.	Issued by
Phone	Project	Phone
E-mail	Project ID	E-mail



Mechanical Seal Type (Standard)

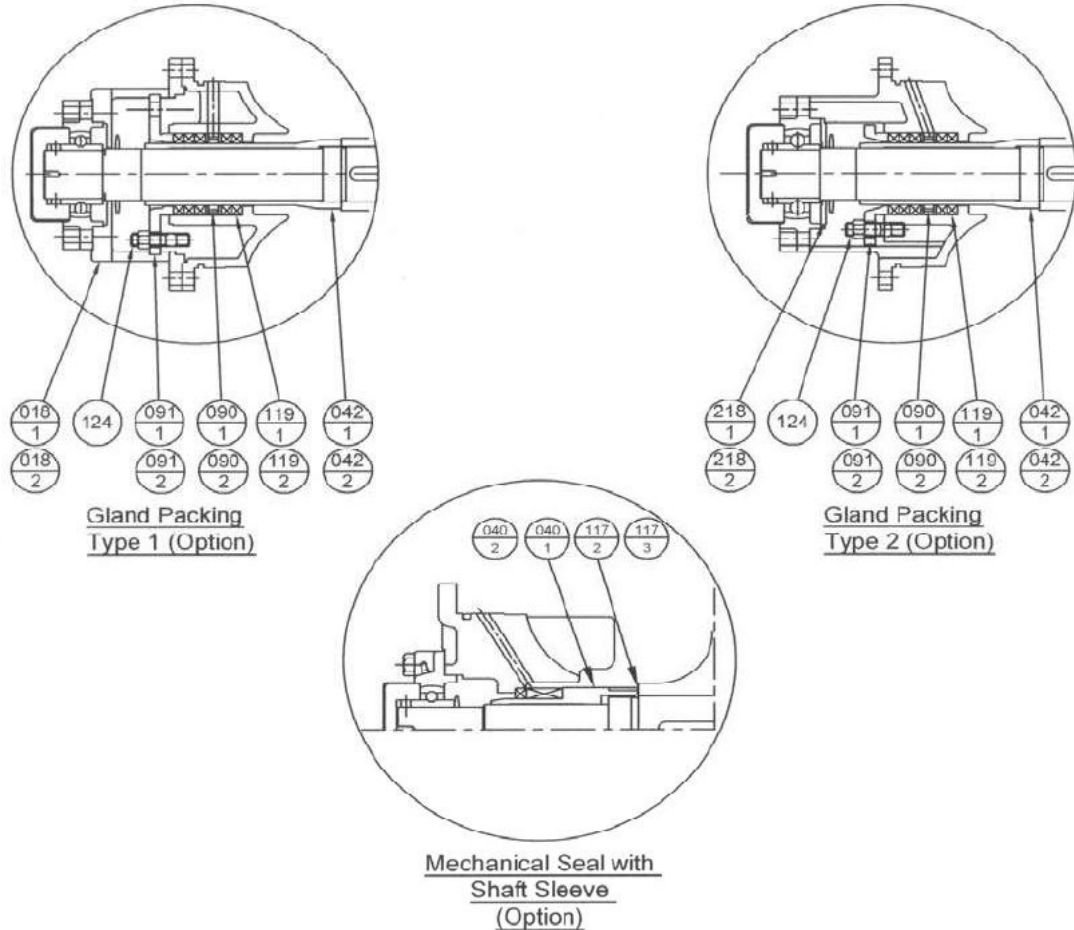
No.	Part Name	Material	Qty	No.	Part Name	Material	Qty
051-2	Bearing Unit	FC200	1	291	Grease Nipple	C3604BD-F	2
051-1	Bearing Unit			156	Lock Pin	SUS304	
041	Impeller Nut	BC6		136	Bearing Washer	SS400	
039-2	Coupling Key	S50C		129	Bearing Nut		
039-1	Impeller Key	316 Stainless		117-1	Gasket (Casing)	V#6500	1
031	Shaft	Steel		111-2	Mechanical Seal	-	
021	Impeller	BC6		111-1	Mechanical Seal	-	
011-2	Side Cover	FC250		107	Casing Wear Ring	BC6	2
011-1	Side Cover			093-2	Deflector (CCP Side)	Rubber	
006	Casing Lower Half			093-1	Deflector (CP Side)		
004	Casing Upper Half			053-2	Bearing Cover	FC200	
		053-1		Bearing Cover			

(2/2)

Construction

Pump name 250x150 CNKA 5 220

Customer	Date 2021-05-14	Company
Contact	Item no.	Issued by
Phone	Project	Phone
E-mail	Project ID	E-mail



Gland Packing Type 2 (Option)

042-2	Shaft Sleeve (CCP Side)	BC6	1	119-2	Gland Packing (CCP Side)	Carbonised Fiber	5
042-1	Shaft Sleeve (CP Side)			119-1	Gland Packing (CP Side)	Carbonised Fiber	5
218-2	Bearing Cover Plate (CCP Side)	FC150	1	090-2	Lantern Ring (CCP Side)	BC6	1
218-1	Bearing Cover Plate (CP Side)			090-1	Lantern Ring (CP Side)		
124	Gland Bolt	C3604BD-F	4	091-2	Gland (CCP Side)		
				091-1	Gland (CP Side)		

Gland Packing Type 1 (Option)

042-2	Shaft Sleeve (CCP Side)	BC6	1	119-2	Gland Packing (CCP Side)	Carbonised Fiber	5
042-1	Shaft Sleeve (CP Side)			119-1	Gland Packing (CP Side)	Carbonised Fiber	5
018-2	Bearing Support (CCP Side)	FC200	1	090-2	Lantern Ring (CCP Side)	BC6	1
018-1	Bearing Support (CP Side)			090-1	Lantern Ring (CP Side)		
124	Gland Bolt	C3604BD-F	4	091-2	Gland (CCP Side)		
				091-1	Gland (CP Side)		

Mechanical Seal with Shaft Sleeve Type (Option)

040-2	Shaft Sleeve (CCP Side)	BC6	1	117-3	Sleeve Gasket (CCP Side)	V#6500	1
040-1	Shaft Sleeve (CP Side)	BC6		117-2	Sleeve Gasket (CP Side)	V#6500	
No.	Part Name	Material	Qty	No.	Part Name	Material	Qty