

Technical data

Pump name

250x200 CNFA 5 30

Customer	Date	2021-05-14	Company
Contact	Item no.		Issued by
Phone	Project		Phone
E-mail	Project ID		E-mail

Requested data

1	Pump type	Horizontal Split Casing	Fluid	Water
2	Number of pumps / Reserve	1 / 0	Liquid temperature	°C
3	Flow	m ³ /h	Kin. viscosity	mm ² /s
4	Head	m	Vapour pressure	kPa
5	Geodetic head	m	PH value	
6	Inlet pressure (pin)	kPa	Density	kg/m ³
7	Available system NPSH		Solids	Weight %
8	Ambient temperature	°C		

Pump

9	Pump name	250x200 CNFA 5 30	Frequency	Hz	50	
10	Design	Horizontal Split Casing	Installation type		with base, motor	
11	Manufacturer	EBARA	Impeller Diameter	Max.	mm	
12	Speed	rpm		1450	Designed	mm
13	No. of Stage	1		Min.	mm	244
14	Connection	Suction side	JIS	16K	Flow	
15	Connection	Discharge side	JIS	16K		Operating
16	Max Working Pressure	kPa	1600	Max-		m ³ /h
17	Shut-off head	kPa	291.56	Min-	m ³ /h	
18	Total weight	kg	See the table of "Dimensions".	Head	Operating	
19	Shaft power	kW			- (Qmax.)	m
20					- (Qmin.)	m
21	Required pump NPSH	m		Max. Shaft Power at max. impeller	kW	
				Efficiency	%	

Materials

22	Casing	Cast iron	
23	Impeller	Bronze	
24	Shaft	316 Stainless steel	
25	Shaft sleeve	.	
26	Mechanical seal	.	
27	Ball bearing	.	

Motor

28	Manufacturer	TECO	Insulation class	F	
29	Type	200LC_B3_30_3_400	Phases	3~	
30	Specific design	TEFC / 50 Hz / Pole pairs 2	Frame size	200 LC	
31	Rated power	kW	30	Weight	kg
32	Number of poles	4	Electric voltage	V	400
33	Speed	rpm	1470	Electric current	A
34	Degree of protection	IP 55			
35					

Remarks

Performance curve

Pump name

250x200 CNFA 5 30

Customer	Date 2021-05-14	Company
Contact	Item no.	Issued by
Phone	Project	Phone
E-mail	Project ID	E-mail

Requested data

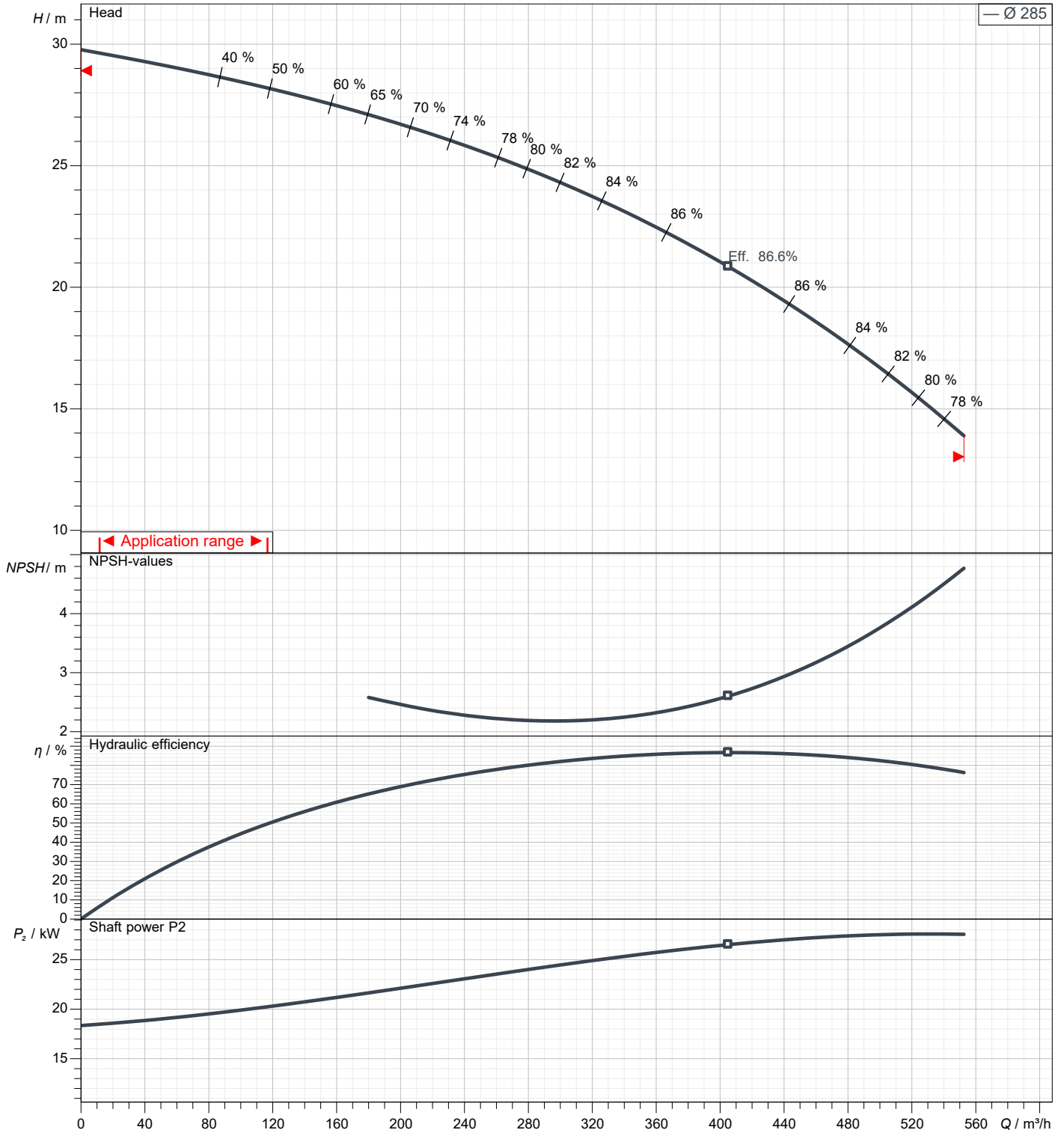
1	Flow	m ³ /h	
2	Head	m	
3	Geodetic head	m	

Pump

Operating Flow	m ³ /h	Frequency	Hz	50
Operating Head	m	Number of poles		4
Impeller Diameter Designed	mm	285	Speed	rpm 1450

Test standard: ISO 9906:2012 - Grade3B

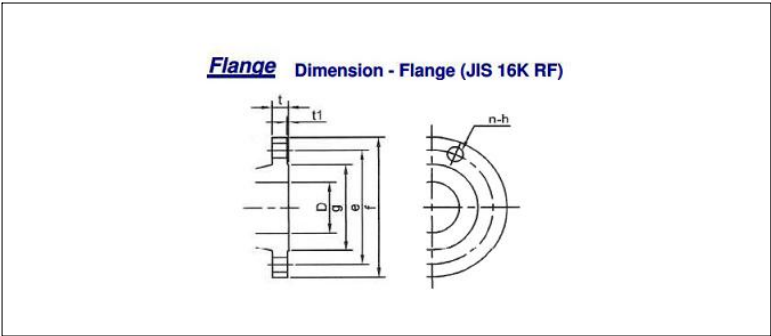
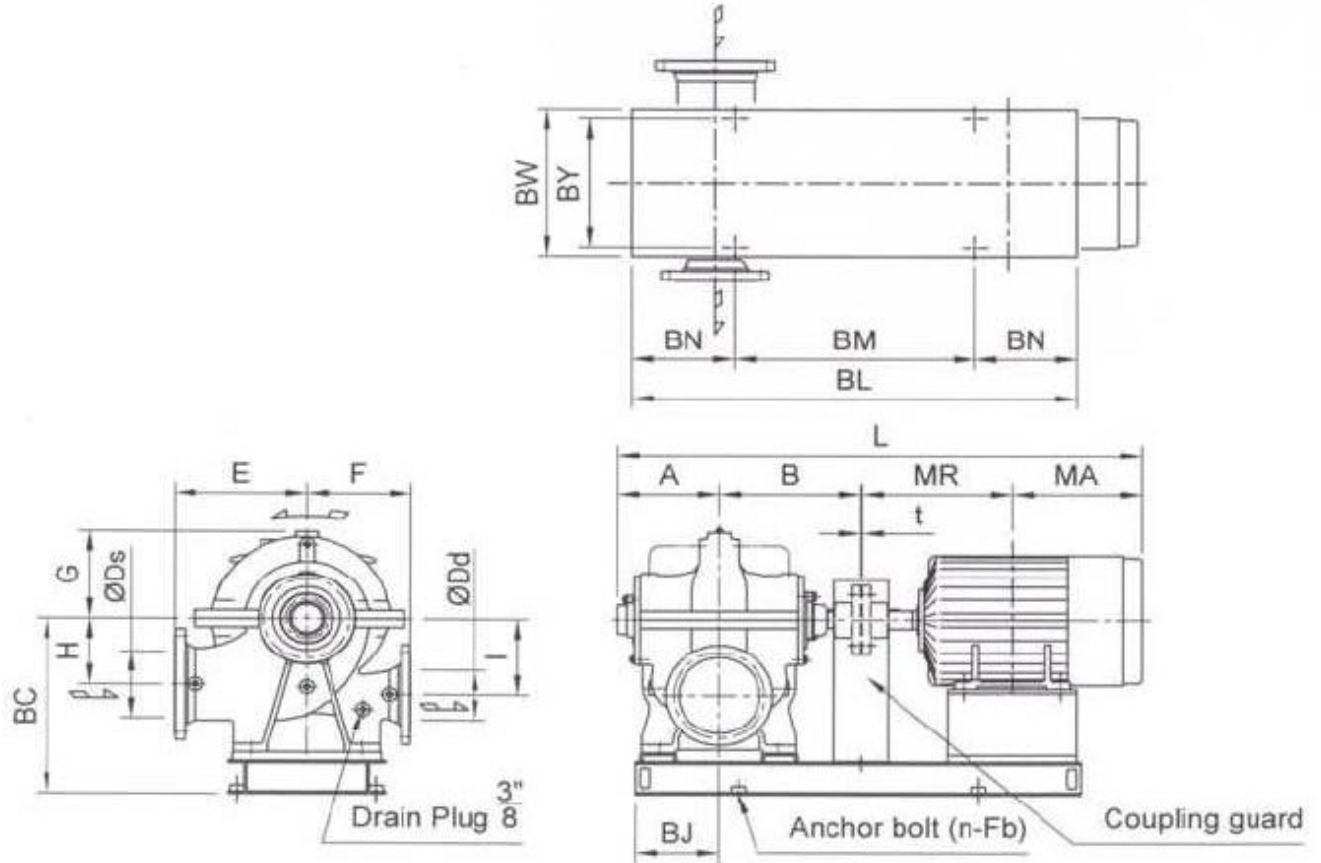
Water; 20°C; 998.3kg/m³; 1mm²/s



Dimensions

Pump name 250x200 CNFA 5 30

Customer	Date 2021-05-14	Company
Contact	Item no.	Issued by
Phone	Project	Phone
E-mail	Project ID	E-mail



Total weight : 767 kg

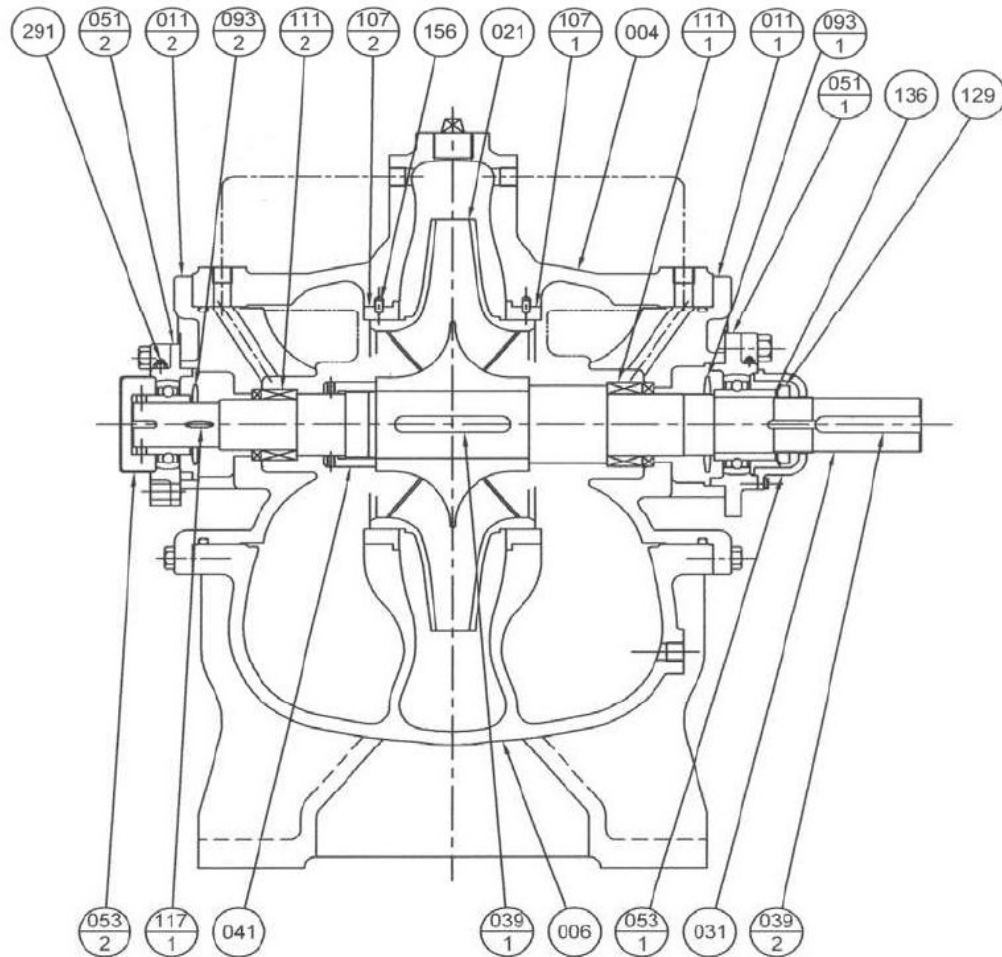
Pump dimensions				Suction side		Discharge side	
mm				mm		mm	
A	282	H	210	D	250	D	200
B	395	l	210	e	380	e	305
BC	541	L	1451	f	430	f	350
BJ	260	MA	374.5	g	345	g	275
BL	1260	MR	395.5	h	25	h	25
BM	830	n	4 (Num)	n Num	12 (Num)	n Num	12 (Num)
BN	215	t	4	t	34	t	28
BW	500			t1	2	t1	2
BY	450						
Dd	200						
Ds	250						
E	395						
F	315						
Fb	M16						
G	247						

(1/2)

Construction

Pump name 250x200 CNFA 5 30

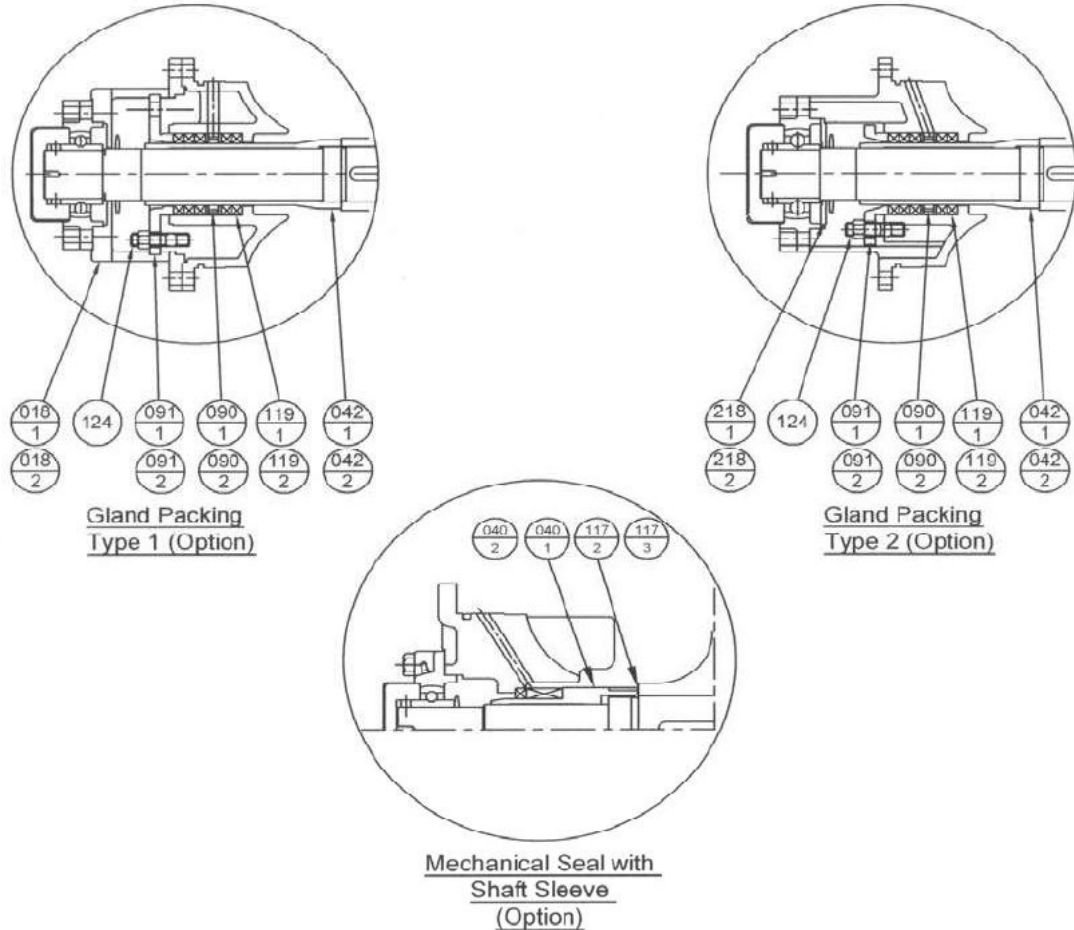
Customer	Date 2021-05-14	Company
Contact	Item no.	Issued by
Phone	Project	Phone
E-mail	Project ID	E-mail



Mechanical Seal Type (Standard)

051-2	Bearing Unit	FC200	1	291	Grease Nipple	C3604BD-F	2
051-1	Bearing Unit			156	Lock Pin	SUS304	
041	Impeller Nut	BC6		136	Bearing Washer	SS400	1
039-2	Coupling Key	S50C		129	Bearing Nut		
039-1	Impeller Key	316 Stainless		117-1	Gasket (Casing)	V#6500	
031	Shaft	Steel		111-2	Mechanical Seal	-	
021	Impeller	BC6		111-1	Mechanical Seal	-	
011-2	Side Cover	FC250		107	Casing Wear Ring	BC6	2
011-1	Side Cover			093-2	Deflector (CCP Side)	Rubber	1
006	Casing Lower Half			093-1	Deflector (CP Side)		
004	Casing Upper Half			053-2	Bearing Cover	FC200	
				053-1	Bearing Cover		
No.	Part Name	Material	Qty	No.	Part Name	Material	Qty

Customer	Date 2021-05-14	Company
Contact	Item no.	Issued by
Phone	Project	Phone
E-mail	Project ID	E-mail



Gland Packing Type 2 (Option)

042-2	Shaft Sleeve (CCP Side)	BC6	1	119-2	Gland Packing (CCP Side)	Carbonised Fiber	5
042-1	Shaft Sleeve (CP Side)			119-1	Gland Packing (CP Side)	Carbonised Fiber	5
218-2	Bearing Cover Plate (CCP Side)	FC150	1	090-2	Lantern Ring (CCP Side)	BC6	1
218-1	Bearing Cover Plate (CP Side)			090-1	Lantern Ring (CP Side)		
124	Gland Bolt	C3604BD-F	4	091-2	Gland (CCP Side)		
				091-1	Gland (CP Side)		

Gland Packing Type 1 (Option)

042-2	Shaft Sleeve (CCP Side)	BC6	1	119-2	Gland Packing (CCP Side)	Carbonised Fiber	5
042-1	Shaft Sleeve (CP Side)			119-1	Gland Packing (CP Side)	Carbonised Fiber	5
018-2	Bearing Support (CCP Side)	FC200	1	090-2	Lantern Ring (CCP Side)	BC6	1
018-1	Bearing Support (CP Side)			090-1	Lantern Ring (CP Side)		
124	Gland Bolt	C3604BD-F	4	091-2	Gland (CCP Side)		
				091-1	Gland (CP Side)		

Mechanical Seal with Shaft Sleeve Type (Option)

040-2	Shaft Sleeve (CCP Side)	BC6	1	117-3	Sleeve Gasket (CCP Side)	V#6500	1
040-1	Shaft Sleeve (CP Side)	BC6		117-2	Sleeve Gasket (CP Side)	V#6500	
No.	Part Name	Material	Qty	No.	Part Name	Material	Qty