

# Technical data

Pump name

300x150 CNJA 5 300

Customer	Date	2021-05-14	Company
Contact	Item no.		Issued by
Phone	Project		Phone
E-mail	Project ID		E-mail

## Requested data

1	Pump type	Horizontal Split Casing	Fluid	Water
2	Number of pumps / Reserve	1 / 0	Liquid temperature	°C
3	Flow	m <sup>3</sup> /h	Kin. viscosity	mm <sup>2</sup> /s
4	Head	m	Vapour pressure	kPa
5	Geodetic head	m	PH value	
6	Inlet pressure (pin)	kPa	Density	kg/m <sup>3</sup>
7	Available system NPSH		Solids	Weight %
8	Ambient temperature	°C		

## Pump

9	Pump name	300x150 CNJA 5 300	Frequency	Hz	50	
10	Design	Horizontal Split Casing	Installation type		with base, motor	
11	Manufacturer	EBARA	Impeller Diameter	Max.	mm	
12	Speed	rpm		1450	Designed	mm
13	No. of Stage	1		Min.	mm	469
14	Connection	Suction side	JIS	16K	Flow	
15	Connection	Discharge side	JIS	16K		Operating
16	Max Working Pressure	kPa	1600	Max-		m <sup>3</sup> /h
17	Shut-off head	kPa	1200.50	Head	Min-	
18	Total weight	kg	See the table of "Dimensions".		Operating	m
19	Shaft power	kW			- (Qmax.)	m
20				- (Qmin.)	m	
20			Max. Shaft Power at max. impeller	kW	286.83	
21	Required pump NPSH	m	Efficiency	%		

## Materials

22	Casing	Cast iron		
23	Impeller	Bronze		
24	Shaft	316 Stainless steel		
25	Shaft sleeve	.		
26	Mechanical seal	.		
27	Ball bearing	.		

## Motor

28	Manufacturer	TECO	Insulation class	F	
29	Type	315CB_B3_300_3_380	Phases	3~	
30	Specific design	TEFC / 50 Hz / Pole pairs 2	Frame size	315 CB_300	
31	Rated power	kW	300	Weight	kg
32	Number of poles	4	Electric voltage	V	380
33	Speed	rpm	1480	Electric current	A
34	Degree of protection	IP54			
35					

## Remarks

# Performance curve

Pump name

300x150 CNJA 5 300

Customer	Date	2021-05-14	Company
Contact	Item no.		Issued by
Phone	Project		Phone
E-mail	Project ID		E-mail

## Requested data

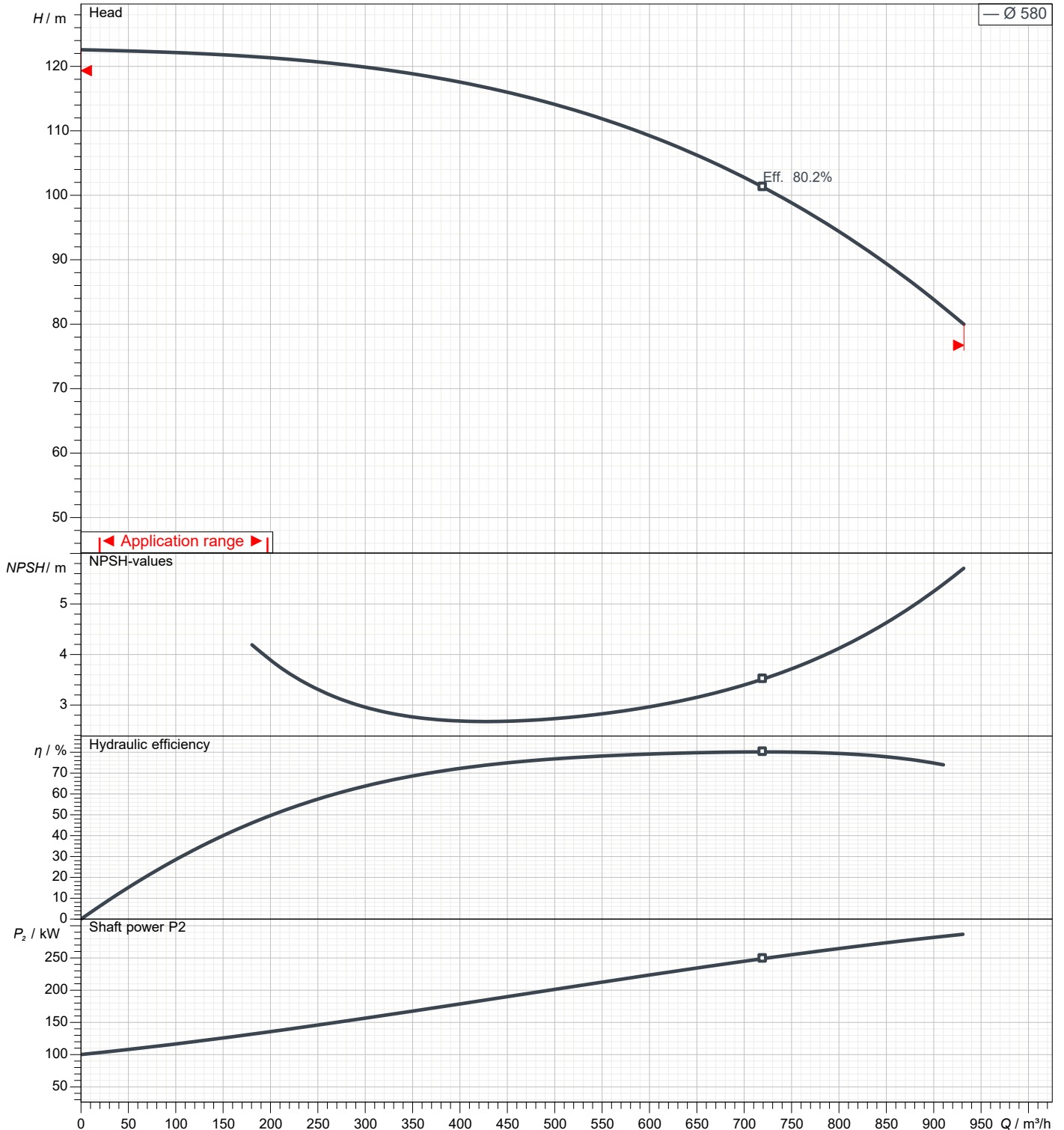
1	Flow	m³/h	
2	Head	m	
3	Geodetic head	m	

## Pump

Operating Flow	m³/h		Frequency	Hz	50
Operating Head	m		Number of poles		4
Impeller Diameter Designed	mm	580	Speed	rpm	1450

Test standard: ISO 9906:2012 - Grade3B

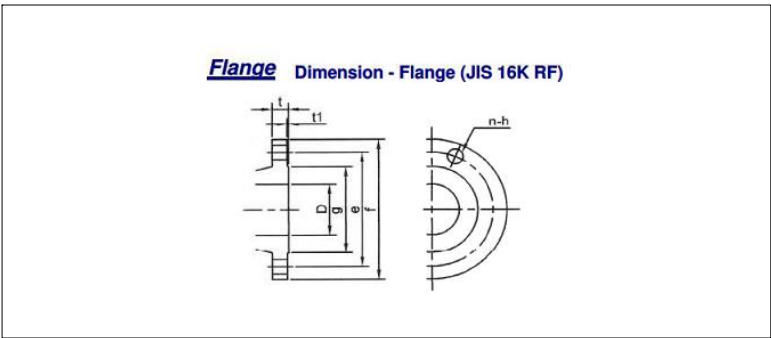
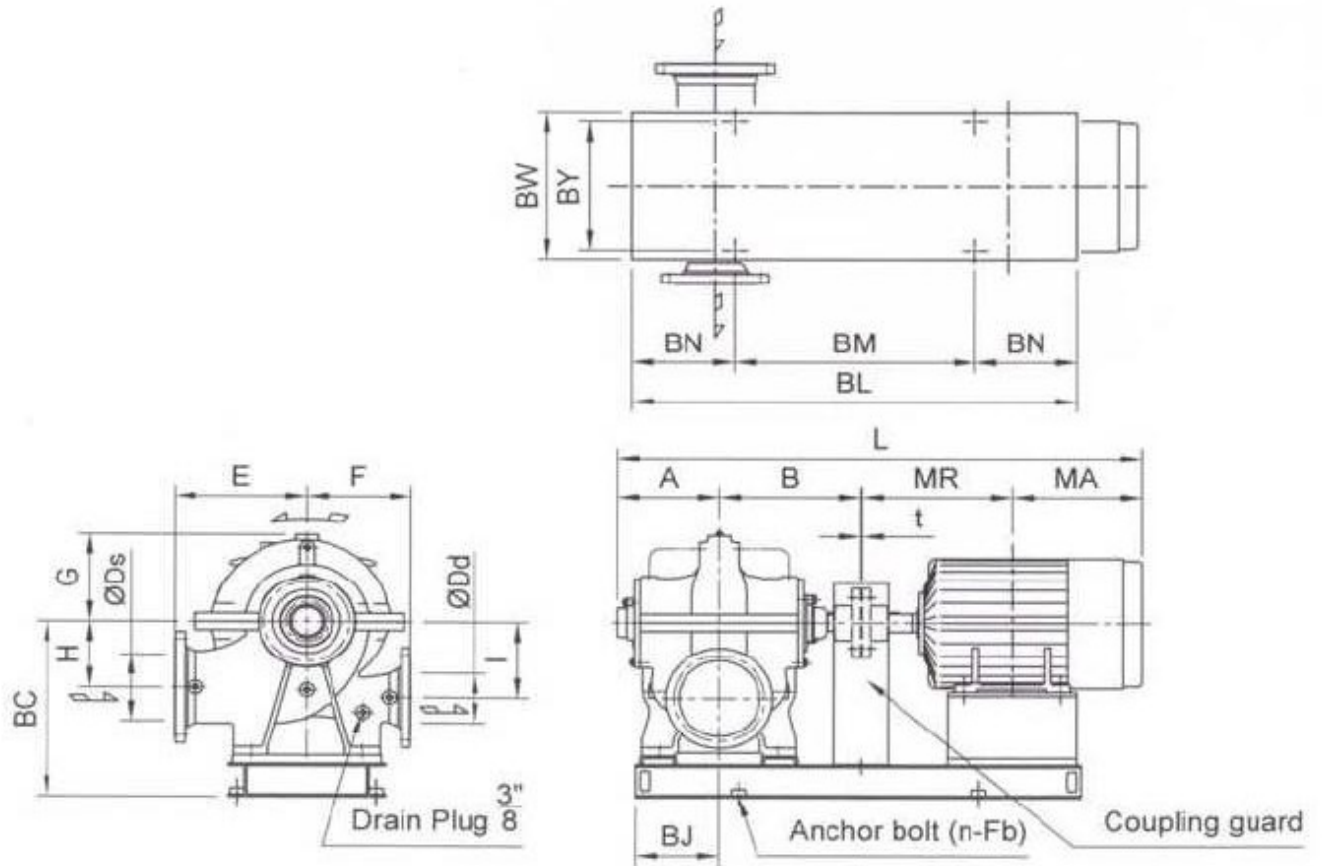
Water; 20°C; 998.3kg/m³; 1mm²/s



# Dimensions

Pump name 300x150 CNJA 5 300

Customer	Date 2021-05-14	Company
Contact	Item no.	Issued by
Phone	Project	Phone
E-mail	Project ID	E-mail



Total weight : 2865 kg

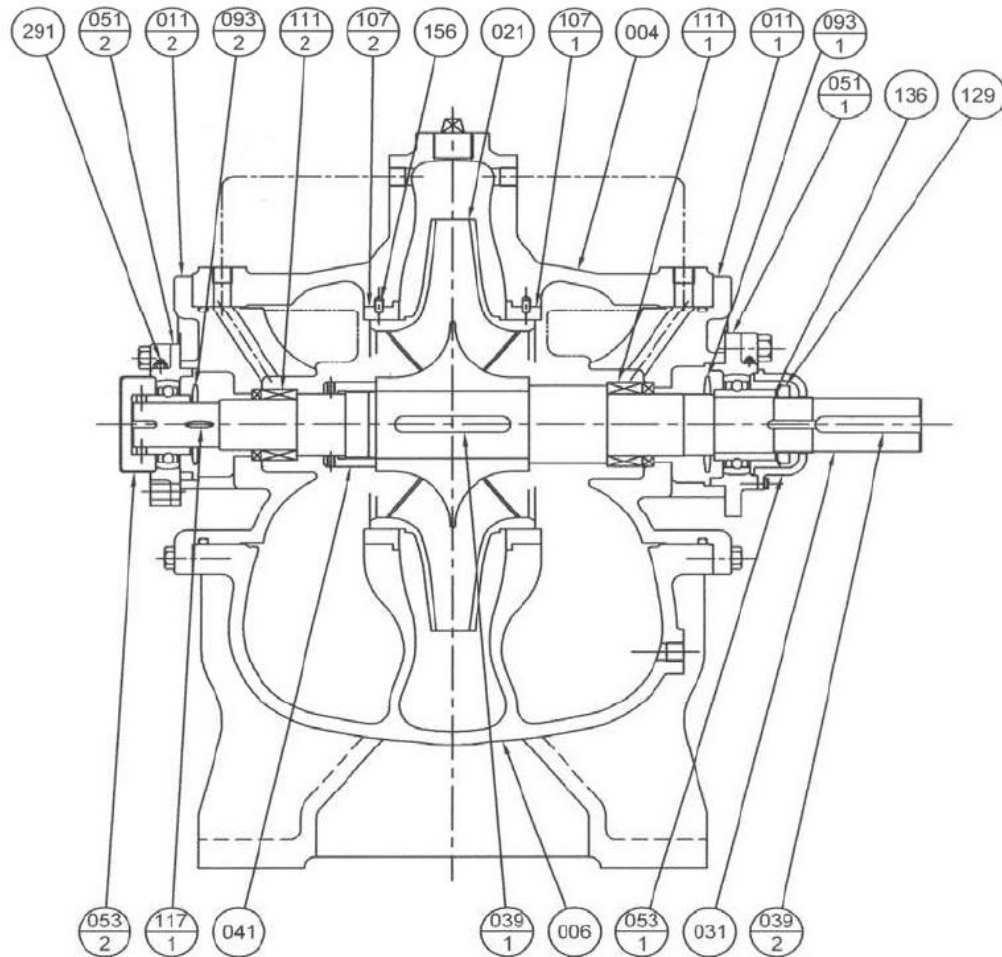
Pump dimensions				Suction side		Discharge side	
mm				mm		mm	
A	382	H	250	D	300	D	150
B	530	l	335	e	430	e	260
BC	666	L	2563	f	480	f	305
BJ	300	MA	905	g	395	g	230
BL	2060	MR	741	h	27	h	25
BM	2x755	n	6 (Num)	n Num	12 (Num)	n Num	8 (Num)
BN	275	t	5	t	36	t	28
BW	700			t1	3	t1	2
BY	640						
Dd	150						
Ds	300						
E	520						
F	405						
Fb	M22						
G	384						

(1/2)

# Construction

Pump name 300x150 CNJA 5 300

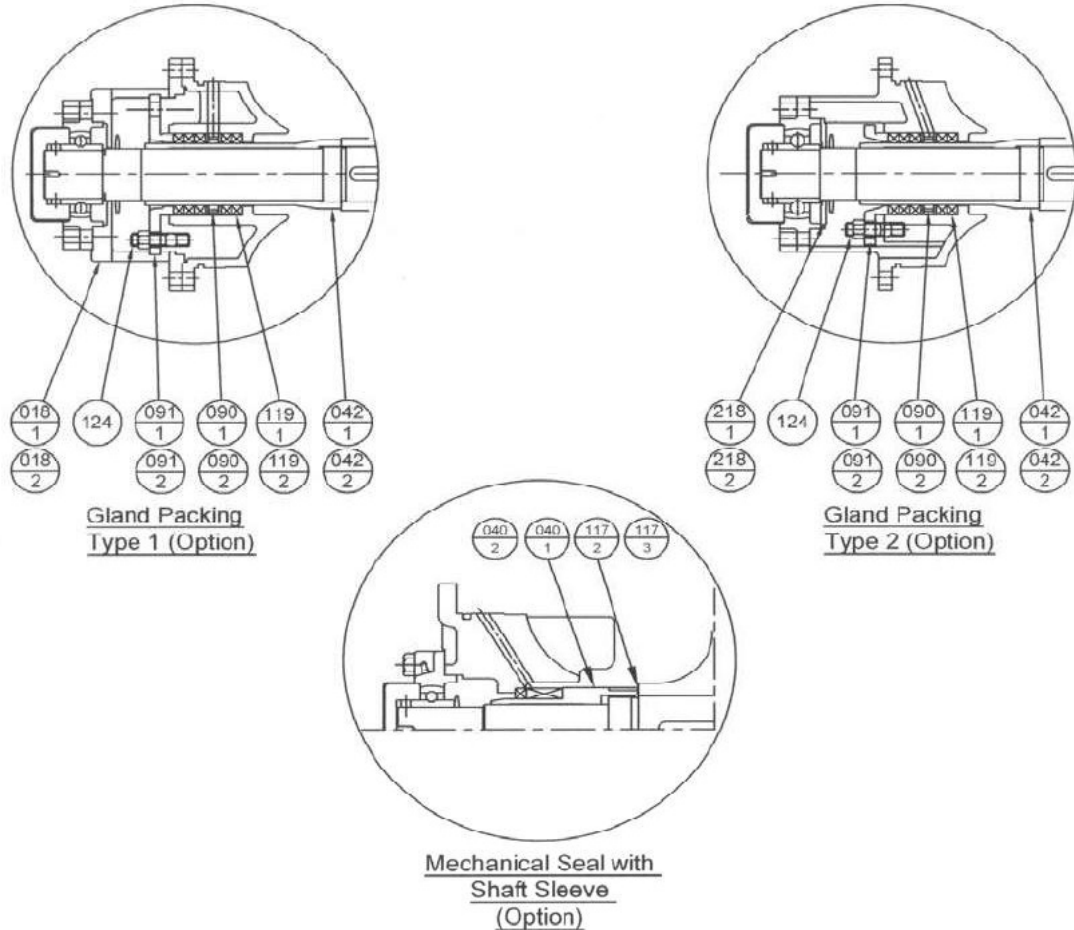
Customer	Date 2021-05-14	Company
Contact	Item no.	Issued by
Phone	Project	Phone
E-mail	Project ID	E-mail



### Mechanical Seal Type (Standard)

051-2	Bearing Unit	FC200	1	291	Grease Nipple	C3604BD-F	2
051-1	Bearing Unit			156	Lock Pin	SUS304	
041	Impeller Nut	BC6		136	Bearing Washer	SS400	1
039-2	Coupling Key	S50C		129	Bearing Nut		
039-1	Impeller Key	316 Stainless		117-1	Gasket (Casing)	V#6500	
031	Shaft	Steel		111-2	Mechanical Seal	-	
021	Impeller	BC6		111-1	Mechanical Seal	-	
011-2	Side Cover	FC250		107	Casing Wear Ring	BC6	2
011-1	Side Cover			093-2	Deflector (CCP Side)	Rubber	1
006	Casing Lower Half			093-1	Deflector (CP Side)		
004	Casing Upper Half			053-2	Bearing Cover	FC200	
		053-1		Bearing Cover			
<b>No.</b>	<b>Part Name</b>	<b>Material</b>	<b>Qty</b>	<b>No.</b>	<b>Part Name</b>	<b>Material</b>	<b>Qty</b>

Customer	Date 2021-05-14	Company
Contact	Item no.	Issued by
Phone	Project	Phone
E-mail	Project ID	E-mail



**Gland Packing Type 2 (Option)**

042-2	Shaft Sleeve (CCP Side)	BC6	1	119-2	Gland Packing (CCP Side)	Carbonised Fiber	5
042-1	Shaft Sleeve (CP Side)			119-1	Gland Packing (CP Side)	Carbonised Fiber	5
218-2	Bearing Cover Plate (CCP Side)	FC150	1	090-2	Lantern Ring (CCP Side)	BC6	1
218-1	Bearing Cover Plate (CP Side)			090-1	Lantern Ring (CP Side)		
124	Gland Bolt	C3604BD-F	4	091-2	Gland (CCP Side)		
				091-1	Gland (CP Side)		

**Gland Packing Type 1 (Option)**

042-2	Shaft Sleeve (CCP Side)	BC6	1	119-2	Gland Packing (CCP Side)	Carbonised Fiber	5
042-1	Shaft Sleeve (CP Side)			119-1	Gland Packing (CP Side)	Carbonised Fiber	5
018-2	Bearing Support (CCP Side)	FC200	1	090-2	Lantern Ring (CCP Side)	BC6	1
018-1	Bearing Support (CP Side)			090-1	Lantern Ring (CP Side)		
124	Gland Bolt	C3604BD-F	4	091-2	Gland (CCP Side)		
				091-1	Gland (CP Side)		

**Mechanical Seal with Shaft Sleeve Type (Option)**

040-2	Shaft Sleeve (CCP Side)	BC6	1	117-3	Sleeve Gasket (CCP Side)	V#6500	1
040-1	Shaft Sleeve (CP Side)	BC6		117-2	Sleeve Gasket (CP Side)	V#6500	
<b>No.</b>	<b>Part Name</b>	<b>Material</b>	<b>Qty</b>	<b>No.</b>	<b>Part Name</b>	<b>Material</b>	<b>Qty</b>