

## SPECIFICATION

50Hz

Rev. L

PUMP		
Liquid	Type of liquid	Clean water
Handled	Temperature	[°C]
		min. +5 max. +40 (CDA 0.75 - 1.00) max. +90
Maximum working pressure	[MPa]	0.6 (CDA 0.75-1.00)
		1.0 (CDA 1.50-2.00-3.00-4.00-5.50)
Construction	Impeller	Twin closed type
	Shaft seal type	Mechanical seal
	Bearing	Sealed ball bearing
Pipe Connection	Suction	G1 (CDA 0.75-1.00) UNI ISO 228 G1¼ (CDA 1.50-2.00-3.00) UNI ISO 228 G1½ (CDA 4.00-5.50) UNI ISO 228
	Discharge	G1 (CDA 0.75-1.00-1.50-2.00-3.00) UNI ISO 228 G1¼ (CDA 4.00-5.50) UNI ISO 228
Material	Casing	Cast iron
	Impeller	PPE+PS glass fibre reinforced (CDA 0.75-1.00) Brass (CDA 1.50 - 2.00-3.00-4.00-5.50)
	Casing cover	AISI 304 (CDA 0.75-1.00) Cast iron built-in the motor bracket (CDA 2.00-3.00-4.00-5.50)
	Shaft seal	Ceramic/Carbon/NBR
	Shaft	AISI 303 (CDA 0.75-1.00-1.50-2.00-3.00) AISI 304 (CDA 4.00-5.50)
	Bracket	Aluminium (CDA 0.75-1.00) Cast iron (CDA 1.50-2.00-3.00-4.00-5.50)
Applicable standard of test		ISO 9906:2012 – Grade 3B

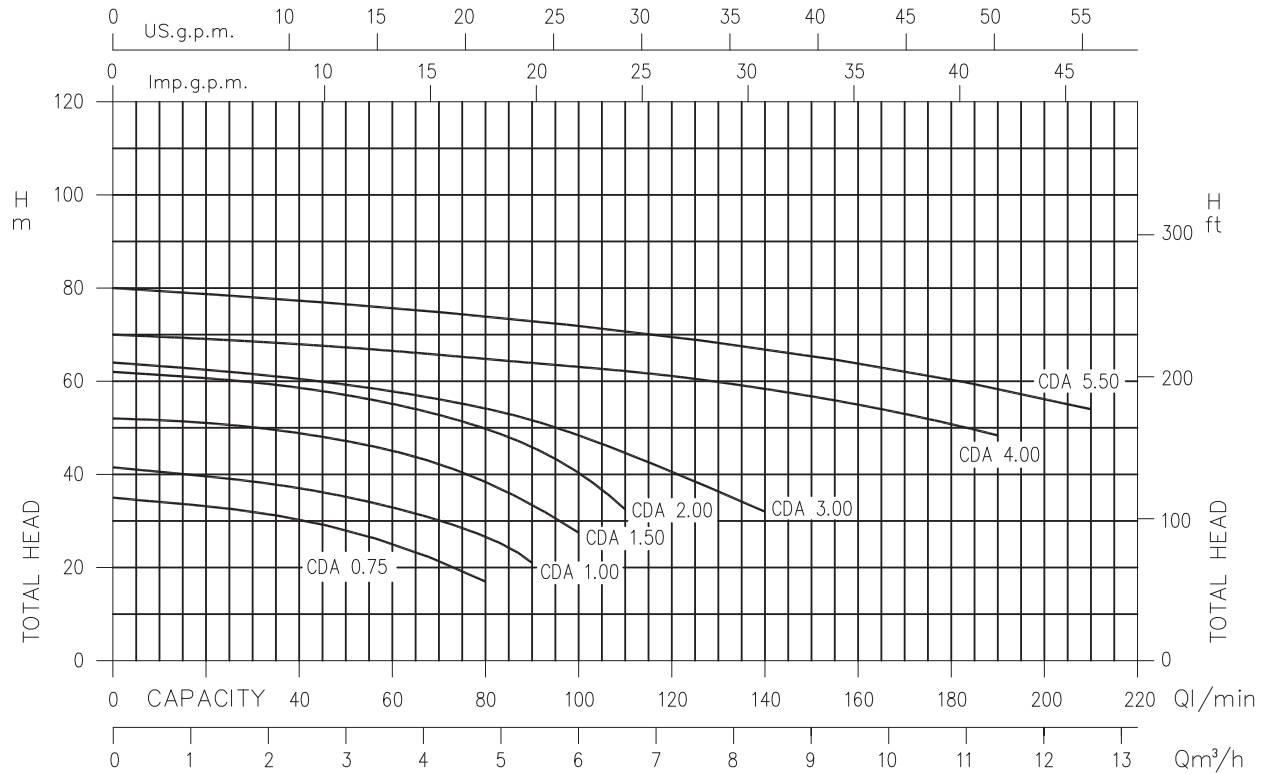
MOTOR		
Type	Electric - TEFC	
	Single Phase	Three Phase
Efficiency level (Reg. 640/2009)	-	- only for 0.55 kW IE2 from 0.75 kW up to 4.0 kW IE3 from 0.75 kW up to 4.0 kW
No. of Poles	2	
Rotation speed [min-1]	≈ 2850	
Insulation Class	F	
Protection degree (CEI EN 60034-5)	IP 44	
Power rating	[kW]	0.55 ÷ 1.5
	[HP]	0.75 ÷ 2
Frequency [Hz]	50	
Voltage [V]	230 ±10%	230/400 ±10%
Capacitor	Built in	-
Over load protection	Built in	Provided by the user
Casing material	Aluminium	
Base material / Motor support	Cast iron / Plastic foot	
Dimensions of cable entry	PG11 - PG13.5 - G 1/2 – M16x1.5 – M20x1.5 (see dimensions page 400)	

## SELECTION CHART

50Hz

Rev. L

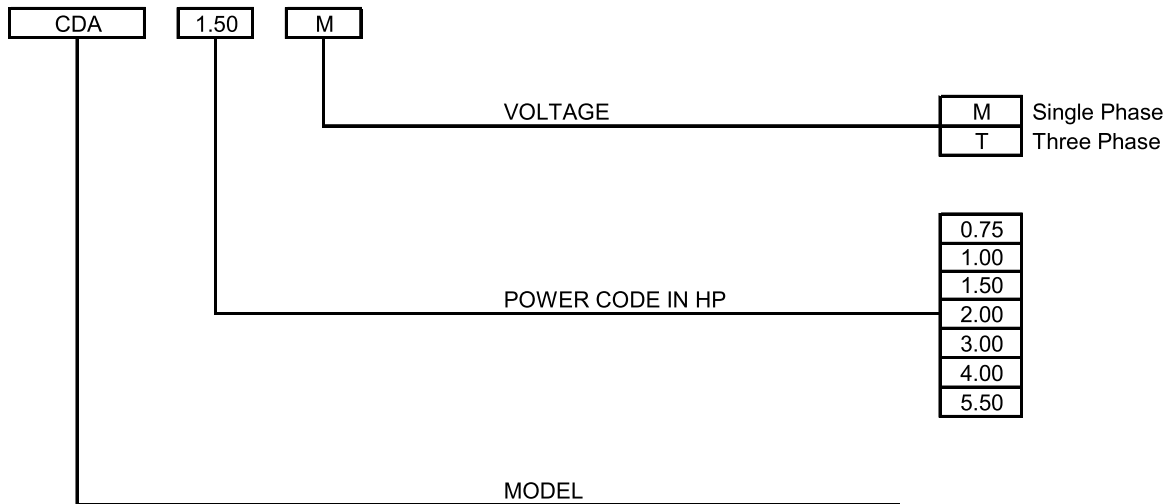
### PERFORMANCE RANGE



### SECTIONAL CHART

Pump type		Power		Q=Capacity												
Single Phase	Three Phase	[kW]	[HP]	l/min	20	40	50	80	90	100	110	140	170	190	210	
				m³/h	1.2	2.4	3	4.8	5.4	6.6	6.6	8.4	10.2	11.4	12.6	
				H=Total manometric head in meters												
CDA 0.75 M	CDA 0.75 T	0.55	0.75	35	33	30.2	27.9	17	-	-	-	-	-	-	-	
CDA 1.00 M	CDA 1.00 T	0.75	1	41.5	39.5	37	35.2	27	21	-	-	-	-	-	-	
CDA 1.50 M	CDA 1.50 T	1.1	1.5	52	50.8	48.8	47.1	38.4	33.4	27.5	-	-	-	-	-	
CDA 2.00 M	CDA 2.00 T	1.5	2	62	60.5	58.6	56.9	49.8	46.5	40.3	32.5	-	-	-	-	
-	CDA 3.00 T	2.2	3	64	-	60.5	59.3	54.1	51.6	48.4	44.6	32	-	-	-	
-	CDA 4.00 T	3	4	70	-	-	67	64.8	63.9	62.5	62	58	53.5	48	-	
-	CDA 5.50 T	4	5.5	80	-	-	76.5	73.9	72.9	71.8	70.5	66.8	62	58.3	54	

**TYPE KEY**



**PERFORMANCE CURVE SPECIFICATIONS**

The specifications below qualify the curves shown on the following pages.

Tolerances according to ISO 9906:2012 – Grade 3B

The curves refer to effective speed of asynchronous motors at 50 Hz, 2 poles.

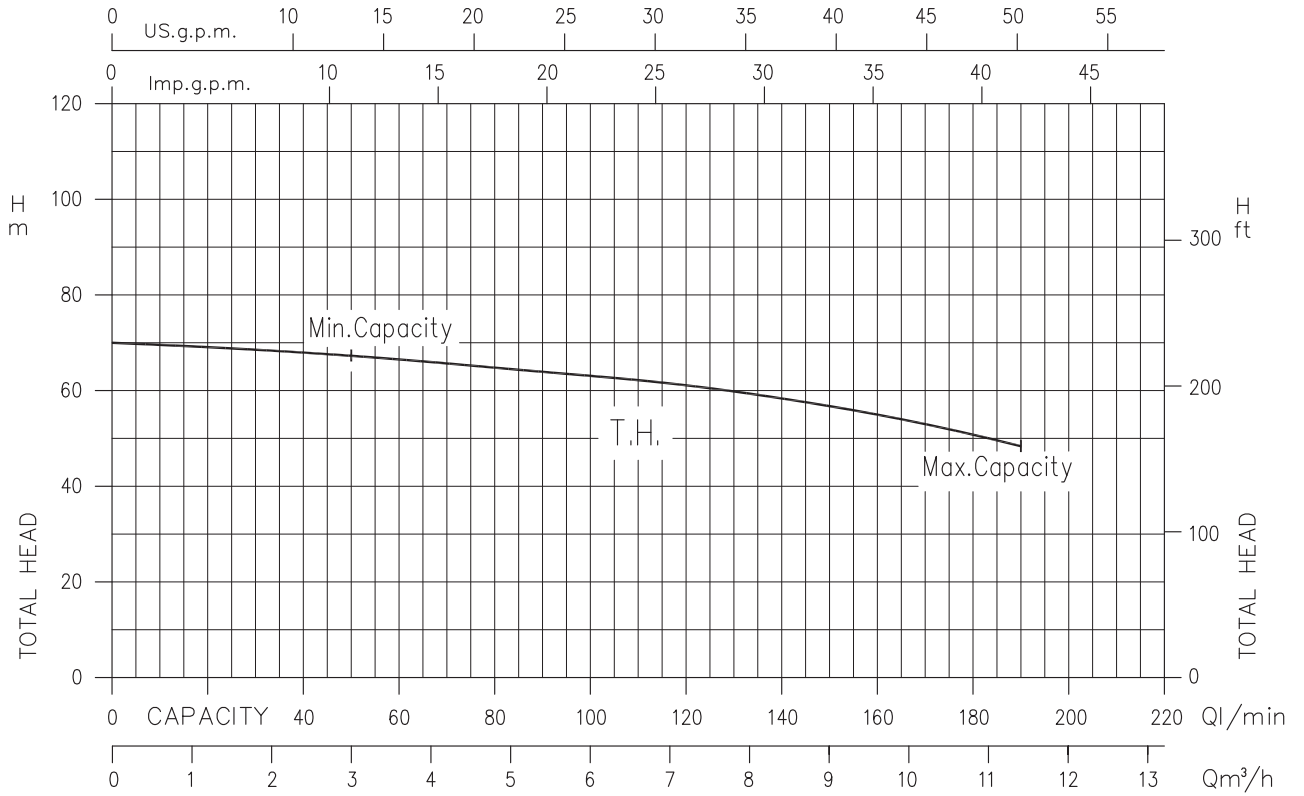
Measurements were carried out with clean water at 20°C of temperature and with a kinematic viscosity of  $\nu = 1 \text{ mm}^2/\text{s}$  (1 cSt)

In order to avoid the risk of over-heating, the pumps should not be used at a flow rate below 10% of best efficiency point.

Symbols explanation:

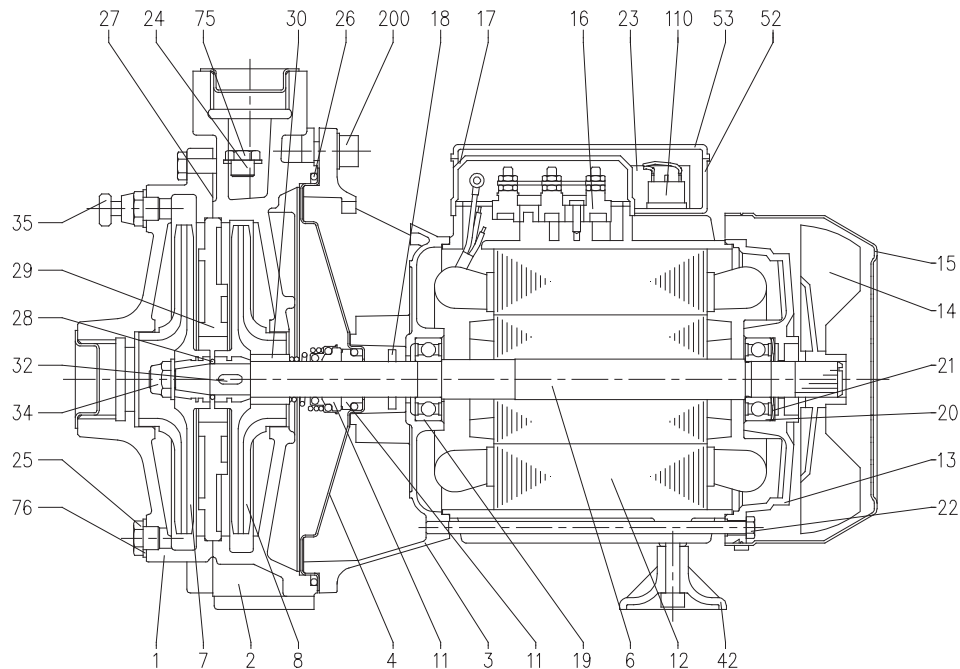
- Q = volume flow rate
- H = total head

**CDA 4.00 (3 kW) - Impeller diameter = 167 mm**



Rotation speed  $\approx 2900 \text{ min}^{-1}$   
 Test standard: ISO 9906:2012 – Grade 3B

### SECTIONAL VIEW



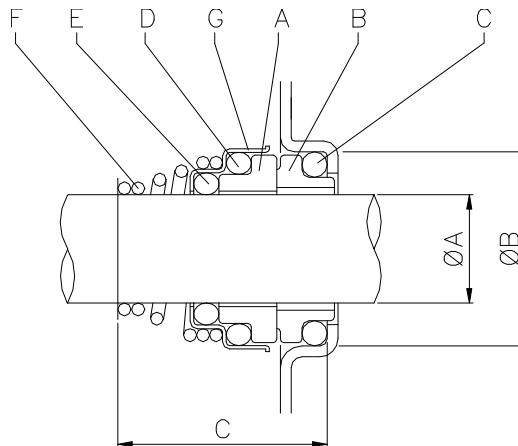
N°	PART NAME	MATERIAL	Q. TY
1	Casing	Cast iron	1
2	Casing	Cast iron	1
3	Motor bracket	[8]	1
4	Casing cover	[9]	1
6	Shaft with rotor	[6]	1
7	Impeller	[4]	1
8	Impeller	[4]	1
11	Mechanical seal	[7] Carbon/Ceramic/NBR	1
12	Motor frame with stator	-	1
13	Motor cover	Aluminium	1
14	Fan	PP	1
15	Fan cover	Fe P04 Zincate	1
16	Terminal box	-	1
17	Terminal box cover	[2] Aluminium	1
18	Splash ring	NBR	1
19	Pump side ball bearing	-	1
20	Fan side ball bearing	-	1
21	Adjusting ring	Steel C70	1
22	Tie rod	Fe 42 Zincate	4

N°	PART NAME	MATERIAL	Q. TY
23	Capacitor	[1] -	1
24	Priming plug	Brass	1
25	Drain plug	Brass	1
26	O-ring	NBR	1
27	Gasket	Compressed cellulose fibre	1
28	O-ring	NBR	1
29	Intermediate plate	Cast iron	1
30	Mechanical seal spacer	Brass	1
32	Key	AISI 316	1
34	Impeller nut	[3] AISI 304	1
35	Air breather valve	Brass	1
42	Foot	PP	1
52	Capacitor box	[1] ABS class V-0	1
53	Capacitor box cover	[10] ABS class V-0 [10]	1
75	Washer	Aluminium	1
76	Washer	Aluminium	1
110	Protector	[5] -	1
200	Screw	Zn Steel Cl. 8.8 ISO 898-1	4

- [1] Only for single phase  
 [2] Only for three phase  
 [3] Only for version with impeller in Brass  
 [4] Material : PPE+PS glass fibre reinforced for version CDA 0.75 - 1.00  
 Brass for version CDA 1.50 - 2.00 - 3.00 - 4.00 - 5.50  
 [5] Only for version single phase CDA 1.50 - 2.00  
 [6] Material : AISI 303 (wet extension) for version CDA 0.75 - 1.00 -  
 1.50 - 2.00 - 3.00  
 AISI 304 (wet extension) for version CDA 4.00 - 5.50

- [7] See constructions mechanical seal page 301  
 [8] Material : Aluminium for version CDA 0.75 - 1.00  
 Cast iron for version CDA 1.50 - 2.00 - 3.00 - 4.00 - 5.50  
 [9] Material : AISI 304 for version CDA 0.75 - 1.00  
 Cast iron built-in the motor bracket for version CDA 1.50 -  
 2.00 - 3.00 - 4.00 - 5.50  
 [10] With gasket in NBR only for version single phase CDA 0.75 - 1.00

**MECHANICAL SEAL**



Single Phase	Three Phase	ØA	ØB	C
CDA 0.75 M	CDA 0.75 T	15	26	29
CDA 1.00 M	CDA 1.00 T	15	26	29
CDA 1.50 M	CDA 1.50 T	18	30.9	32
CDA 2.00 M	CDA 2.00 T	18	30.9	32
-	CDA 3.00 T	18	30.9	32
-	CDA 4.00 T	20	30.9	33
-	CDA 5.50 T	20	30.9	33

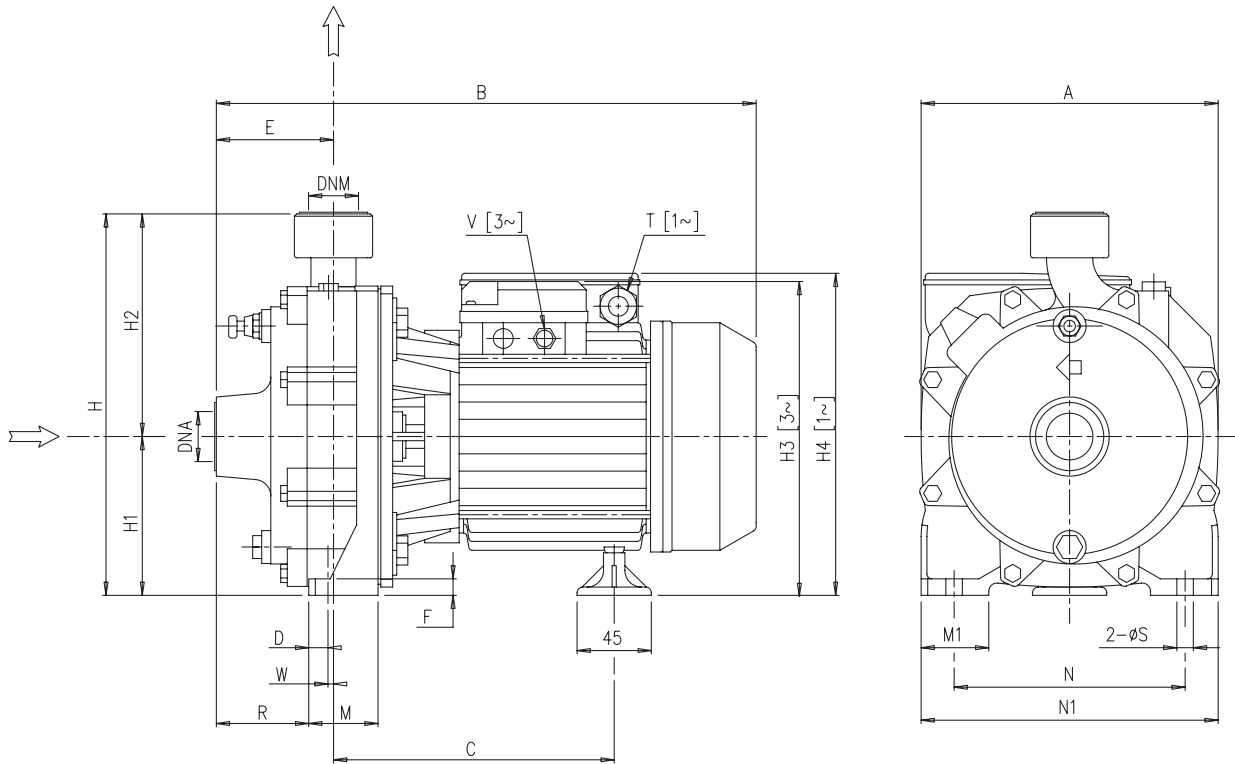
REF	PART NAME	MATERIAL
A	Rotary seal ring	Ceramic
B	Stationary seal ring	Carbon graphite
C	O Ring	NBR
D	O Ring	NBR
E	O Ring	NBR
F	Self driving spring	AISI 316
G	Frame	AISI 304

**BEARINGS**

Type pumps		Ball Bearing			
			(*)		(*)
Single phase	Three Phase	Pump side	Pump side	Fan side	Fan side
CDA 0.75 M	CDA 0.75 T	6202 2RSH	-	6202 2RSH	-
CDA 1.00 M	CDA 1.00 T	6202 2RSH	6202-ZZ C3	6202 2RSH	6202-ZZ C3
CDA 1.50 M	CDA 1.50 T	6204 2RSH	6204-ZZ C3	6203 2RSH	6203-ZZ C3
CDA 2.00 M	CDA 2.00 T	6204 2RSH	6204-ZZ C3	6203 2RSH	6203-ZZ C3
-	CDA 3.00 T	6204 2RSH	6204-ZZ C3	6203 2RSH	6203-ZZ C3
-	CDA 4.00 T	6306 2RS1	6306-ZZ C3	6205 2RSH	6205-ZZ C3

(\*) Only for IE3 Motors

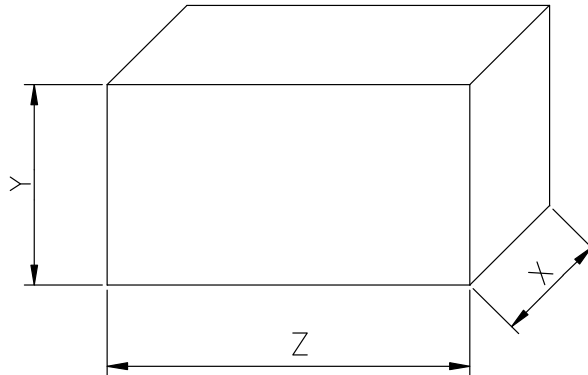
### PUMP



Pump type	Dimensions mm																				Weight [kgf]							
	A	B (*)	C (*)		D	E	F	H	H1	H2	H3 (*)		H4	M	M1	N	N1	R	T	V (*)		W	S	DNA	DNM			
CDA 0.75M	183	336.3	-	179.8	-	8.3	73	9	227	97	130	-	-	198.0	42	40	140	180	57.5	PG11	-	-	6.8	9.5	G 1	G 1	13.8	-
CDA 0.75T	183	336.3	-	179.8	-	8.3	73	9	227	97	130	197.5	-	-	42	40	140	180	57.5	-	PG11	-	6.8	9.5	G 1	G 1	13.8	-
CDA 1.00M	183	336.3	-	179.8	-	8.3	73	9	227	97	130	-	-	198.0	42	40	140	180	57.5	PG11	-	-	6.8	9.5	G 1	G 1	15	-
CDA 1.00T	183	336.3	336.3	179.8	179.8	8.3	73	9	227	97	130	197.5	197.5	-	42	40	140	180	57.5	-	PG11	M16x1.5	6.8	9.5	G 1	G 1	15	15
CDA 1.50M	209	407.8	-	218.3	-	8.3	86	9	265	110	155	-	-	242.0	48	40	155	195	65.5	PG13.5	-	-	12.3	9.5	G 1 1/4	G 1	24.2	-
CDA 1.50T	194	394.8	419.8	218.3	218.3	8.3	86	9	265	110	155	224.0	224.0	-	48	40	155	195	65.5	-	PG11	M20x1.5	12.3	9.5	G 1 1/4	G 1	24.9	25.8
CDA 2.00M	209	410.8	-	218.3	-	8.3	86	9	265	110	155	-	-	242.0	48	40	155	195	65.5	PG13.5	-	-	12.3	9.5	G 1 1/4	G 1	26	-
CDA 2.00T	194	408	420.5	218.3	218.3	8.3	86	9	265	110	155	224	224	-	48	40	155	195	65.5	-	PG11	M20x1.5	12.3	9.5	G 1 1/4	G 1	27.1	28
CDA 3.00T	194	410.8	423.3	218.3	218.3	8.3	86	9	265	110	155	224	224	-	48	40	155	195	65.5	-	PG11	M20x1.5	12.3	9.5	G 1 1/4	G 1	25.8	26.7
CDA 4.00T	228	461.5	494.5	225.3	262.5	12.0	95.5	12	308.5	133.5	175	264.5	259.5	-	57	50	180	230	71.5	-	G 1 1/2	M20x1.5	12	12	G 1 1/2	G 1 1/4	46.8	46.8
CDA 5.50T	228	508	508	225.3	225.3	12.0	95.5	12	308.5	133.5	175	264.5	264.5	-	57	50	180	230	71.5	-	G 1 1/2	M20x1.5	12	12	G 1 1/2	G 1 1/4	52	52

[1-] Single phase  
 [3-] Three phase  
 (\*) Only for IE3 Motors

PACKING



Type pumps		Packing [mm]						Weight [kgf]		
Single phase	Three phase	X		Y		Z		[1~]	[3~]	(*)
			(*)		(*)		(*)			[3~]
CDA 0.75 M	CDA 0.75 T	210	-	290	-	370	-	14.3	14.3	-
CDA 1.00 M	CDA 1.00 T	240	240	320	320	435	435	15.7	15.7	15.7
CDA 1.50 M	CDA 1.50 T	240	240	320	320	435	435	25	25.7	26.6
CDA 2.00 M	CDA 2.00 T	240	240	320	320	435	435	26.7	27.9	28.8
-	CDA 3.00 T	240	237	320	320	435	477	-	26.6	27.5
-	CDA 4.00 T	280	280	340	350	490	520	-	48.3	48.3
-	CDA 5.50 T	335	335	400	400	565	565	-	54	54

[1~] Single phase  
 [3~] Three phase  
 (\*) Only for IE3 Motors



### MOTOR DATA

Pump type		Power		Efficiency		Capacitor		Efficiency (% load)			Input		Full load current			Locked rotor current		
Single Phase	Three Phase	[kW]	[HP]	Single Phase	Three Phase	Single Phase	Phase	Three phase			Single Phase	Three Phase	[A]			[A]		
								50%	75%	100%			230 V	230 V	400 V	230 V	230 V	400 V
CDA 0.75 M	CDA 0.75 T	0.55	0.75	-	-	16	450	-	-	-	1.1	1.05	5.0	3.4	2.0	16.1	17.0	9.8
CDA 1.00 M	CDA 1.00 T	0.75	1	-	IE2	20	450	77.2	80.9	81.3	1.38	1.13	6.1	3.4	2.0	24	22.0	12.9
-	CDA 1.00 T	0.75	1	-	IE3	-	-	80.9	82.3	82.1	-	0.91	-	3.0	1.7	-	19.7	11.4
CDA 1.50 M	CDA 1.50 T	1.1	1.5	-	IE2	40	450	79.7	82.5	83.0	1.85	1.80	8.6	5.5	3.2	38	45.0	25.7
-	CDA 1.50 T	1.1	1.5	-	IE3	-	-	83.0	85.8	85.6	-	1.77	-	5.8	3.3	-	47.4	27.4
CDA 2.00 M	CDA 2.00 T	1.5	2	-	IE2	40	450	80.3	83.4	83.8	2.35	2.25	10.8	7.8	4.5	43	34.3	20.0
-	CDA 2.00 T	1.5	2	-	IE3	-	-	84.2	86.8	86.9	-	2.01	-	7.1	4.1	-	66.6	38.4
-	CDA 3.00 T	2.2	3	-	IE2	-	-	83.0	84.4	83.8	-	2.74	-	8.5	4.9	-	59.0	34.3
-	CDA 3.00 T	2.2	3	-	IE3	-	-	86.2	87.0	86.0	-	2.55	-	8.2	4.7	-	66.6	38.4
-	CDA 4.00 T	3	4	-	IE2	-	-	83.1	86.3	86.8	-	4.10	-	12.5	7.2	-	104.0	59.8
-	CDA 4.00 T	3	4	-	IE3	-	-	85.9	87.5	87.1	-	3.44	-	11.1	6.4	-	90.0	52.0
-	CDA 5.50 T	4	5.5	-	IE2	-	-	84.3	87.2	87.8	-	4.56	-	15.1	8.7	-	151.0	87.0
-	CDA 5.50 T	4	5.5	-	IE3	-	-	85.8	88.3	88.4	-	4.52	-	15.1	8.7	-	131.8	76.1

### NOISE DATA

Pump type		Power		L <sub>PA</sub> - dB(A) *
Single Phase	Three Phase	[kW]	[HP]	
CDA 0.75 M	CDA 0.75 T	0,55	0,75	<70
CDA 1.00 M	CDA 1.00 T	0,75	1	
CDA 1.50 M	CDA 1.50 T	1,1	1,5	
CDA 2.00 M	CDA 2.00 T	1,5	2	
-	CDA 3.00 T	2,2	3	
-	CDA 4.00 T	3	4	
-	CDA 5.50 T	4	5,5	

\* Mean value of several measures at 1m distance around the pump.  
Tolerance ± 2.5 dB.