

# Technical data

Pump name

CD 120/20

Customer	Date 01-June-2019	Company
Contact	Item no.	Issued by
Phone	Project	Phone
E-mail	Project ID	E-mail

## Requested data

1	Pump type	CENTRIFUGAL PUMPS	Fluid	Water, clean
2	Number of pumps / Reserve	1 / 0	Liquid temperature	°C 20
3	Flow	m <sup>3</sup> /h 0	Kin. viscosity	mm <sup>2</sup> /s 1
4	Head	m 0	Vapour pressure	bar 0.022
5	Static head	m 0	PH value	7
6	Inlet pressure	bar 0.1	Density	kg/dm <sup>3</sup> 1
7	Available system NPSH	0	Solids	Weight % 0
8	Environmental temperature	°C 20		

## Pump

9	Pump name	CD 120/20	Frequency	Hz 50
10	Design	CENTRIFUGAL PUMPS	Installation type	STANDARD
11	Manufacturer	EPE	Impeller Diameter	Max. mm 176
12	Speed	1/min 2800		Designed mm 176
13	No. of Stage	1		Min. mm 176
14	Connection Suction side	UNI ISO 228-1	Flow	Operating m <sup>3</sup> /h
15	Connection Discharge side	UNI ISO 228-1		Max- m <sup>3</sup> /h 9.6
16	Max Working Pressure	bar 8		Min- m <sup>3</sup> /h 3
17	Shut-off head	bar 3.97	Head	Operating m
18	Total weight	kg See the table of "Dimensions".		- (Qmax.) m 28.6
19	Shaft power	kW		- (Qmin.) m 37.5
20			Max. Shaft Power at max. impeller	kW 1.63
21	Required NPSH	m	Efficiency	%

## Materials

22	Impeller	AISI 304	
23	Casing	AISI 304	
24	Shaft	AISI 303 (Wet extension)	
25			
26			
27			

## Motor

28	Manufacturer	EPE Standard	Insulation class	F
29	Type	TEFC_CD 120/20_230_Three Phase	Phases	3~
30	Specific design	IE3 / 50 Hz / Pole pairs 1	Frame size	
31	Rated power	kW 1.5	Weight	kg 0
32	Number of poles	2	Electric voltage	V 230
33	Speed	1/min 2800	Electric current	A 7.1
34	Degree of protection	IP 55		
35				

## Remarks

# Performance curve Pump name CD 120/20

Customer	Date 01-June-2019	Company
Contact	Item no.	Issued by
Phone	Project	Phone
E-mail	Project ID	E-mail

### Requested data

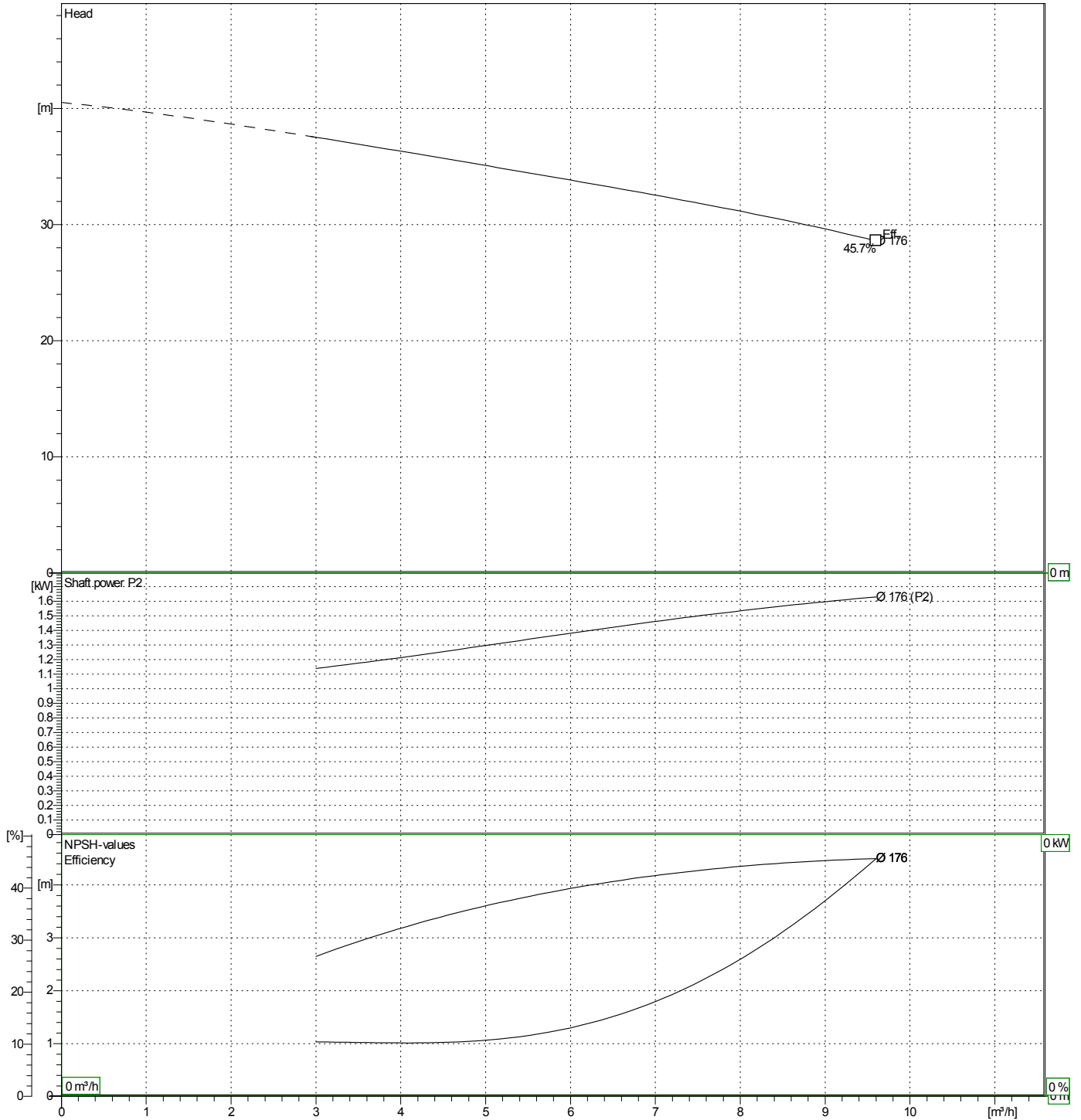
1	Flow	m³/h	0
2	Head	m	0
3	Static head	m	0

### Pump

Operating Flow	m³/h	Frequency	Hz	50
Operating Head	m	Number of poles	2	
Impeller Diameter	Designed mm	176	Speed	1/min

Test standard: ISO 9906:2012 - Grade3B

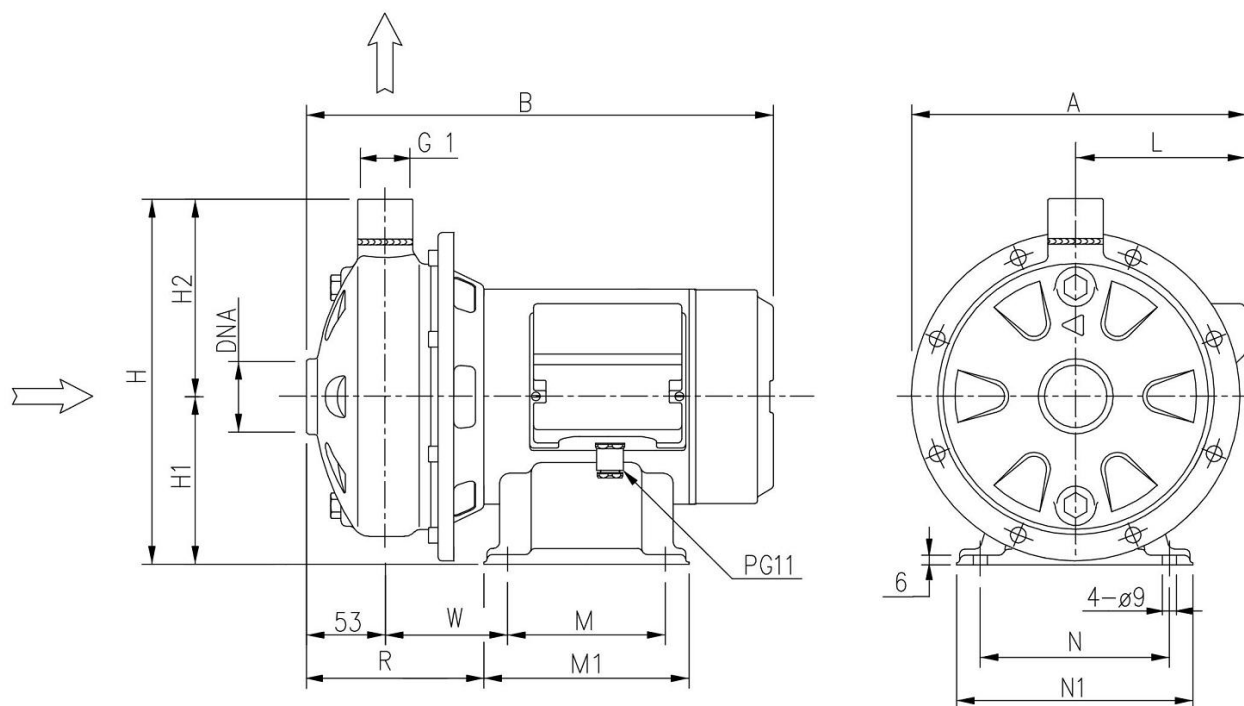
Water, clean [100%] ; 20°C; 0.9983kg/dm³; 1mm²/s



# Dimensions

Pump name CD 120/20

Customer	Date 01-June-2019	Company
Contact	Item no.	Issued by
Phone	Project	Phone
E-mail	Project ID	E-mail

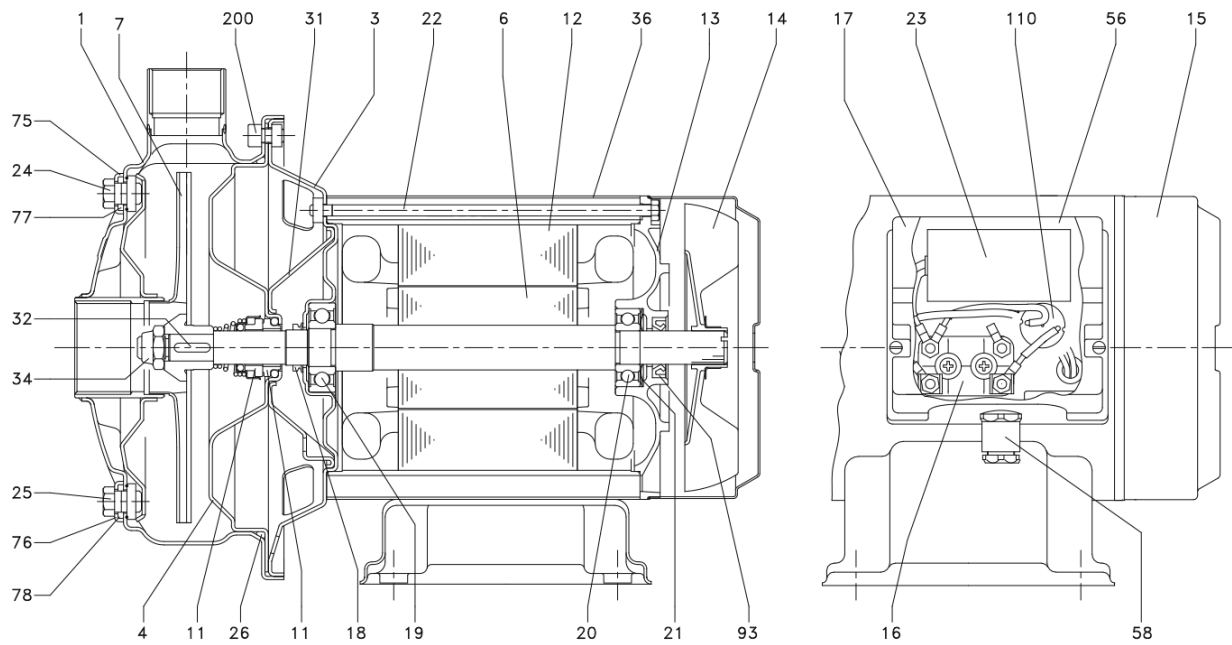


Dimensions in mm							
1	A	232	Weight P&M	18.3kg			
2	B	376					
3	DNA	G 1" 1/4					
4	H	250					
5	H1	118					
6	H2	132					
7	L	116					
8	M	120					
9	M1	150					
10	N	140					
11	N1	170					
12	R	133					
13	W	95					

# (1/3) Construction

Pump name CD 120/20

Customer	Date 01-June-2019	Company
Contact	Item no.	Issued by
Phone	Project	Phone
E-mail	Project ID	E-mail



**(2/3)****Construction**

Pump name CD 120/20

Customer	Date 01-June-2019	Company
Contact	Item no.	Issued by
Phone	Project	Phone
E-mail	Project ID	E-mail

N°	PART NAME	MATERIAL	DIMENSION	STANDARD	Q.TY
1	Casing	AISI 304			1
3	Motor bracket	AISI 304			1
4	Casing cover	AISI 304			1
6	Shaft with rotor	AISI 303 (Wet extension)			1
7	Impeller	AISI 304			1
11	Mechanical seal [3]	Ceramic/Carbon/NBR			1
12	Motor frame with stator	-			1
13	Motor cover	Aluminium			1
14	Fan	PA			1
15	Fan cover	AISI 304			1
16	Terminal board	-			1
17	Terminal box cover	PA66 glass fibre reinforced class V-0			1
18	Splash ring	NBR			1
19	Pump side ball bearing	-			1
20	Fan side ball bearing	-			1
21	Adjusting ring	Steel C70			1
22	Tie rod	Fe 420 Galvanized			4
23	Capacitor [1]	-			1
24	Priming plug	AISI 304			1
25	Drain plug	AISI 304			1
26	O-ring [2]	NBR			1
31	Thrust flange	AISI 304			1
32	Key	AISI 316	4x4x14	UNI 6604	1
34	Impeller nut	Stainless steel A2-70	M10X1,25	UNI 7474	1
36	Motor casing	AISI 304			1
56	Box gasket	NBR			1
58	Cable entry	-			1
73	Casing ring	-			1
75	Washer	AISI 304			1
76	Washer	AISI 304			1
77	O-ring [2]	NBR			1
78	O-ring [2]	NBR			1
93	Lip seal	NBR			1
110	Protector [1]	-			1
200	Screw	Stainless steel A2-70	M6X12	UNI 5931	8
			M8X14		

[1] Only for single phase

[2] FPM for H-HS-HW-HSW

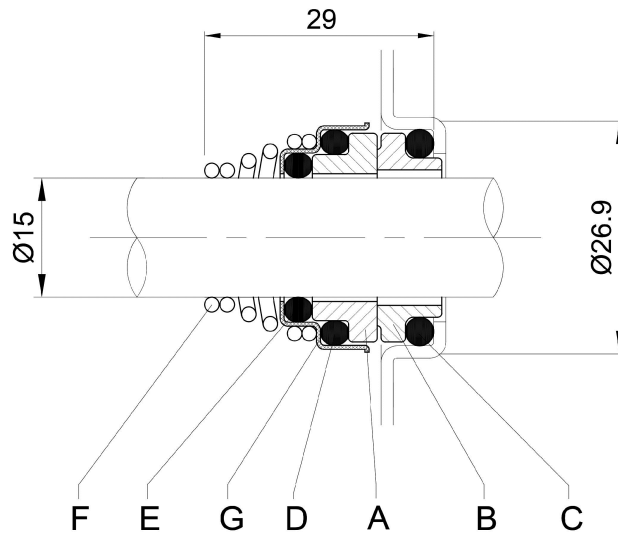
EPDM for E and Special Mechanical Seal

[3] See **CONSTRUCTION 3**

# (3/3) Construction

Pump name CD 120/20

Customer	Date 01-June-2019	Company
Contact	Item no.	Issued by
Phone	Project	Phone
E-mail	Project ID	E-mail



REF	PART NAME	MATERIAL Standard and L version
A	Rotary seal ring	Ceramic
B	Stationary seal ring	Carbon graphite
C	O-Ring	NBR
D	O-Ring	NBR
E	O-Ring	NBR
F	Self-driving spring	AISI 316
G	Frame	AISI 304