

Technical data

Pump name CD 70/05

Customer	Date 01-June-2019	Company
Contact	Item no.	Issued by
Phone	Project	Phone
E-mail	Project ID	E-mail

Requested data

1	Pump type	CENTRIFUGAL PUMPS	Fluid	Water, clean
2	Number of pumps / Reserve	1 / 0	Liquid temperature	°C 20
3	Flow	m ³ /h 0	Kin. viscosity	mm ² /s 1
4	Head	m 0	Vapour pressure	bar 0.022
5	Static head	m 0	PH value	7
6	Inlet pressure	bar 0.1	Density	kg/dm ³ 1
7	Available system NPSH	0	Solids	Weight % 0
8	Environmental temperature	°C 20		

Pump

9	Pump name	CD 70/05	Frequency	Hz 50
10	Design	CENTRIFUGAL PUMPS	Installation type	STANDARD
11	Manufacturer	EPE	Impeller Diameter	Max. mm 132
12	Speed	1/min 2800		Designed mm 132
13	No. of Stage	1		Min. mm 132
14	Connection Suction side	UNI ISO 228-1	Flow	Operating m ³ /h
15	Connection Discharge side	UNI ISO 228-1		Max- m ³ /h 5.4
16	Max Working Pressure	bar 8		Min- m ³ /h 1.2
17	Shut-off head	bar 2.15	Head	Operating m
18	Total weight	kg See the table of "Dimensions".		- (Qmax.) m 15.0
19	Shaft power	kW		- (Qmin.) m 20.7
20			Max. Shaft Power at max. impeller	kW 0.41
21	Required NPSH	m	Efficiency	%

Materials

22	Impeller	AISI 304	
23	Casing	AISI 304	
24	Shaft	AISI 303 (Wet extension)	
25			
26			
27			

Motor

28	Manufacturer	EPE Standard	Insulation class	F
29	Type	TEFC_CD 70/05_230_Three Phase	Phases	3~
30	Specific design	- / 50 Hz / Pole pairs 1	Frame size	
31	Rated power	kW 0.37	Weight	kg 0
32	Number of poles	2	Electric voltage	V 230
33	Speed	1/min 2800	Electric current	A 2.4
34	Degree of protection	IP 55		
35				

Remarks

Performance curve Pump name CD 70/05

Customer	Date 01-June-2019	Company
Contact	Item no.	Issued by
Phone	Project	Phone
E-mail	Project ID	E-mail

Requested data

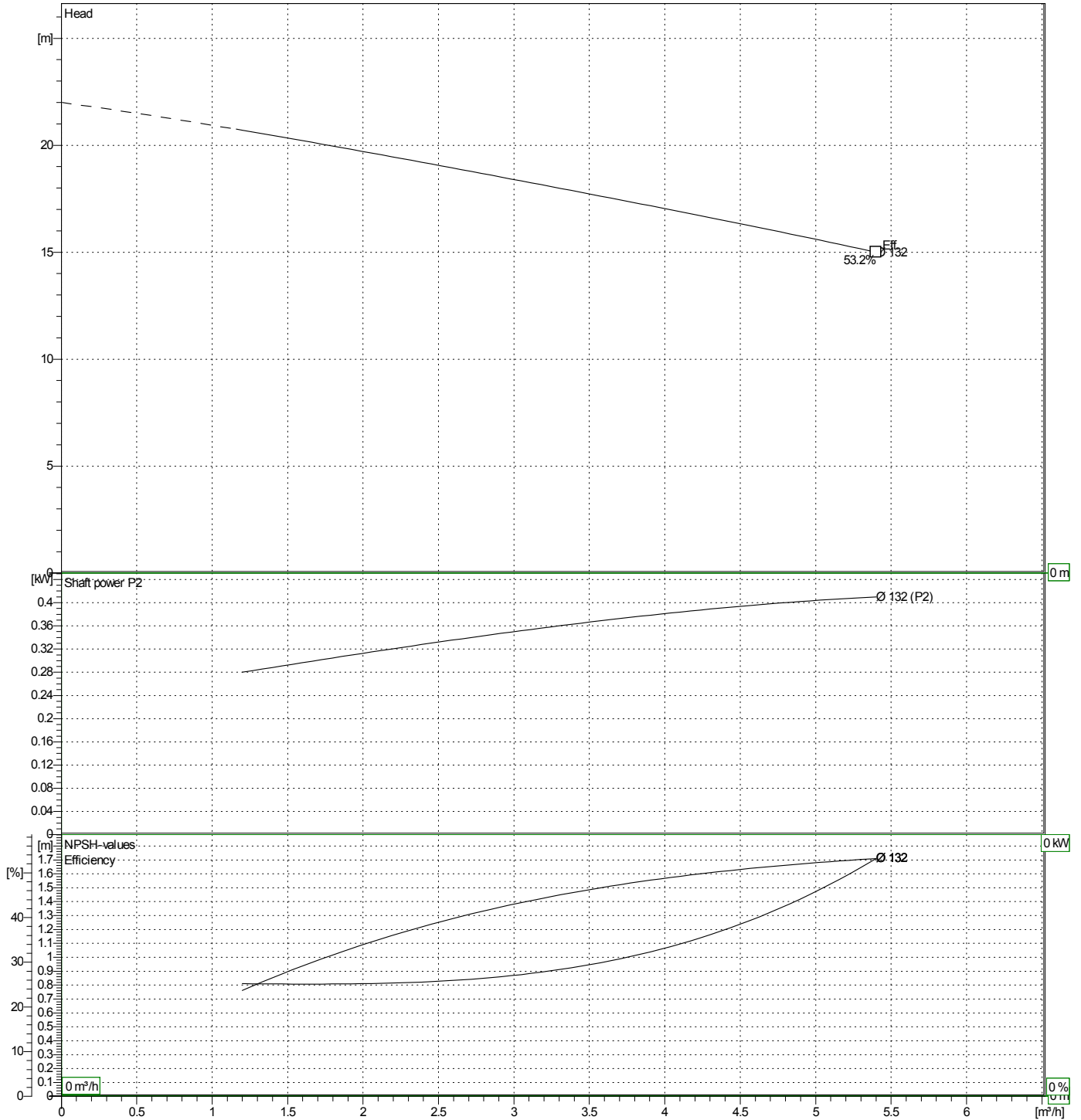
1	Flow	m³/h	0
2	Head	m	0
3	Static head	m	0

Pump

Operating Flow	m³/h	Frequency	Hz	50
Operating Head	m	Number of poles	2	
Impeller Diameter	Designed mm	132	Speed	1/min

Test standard: ISO 9906:2012 - Grade3B

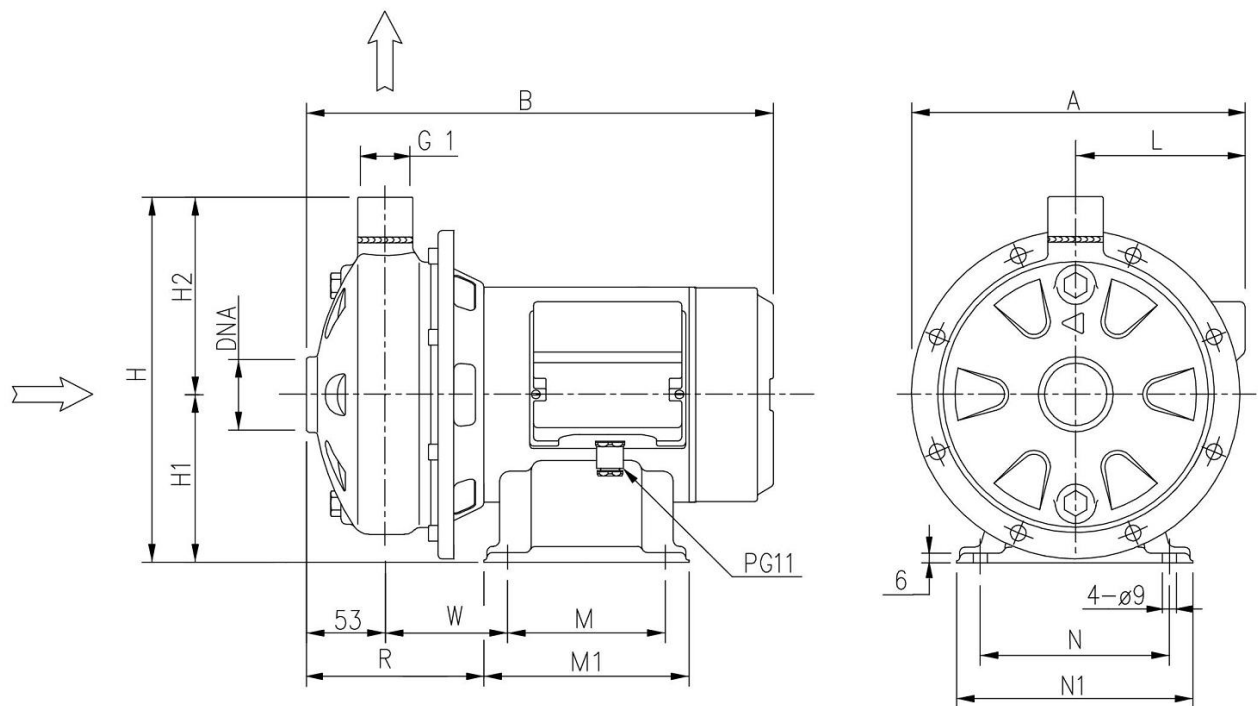
Water, clean [100%] ; 20°C; 0.9983kg/dm³; 1mm²/s



Dimensions

Pump name CD 70/05

Customer	Date 01-June-2019	Company
Contact	Item no.	Issued by
Phone	Project	Phone
E-mail	Project ID	E-mail

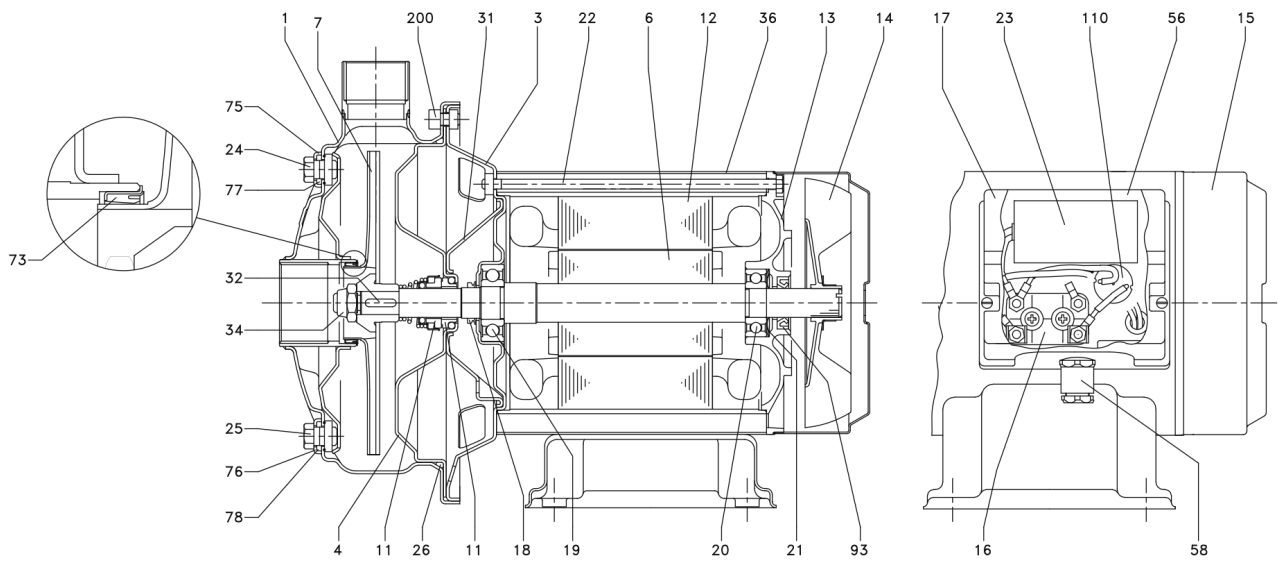


Dimensions in		mm					
1	A	208	Weight P&M	8.7kg			
2	B	298					
3	DNA	G 1" 1/4					
4	H	229.5					
5	H1	106					
6	H2	123.5					
7	L	104					
8	M	100					
9	M1	130					
10	N	120					
11	N1	150					
12	R	115.5					
13	W	77.5					

(1/3) Construction

Pump name CD 70/05

Customer	Date 01-June-2019	Company
Contact	Item no.	Issued by
Phone	Project	Phone
E-mail	Project ID	E-mail



(2/3)**Construction**

Pump name CD 70/05

Customer	Date 01-June-2019	Company
Contact	Item no.	Issued by
Phone	Project	Phone
E-mail	Project ID	E-mail

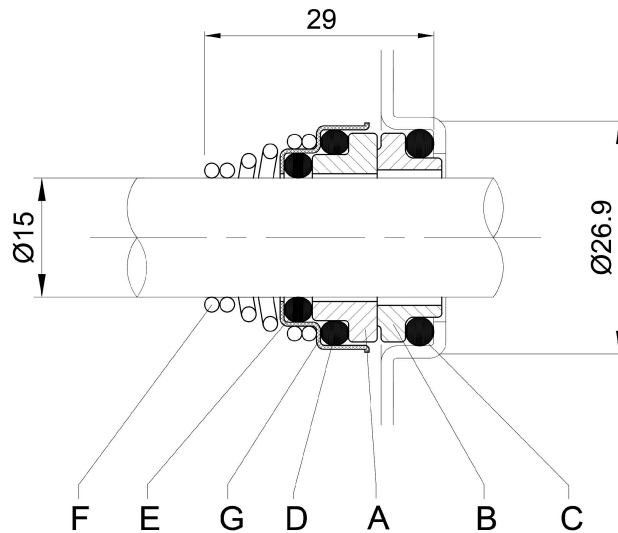
N°	PART NAME	MATERIAL	DIMENSION	STANDARD	Q.TY	
1	Casing	AISI 304			1	
3	Motor bracket	AISI 304			1	
4	Casing cover	AISI 304			1	
6	Shaft with rotor	AISI 303 (Wet extension)			1	
7	Impeller	AISI 304			1	
11	Mechanical seal [4]	Ceramic/Carbon/NBR			1	
12	Motor frame with stator	-			1	
13	Motor cover	Aluminium			1	
14	Fan	PA			1	
15	Fan cover	AISI 304			1	
16	Terminal board	-			1	
17	Terminal box cover	PA66 glass fibre reinforced class V-0			1	
18	Splash ring	NBR			1	
19	Pump side ball bearing	-			1	
20	Fan side ball bearing	-			1	
21	Adjusting ring	Steel C70			1	
22	Tie rod	Fe 420 Galvanized			4	
23	Capacitor [1]	-			1	
24	Priming plug	AISI 304			1	
25	Drain plug	AISI 304			1	
26	O-ring [2]	NBR			1	
31	Thrust flange	AISI 304			1	
32	Key	AISI 316	4x4x14	UNI 6604	1	
34	Impeller nut	Stainless steel A2-70	M10X1,25	UNI 7474	1	
36	Motor casing	AISI 304			1	
56	Box gasket	NBR			1	
58	Cable entry	-			1	
73	Casing ring [3]	NBR			1	
75	Washer	AISI 304			1	
76	Washer	AISI 304			1	
77	O-ring [2]	NBR			1	
78	O-ring [2]	NBR			1	
93	Lip seal	NBR			1	
110	Protector [1]	-			1	
200	Screw	70/05, 70/07, 90/10	Stainless steel A2-70	M6X12	UNI 5931	8
		70/12		M8X14		

- [1] Only for single phase
 [2] FPM for H-HS-HW-HSW
 EPDM for E and Special Mechanical Seal
 [3] FPM for H-HS-HW-HSW 70/05, 70/07, 90/10
 NBR for E 70/05, 70/07, 90/10
 [4] See **CONSTRUCTION 3**

(3/3) Construction

Pump name CD 70/05

Customer	Date 01-June-2019	Company
Contact	Item no.	Issued by
Phone	Project	Phone
E-mail	Project ID	E-mail



REF	PART NAME	MATERIAL Standard and L version
A	Rotary seal ring	Ceramic
B	Stationary seal ring	Carbon graphite
C	O-Ring	NBR
D	O-Ring	NBR
E	O-Ring	NBR
F	Self-driving spring	AISI 316
G	Frame	AISI 304