

Technical data

Pump name

EVMG10 11N5/4.0

Customer	Date 05-June-2019	Company
Contact	Item no.	Issued by
Phone	Project	Phone
E-mail	Project ID	E-mail

Requested data

1	Pump type	VERTICAL PUMPS	Fluid	Water, clean
2	Number of pumps / Reserve	1 / 0	Liquid temperature	°C 20
3	Flow	m ³ /h 0	Kin. viscosity	mm ² /s 1
4	Head	m 0	Vapour pressure	bar 0.022
5	Static head	m 0	PH value	7
6	Inlet pressure	bar 0.1	Density	kg/dm ³ 1
7	Available system NPSH	0	Solids	Weight % 0
8	Environmental temperature	°C 20		

Pump

9	Pump name	EVMG10 11N5/4.0	Frequency	Hz 50
10	Design	VERTICAL PUMPS	Installation type	STANDARD
11	Manufacturer	EMC	Impeller Diameter	Max. mm 96
12	Speed	1/min 2850		Designed mm 96
13	No. of Stage	11		Min. mm 96
14	Connection	Suction side	Flow	Operating m ³ /h
15	Connection	Discharge side		Max- m ³ /h 15
16	Max Working Pressure	bar 16		Min- m ³ /h 4.5
17	Shut-off head	bar 11.79	Head	Operating m
18	Total weight	kg See the table of "Dimensions".		- (Qmax.) m 42.2
19	Shaft power	kW		- (Qmin.) m 116.2
20			Max. Shaft Power at max. impeller	kW 3.51
21	Required NPSH	m	Efficiency	%

Materials

22	Impeller	AISI 304		
23	Intermediate casing	AISI 304		
24	Bottom casing	Cast Iron		
25	Shaft	AISI 316		
26				
27				

Motor

28	Manufacturer	LAFERT	Insulation class	F
29	Type	TEFC_EVM10 11N5/4.0_230_ Three Phase	Phases	3~
30	Specific design	IE2 / 50 Hz / Pole pairs 1	Frame size	112 M
31	Rated power	kW 4	Weight	kg 22.8
32	Number of poles	2	Electric voltage	V 230
33	Speed	1/min 2940	Electric current	A 13.5
34	Degree of protection	IP 55		
35				

Remarks

Performance curve Pump name EVMG10 11N5/4.0

Customer	Date 05-June-2019	Company
Contact	Item no.	Issued by
Phone	Project	Phone
E-mail	Project ID	E-mail

Requested data

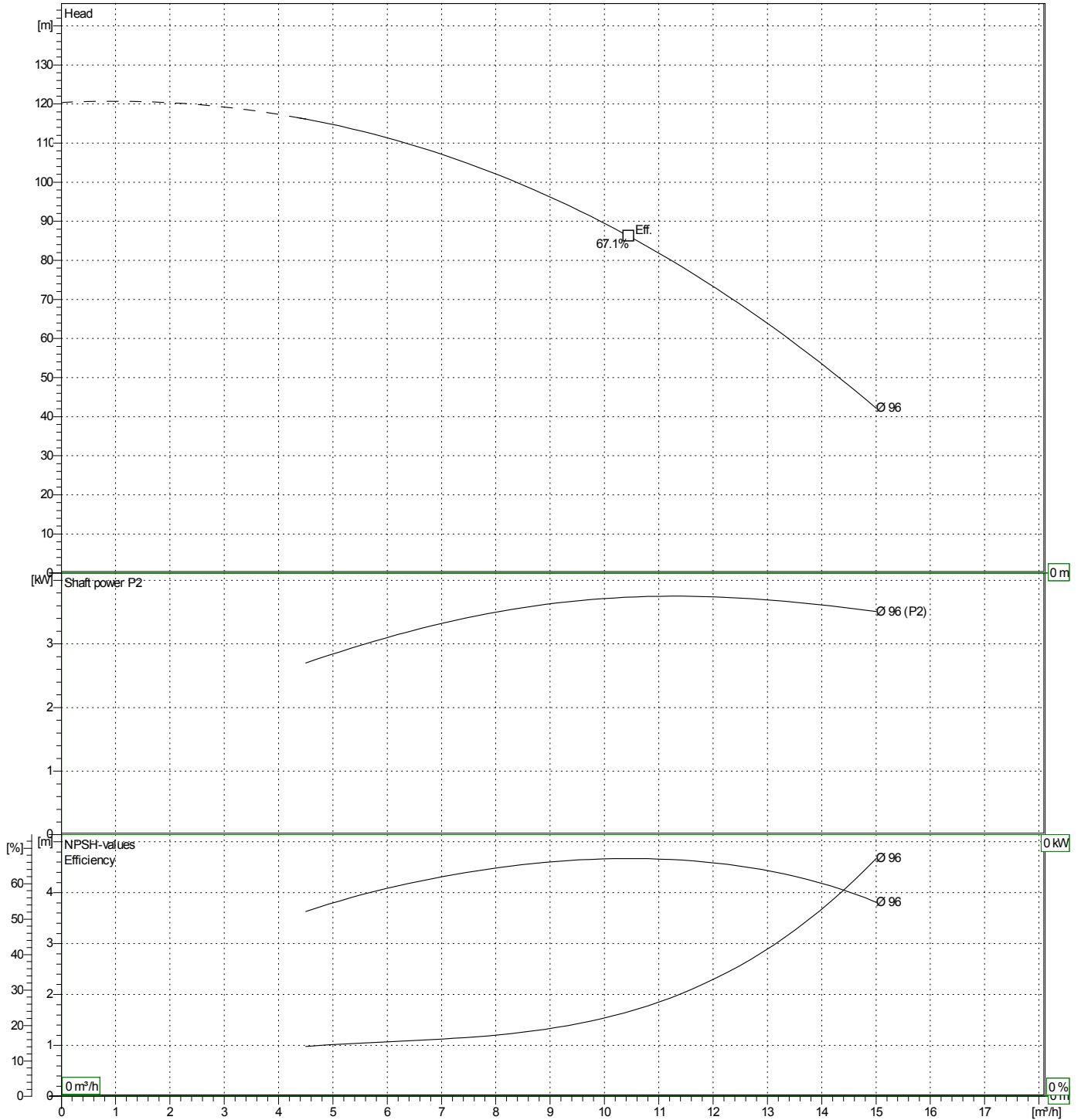
1	Flow	m³/h	0
2	Head	m	0
3	Static head	m	0

Pump

Operating Flow	m³/h		Frequency	Hz	50
Operating Head	m		Number of poles		2
Impeller Diameter	Designed mm	96	Speed	1/min	

Test standard: ISO 9906:2012 - Grade3B

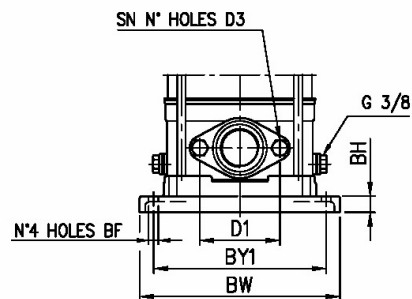
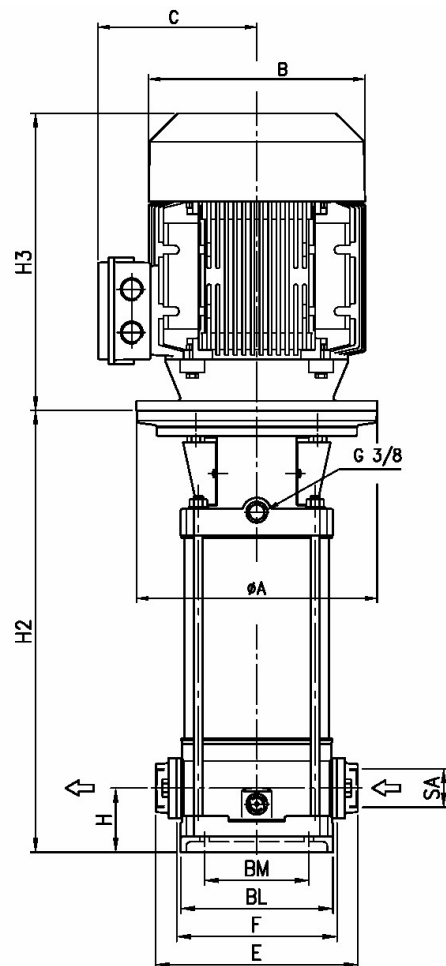
Water, clean [100%] ; 20°C; 0.9983kg/dm³; 1mm²/s



Dimensions

Pump name EVMG10 11N5/4.0

Customer	Date 05-June-2019	Company
Contact	Item no.	Issued by
Phone	Project	Phone
E-mail	Project ID	E-mail

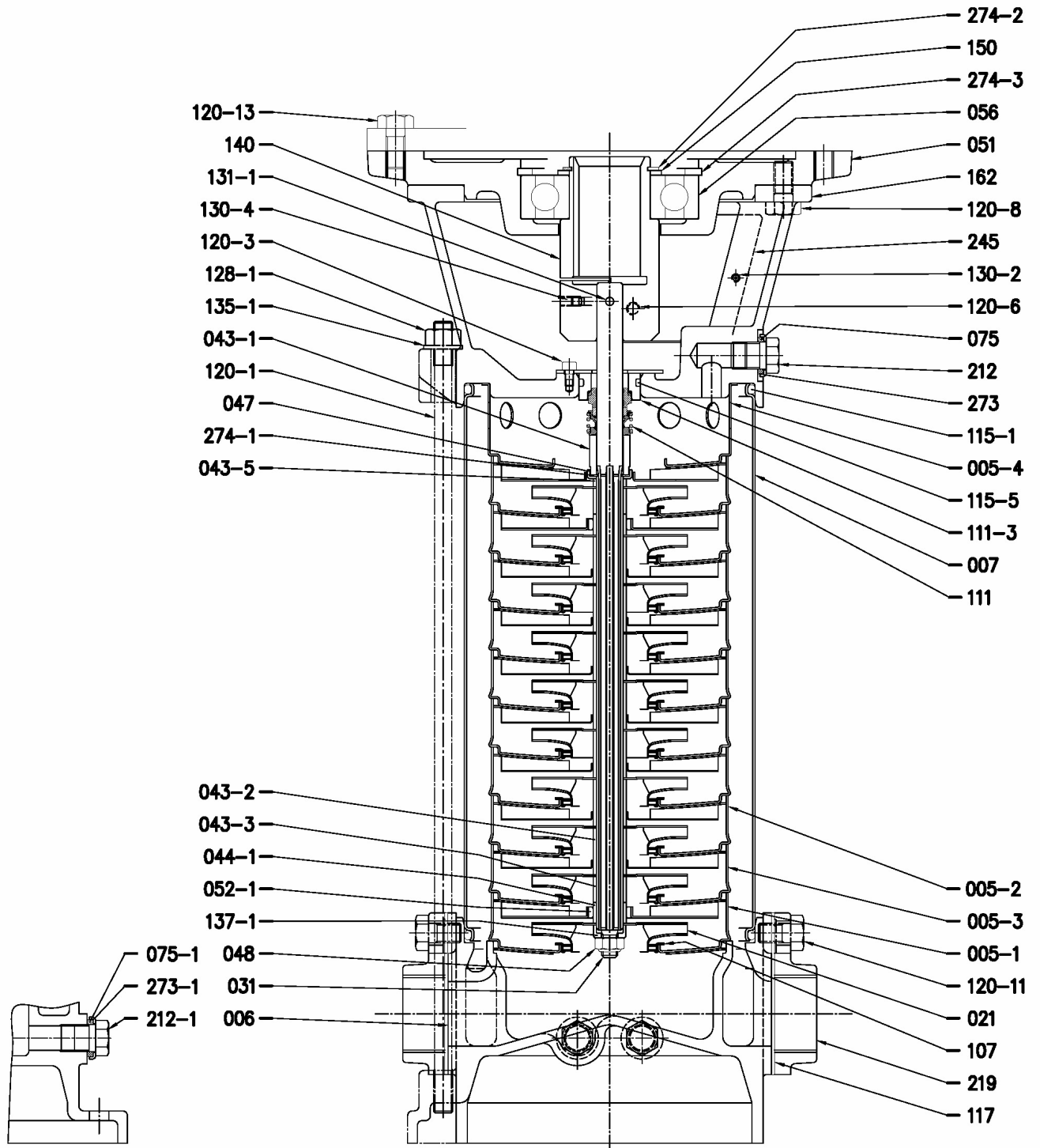


Dimensions in		mm					
1	A	Dia 160	H	80			
2	B	196	H2	633			
3	BF	Dia 12	H3	306			
4	BH	20	SA	G 1 1/2			
5	BL	190	SN	2			
6	BM	130	Weight kg	56.8			
7	BW	250					
8	BY 1	215					
9	C	155					
10	D1	100					
11	D3	M12					
12	E	252					
13	F	200					

(1/3) Construction

Pump name EVMG10 11N5

Customer	Date 05-June-2019	Company
Contact	Item no.	Issued by
Phone	Project	Phone
E-mail	Project ID	E-mail



(2/3) Construction

Pump name EVMG10 11N5

Customer	Date 05-June-2019	Company
Contact	Item no.	Issued by
Phone	Project	Phone
E-mail	Project ID	E-mail

N°	PART NAME	MATERIAL			DIMENSIONS	STANDARD	Q.TY
		EVMG	EVM	EVML			
005-1	Suction casing	EN 1.4301(AISI 304)		EN 1.4401 (AISI 316)			1
005-2	Intermediate casing	EN 1.4301(AISI 304)		EN 1.4401 (AISI 316)			[1]
005-3	Intermediate casing bearing	EN 1.4301(AISI 304)		EN 1.4401 (AISI 316)			[1]
005-4	Discharge casing	EN 1.4301(AISI 304)		EN 1.4401 (AISI 316)			1
006	Bottom casing	Cast iron EN-GJL-200 -EN 1561	EN 1.4301(AISI 304)	EN 1.4401 (AISI 316)			1
007	Outer casing	EN 1.4301(AISI 304)		EN 1.4401 (AISI 316)			1
021	Impeller	EN 1.4301(AISI 304)		EN 1.4401 (AISI 316)			[1]
031	Shaft	EN 1.4401 (AISI 316)					1
043-1	Shaft sleeve (mechanical seal)	EN 1.4301(AISI 304)		EN 1.4401 (AISI 316)			1
043-2	Shaft sleeve (intermediate)	EN 1.4301(AISI 304)		EN 1.4401 (AISI 316)			[1]
043-3	Shaft sleeve (bearing)	EN 1.4301(AISI 304)		EN 1.4401 (AISI 316)			[1]
043-5	Shaft sleeve (last stage)	EN 1.4301(AISI 304)		EN 1.4401 (AISI 316)			[1]
044-1	Shaft sleeve bearing	Tungsten carbide					[1]
047	Ring holder	EN 1.4301(AISI 304)		EN 1.4401 (AISI 316)			1
048	Impeller nut	A2-70 UNI 7323 with inox insert		A4-70 UNI 7323 with inox insert	M10		1
051	Motor adapter	Cast iron EN-GJL-200-EN 1561					[1]
052-1	Bearing	Tungsten carbide					[1]
056	Ball bearing	See table pag.357					[1]
075	O-ring (plug)	EPDM		FPM			1
075-1	O-ring (plug)	EVM, EVML EVMG	EPDM	FPM			2
107	Liner ring	PTFE/EN 1.4301(AISI 304)		PTFE/EN 1.4401 (AISI 316)			[1]
111	Mechanical seal	EPDM		Silicon carbide/Carbon/FPM			1
111-3	Mechanical seal seat	EN 1.4301(AISI 304)		EN 1.4401 (AISI 316)			1
115-1	O-ring (outer casing)	EPDM		FPM	164.46x5.34	OR 6645	2
115-5	O-ring	EPDM		FPM	31.34x3.53	OR 4125	1
117	Flange Gasket	EPDM		/			[1]
120-1	Tie rod	Zincate steel 6.8 strenght class ISO 898/1					4
120-3	Screw	A2-70 UNI 7323			M5x6	UNI 5931	4
120-6	Screw for coupling	EVM10 2/3/5/6 EVM10 8 to 20 EVM10 22	Zincate steel		M6x16	UNI 5931	[1]
120-8	Screw (motor adapter)	Zincate steel			M8x20	UNI 5931	[1]
120-11	Screw for counterflange	A2-70 UNI 7323			M10x25	UNI 5931	[1]
120-13	Screw for motor	EVM10 2 to 3 EVM10 4 EVM10 5 to 11 EVM10 12 to 20 EVM10 22	Zincate steel 8.8 strenght class ISO 898/1		M12x20	UNI 5739	[1]
128-1	Nut for tie rod	Zincate steel			M6x16	UNI 5931	4
130-2	Screw for coupling guard	A2-70 UNI 7323			M6x20	UNI 5739	4
130-4	Set-screw	Carbon steel			M8x30	UNI 5739	[1]
131-1	Pin for shaft	Carbon steel			M12x25	UNI 5739	1
135-1	Washer	Zincate steel			M16x65	UNI 5739	4
137-1	Impeller spacer	EN 1.4301(AISI 304)		EN 1.4401 (AISI 316)	13x24x2.5	UNI 6592	4
140	Coupling	Other models EVM10 4 EVM10 22	Brass OT 58 UNI 5705				1
150	Spacer	Die cast Aluminium EN AB-AISI11Cu2 (Fe)					2
162	Motor bracket	Cast iron EN-GJL-200 -EN 1561	Cast iron + EN 1.4301(AISI 304)	Cast iron + EN 1.4401 (AISI 316)			1
212	Plug	EN 1.4301(AISI 304)					1
212-1	Plug	EVM, EVML EVMG	EN 1.4301(AISI 304)	EN 1.4401 (AISI 316)			2
219	Counter flange	Zincate steel		EN 1.4301(AISI 304)	EN 1.4401 (AISI 316)		4
245	Coupling guard	EN 1.4301(AISI 304)		EN 1.4301(AISI 304)			[1]
273	Washer (plug)	EN 1.4301(AISI 304)			EN 1.4401 (AISI 316)		2
273-1	Washer (plug)	EVM, EVML EVMG	EN 1.4301(AISI 304)	EN 1.4401 (AISI 316)			2
274-1	C-type snap ring (mechanical seal)	EN 1.4301(AISI 304)			EN 1.4401 (AISI 316)	D.16 JIS B2804-1978	4
274-2	C-type snap ring (coupling)	EVM10 5, EVM 10 6 EVM10 8 to 11 EVM10 12 to 20 EVM10 22	Carbon steel TC 80				1
274-3	C-type snap ring (bracket)	EVM 10 5, EVM 10 6 EVM 10 8 to 11 EVM 10 12 to 20	Carbon steel TC 80				[1]

[1] See table on CONSTRUCTION 3

(3/3) Construction

Pump name EVMG10 11N5

Customer	Date 05-June-2019	Company
Contact	Item no.	Issued by
Phone	Project	Phone
E-mail	Project ID	E-mail

Pump Type EVM(%)	Quantity for model																												
	005-2	005-3	021	043-2	043-3	043-5	044-1	051	052-1	056	Bearing type	070-1	107	115-3	117	120-5	120-6	120-7	120-8	120-11	128-3	128-6	130-4	135-4	135-6	150	219	274-2	274-3
10 6N5/2.2	3	1	5	3	1	1	1	1	1	1	6207 ZZ	/	5	2	2	/	2	/	/	4	/	/	1	/	/	1	2	1	1
10 6N5/2.2	4	1	6	4	1	1	1	1	1	1	6207 ZZ	/	6	2	2	/	2	/	/	4	/	/	1	/	/	1	2	1	1
10 8N5/3.0	6	1	8	6	1	1	1	1	1	1	6308 ZZ	/	8	2	2	/	2	/	/	4	/	/	1	/	/	1	2	1	1
10 10N5/4.0	8	1	10	8	1	1	1	1	1	1	6308 ZZ	/	10	2	2	/	2	/	/	4	/	/	1	/	/	1	2	1	1
10 11N5/4.0	9	2	11	9	1	1	1	1	1	1	6308 ZZ	/	11	2	2	/	2	/	/	4	/	/	1	/	/	1	2	1	1
10 12N5/5.5	9	2	12	9	2	1	2	1	2	1	6310 ZZ	/	12	2	2	/	2	/	4	4	/	/	1	/	/	1	2	1	1
10 14N5/5.5	11	2	14	11	2	1	2	1	2	1	6310 ZZ	/	14	2	2	/	2	/	4	4	/	/	1	/	/	1	2	1	1
10 15F5/5.5	12	2	15	12	2	1	2	1	2	1	6310 ZZ	/	15	/	/	/	2	/	4	/	/	/	1	/	/	1	/	1	1
10 16F5/7.5	13	2	16	13	2	1	2	1	2	1	6310 ZZ	/	16	/	/	/	2	/	4	/	/	/	1	/	/	1	/	1	1
10 18F5/7.5	15	2	18	15	2	1	2	1	2	1	6310 ZZ	/	18	/	/	/	2	/	4	/	/	/	1	/	/	1	/	1	1
10 20F5/7.5	17	2	20	17	2	1	2	1	2	1	6310 ZZ	/	20	/	/	/	2	/	4	/	/	/	1	/	/	1	/	1	1
10 22F5/11	19	2	22	19	2	1	2	1	2	1	6313 ZZ	1	22	/	/	/	2	3	4	/	4	/	1	3	/	1	/	1	/