

Technical data

Pump name

GS 100-250 /110

Customer	Date	2021-05-14	Company
Contact	Item no.		Issued by
Phone	Project		Phone
E-mail	Project ID		E-mail

Requested data

1	Pump type	End Suction Volute Pump	Fluid	Water
2	Number of pumps / Reserve	1 / 0	Liquid temperature	°C
3	Flow	m ³ /h	Kin. viscosity	mm ² /s
4	Head	m	Vapour pressure	kPa
5	Geodetic head	m	PH value	
6	Inlet pressure (pin)	kPa	Density	kg/m ³
7	Available system NPSH		Solids	Weight %
8	Ambient temperature	°C	20	

Pump

9	Pump name	GS 100-250 /110	Frequency	Hz	50	
10	Design	End Suction Volute Pump	Installation type	with Channel base, motor		
11	Manufacturer	EBARA	Impeller Diameter	Max.	mm	
12	Speed	rpm		2900	Designed	mm
13	No. of Stage	1			Min.	mm
14	Connection	Suction side	Flow	Operating	m ³ /h	
15	Connection	Discharge side		Max-	m ³ /h	
16	Max Working Pressure	kPa		1600	Min-	m ³ /h
17	Shut-off head	kPa	975.41	Head	Operating	m
18	Total weight	kg	See the table of "Dimensions".		- (Qmax.)	m
19	Shaft power	kW			- (Qmin.)	m
20			Max. Shaft Power at max. impeller	kW	105.20	
21	Required pump NPSH	m	Efficiency	%		

Materials

22	Casing	FC250		
23	Impeller	FC200		
24	Shaft	SUS431eq.		
25	Case wear ring	CAC406		
26	O-ring	NBR		
27	Mechanical Seal	SiC/Carbon/FKM		

Motor

28	Manufacturer	TECHTOP	Insulation class	F	
29	Type	315S_110_3_400	Phases	3~	
30	Specific design	TEFC/B3/IE3/TC / 50 Hz / Pole pairs 1	Frame size	315S_2P	
31	Rated power	kW	110	Weight	kg
32	Number of poles	2	Electric voltage	V	400
33	Speed	rpm	2940	Electric current	A
34	Degree of protection	IP55			185
35					

Remarks

--

Performance curve

Pump name

GS 100-250 /110

Customer	Date 2021-05-14	Company
Contact	Item no.	Issued by
Phone	Project	Phone
E-mail	Project ID	E-mail

Requested data

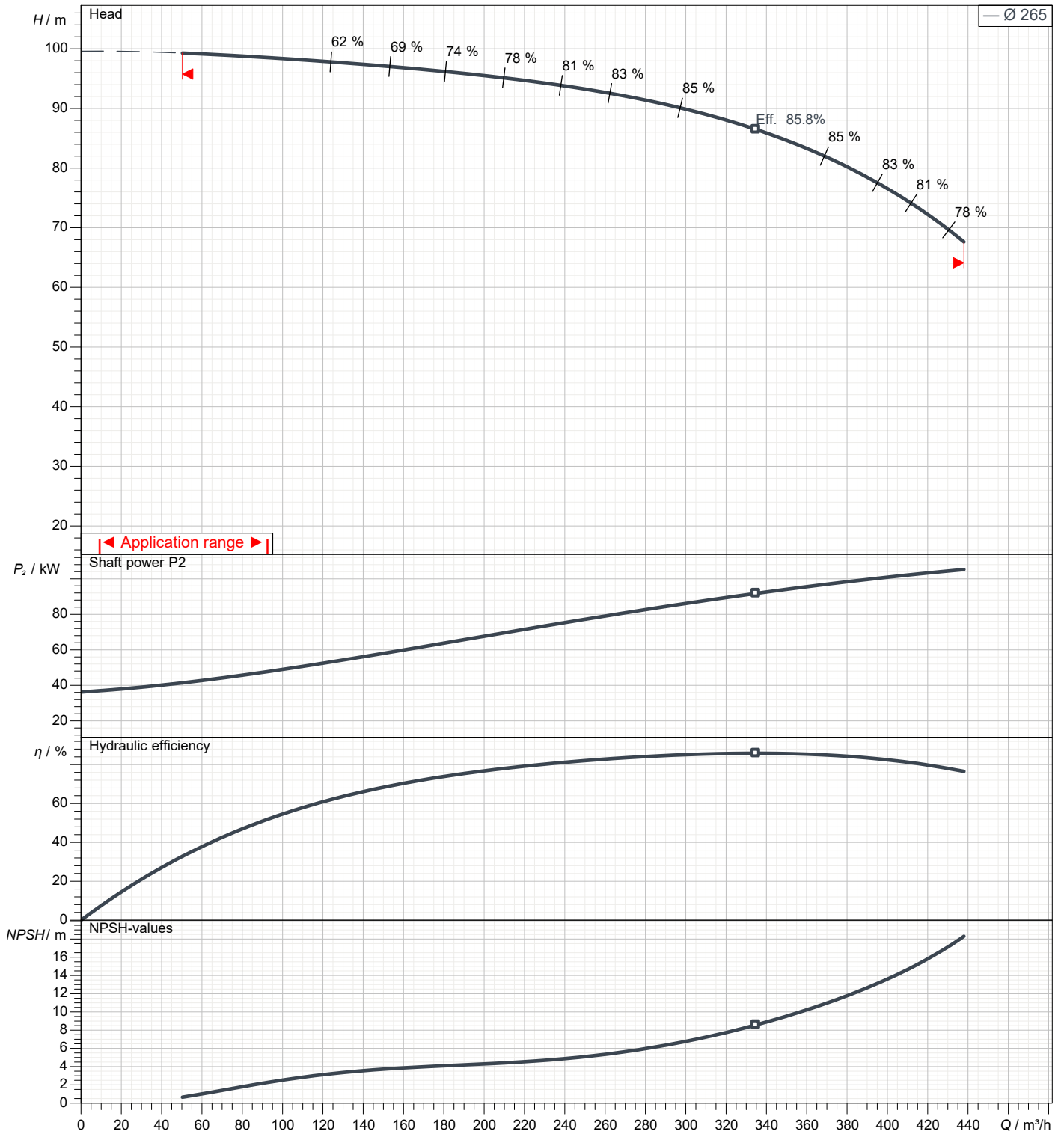
1	Flow	m ³ /h
2	Head	m
3	Geodetic head	m

Pump

Operating Flow	m ³ /h	Frequency	Hz	50
Operating Head	m	Number of poles	2	
Impeller Diameter Designed	mm	265	Speed	rpm 2900

Test standard: ISO 9906:2012 - Grade3B

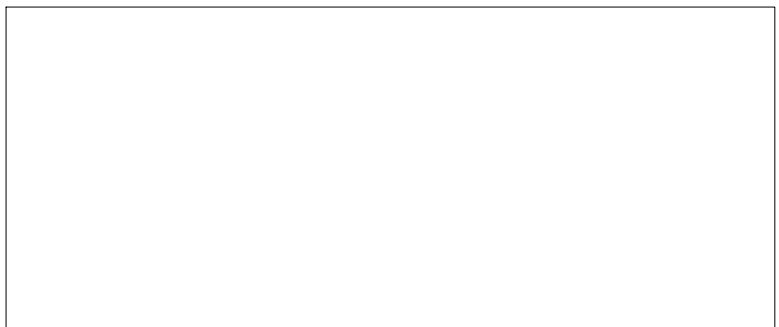
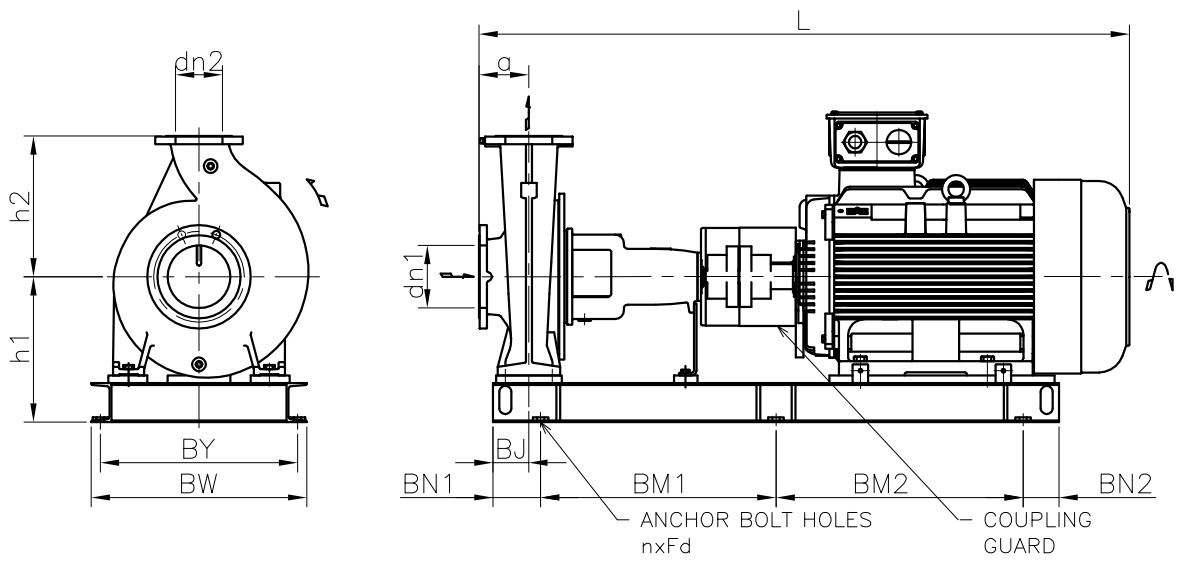
Water; 20°C; 998.3kg/m³; 1mm²/s



Dimensions

Pump name GS 100-250 /110

Customer	Date 2021-05-14	Company
Contact	Item no.	Issued by
Phone	Project	Phone
E-mail	Project ID	E-mail



Total weight : 1193 kg

Pump dimensions		mm		Suction side		mm		Discharge side		mm	
a	140										
dn1	125										
dn2	100										
h1	225										
h2	280										
L	1815										

Construction

Pump name GS 100-250 /110

Customer	Date 2021-05-14	Company
Contact	Item no.	Issued by
Phone	Project	Phone
E-mail	Project ID	E-mail