

Technical data

Pump name

GS 125-250L /200

Customer	Date	2021-05-14	Company
Contact	Item no.		Issued by
Phone	Project		Phone
E-mail	Project ID		E-mail

Requested data

1	Pump type	End Suction Volute Pump	Fluid	Water
2	Number of pumps / Reserve	1 / 0	Liquid temperature	°C 20
3	Flow	m³/h	Kin. viscosity	mm²/s 1.005
4	Head	m	Vapour pressure	kPa 2.34
5	Geodetic head	m	PH value	
6	Inlet pressure (pin)	kPa 0	Density	kg/m³ 998.3
7	Available system NPSH		Solids	Weight % 0
8	Ambient temperature	°C 20		

Pump

9	Pump name	GS 125-250L /200	Frequency	Hz 50
10	Design	End Suction Volute Pump	Installation type	with Channel base, motor
11	Manufacturer	EBARA	Impeller Diameter	Max. mm 274
12	Speed	rpm 2900		Designed mm 274
13	No. of Stage	1		Min. mm 213
14	Connection	Suction side	Flow	Operating m³/h
15	Connection	Discharge side		Max- m³/h 699
16	Max Working Pressure	kPa 1600		Min- m³/h 81.2
17	Shut-off head	kPa 959.64	Head	Operating m
18	Total weight	kg See the table of "Dimensions".		- (Qmax.) m 67.7
19	Shaft power	kW		- (Qmin.) m 97.8
20			Max. Shaft Power at max. impeller	kW 174.46
21	Required pump NPSH	m	Efficiency	%

Materials

22	Casing	FC250		
23	Impeller	FC200		
24	Shaft	SUS431eq.		
25	Case wear ring	CAC406		
26	O-ring	NBR		
27	Mechanical Seal	SiC/Carbon/FKM		

Motor

28	Manufacturer	TECHTOP	Insulation class	F
29	Type	315L2_200_3_400	Phases	3~
30	Specific design	TEFC/B3/IE3/TC / 50 Hz / Pole pairs 1	Frame size	315L2_2P
31	Rated power	kW 200	Weight	kg 1366
32	Number of poles	2	Electric voltage	V 400
33	Speed	rpm 2945	Electric current	A 339
34	Degree of protection	IP55		
35				

Remarks

Performance curve

Pump name

GS 125-250L /200

Customer	Date	2021-05-14	Company
Contact	Item no.		Issued by
Phone	Project		Phone
E-mail	Project ID		E-mail

Requested data

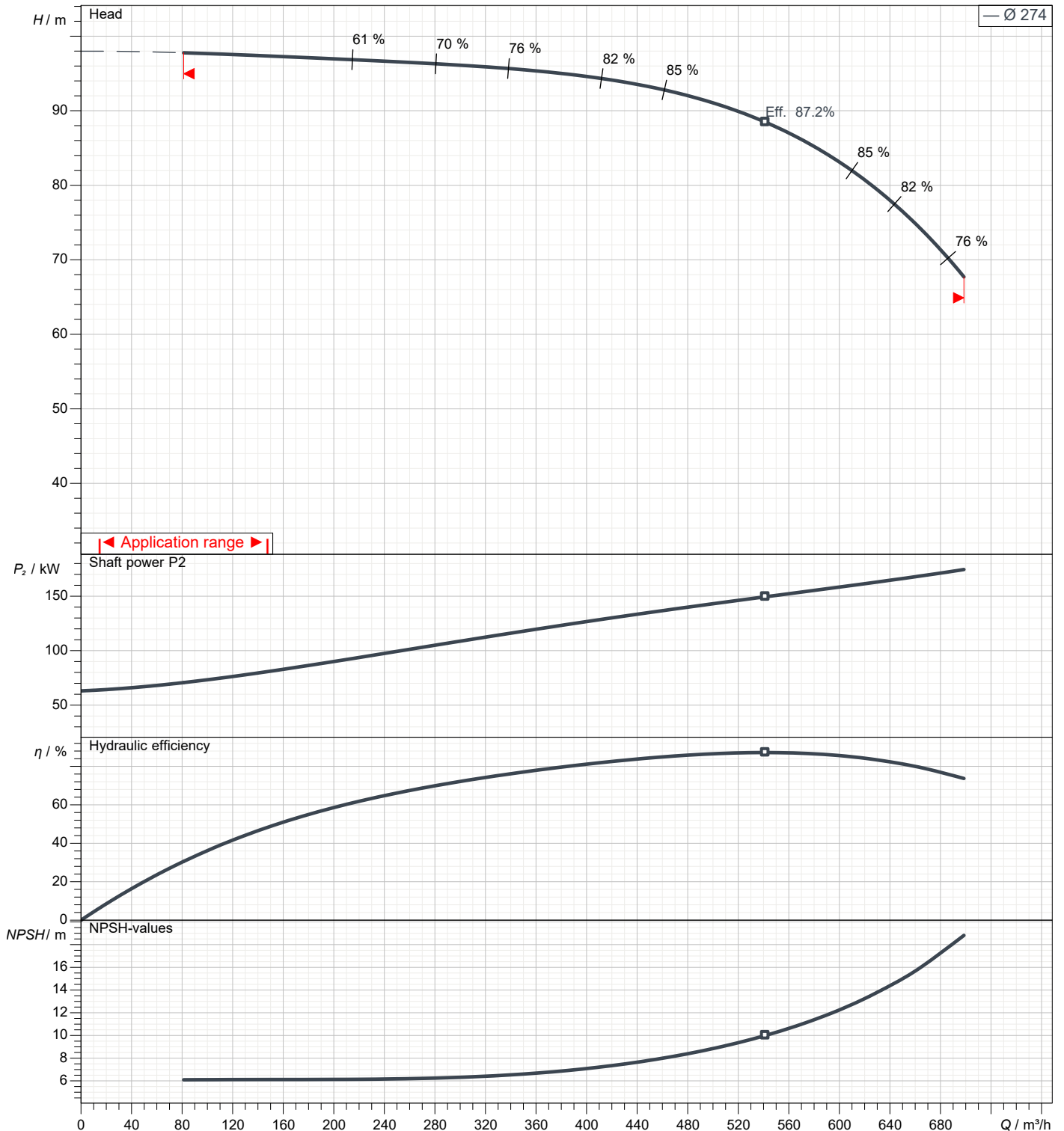
1	Flow	m³/h	
2	Head	m	
3	Geodetic head	m	

Pump

Operating Flow	m³/h		Frequency	Hz	50
Operating Head	m		Number of poles		2
ImpellerDiameter Designed	mm	274	Speed	rpm	2900

Test standard: ISO 9906:2012 - Grade3B

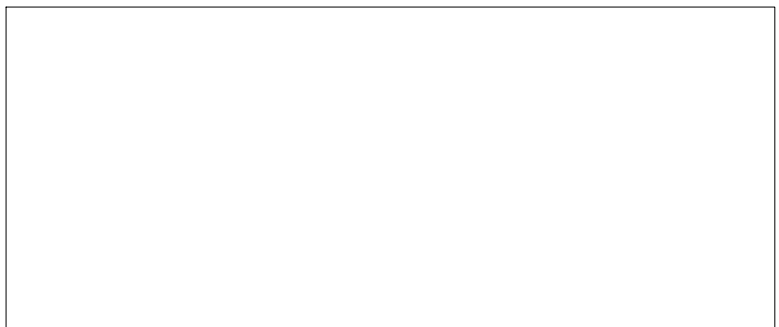
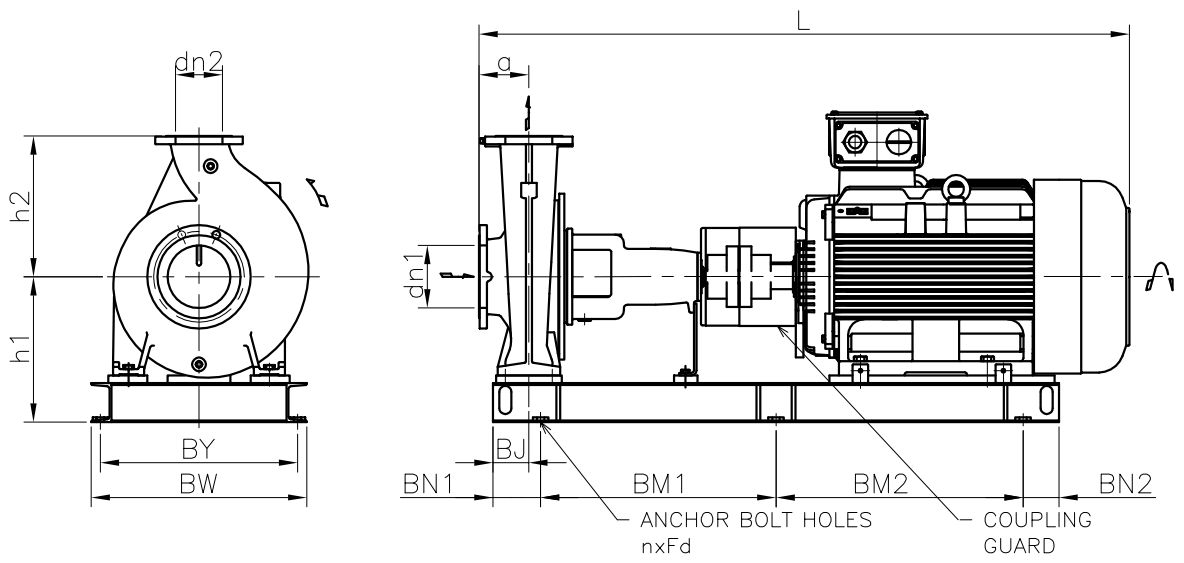
Water; 20°C; 998.3kg/m³; 1mm²/s



Dimensions

Pump name GS 125-250L /200

Customer	Date 2021-05-14	Company
Contact	Item no.	Issued by
Phone	Project	Phone
E-mail	Project ID	E-mail



Total weight : 1586 kg

Pump dimensions		mm		Suction side		mm		Discharge side		mm	
a	140										
dn1	150										
dn2	125										
h1	250										
h2	355										
L	2025										

Construction

Pump name GS 125-250L /200

Customer	Date 2021-05-14	Company
Contact	Item no.	Issued by
Phone	Project	Phone
E-mail	Project ID	E-mail