

# Technical data

Pump name

GS 150-250 /200

Customer	Date	2021-05-14	Company
Contact	Item no.		Issued by
Phone	Project		Phone
E-mail	Project ID		E-mail

## Requested data

1	Pump type	End Suction Volute Pump	Fluid	Water
2	Number of pumps / Reserve	1 / 0	Liquid temperature	°C 20
3	Flow	m³/h	Kin. viscosity	mm²/s 1.005
4	Head	m	Vapour pressure	kPa 2.34
5	Geodetic head	m	PH value	
6	Inlet pressure (pin)	kPa 0	Density	kg/m³ 998.3
7	Available system NPSH		Solids	Weight % 0
8	Ambient temperature	°C 20		

## Pump

9	Pump name	GS 150-250 /200	Frequency	Hz 50
10	Design	End Suction Volute Pump	Installation type	with Channel base, motor
11	Manufacturer	EBARA	Impeller Diameter	Max. mm 250
12	Speed	rpm 2900		Designed mm 250
13	No. of Stage	1		Min. mm 213
14	Connection Suction side	EN PN16	Flow	Operating m³/h
15	Connection Discharge side	EN PN16		Max- m³/h 1170
16	Max Working Pressure	kPa 1600		Min- m³/h 129
17	Shut-off head	kPa 793.75	Head	Operating m
18	Total weight	kg See the table of "Dimensions".		- (Qmax.) m 49.1
19	Shaft power	kW		- (Qmin.) m 82.0
20			Max. Shaft Power at max. impeller	kW 204.91
21	Required pump NPSH	m	Efficiency	%

## Materials

22	Casing	FC250	
23	Impeller	FC200	
24	Shaft	SUS431eq.	
25	Case wear ring	CAC406	
26	O-ring	NBR	
27	Mechanical Seal	SiC/Carbon/FKM	

## Motor

28	Manufacturer	TECHTOP	Insulation class	F
29	Type	315L2_200_3_400	Phases	3~
30	Specific design	TEFC/B3/IE3/TC / 50 Hz / Pole pairs 1	Frame size	315L2_2P
31	Rated power	kW 200	Weight	kg 1366
32	Number of poles	2	Electric voltage	V 400
33	Speed	rpm 2945	Electric current	A 339
34	Degree of protection	IP55		
35				

## Remarks

# Performance curve

Pump name

GS 150-250 /200

Customer	Date 2021-05-14	Company
Contact	Item no.	Issued by
Phone	Project	Phone
E-mail	Project ID	E-mail

## Requested data

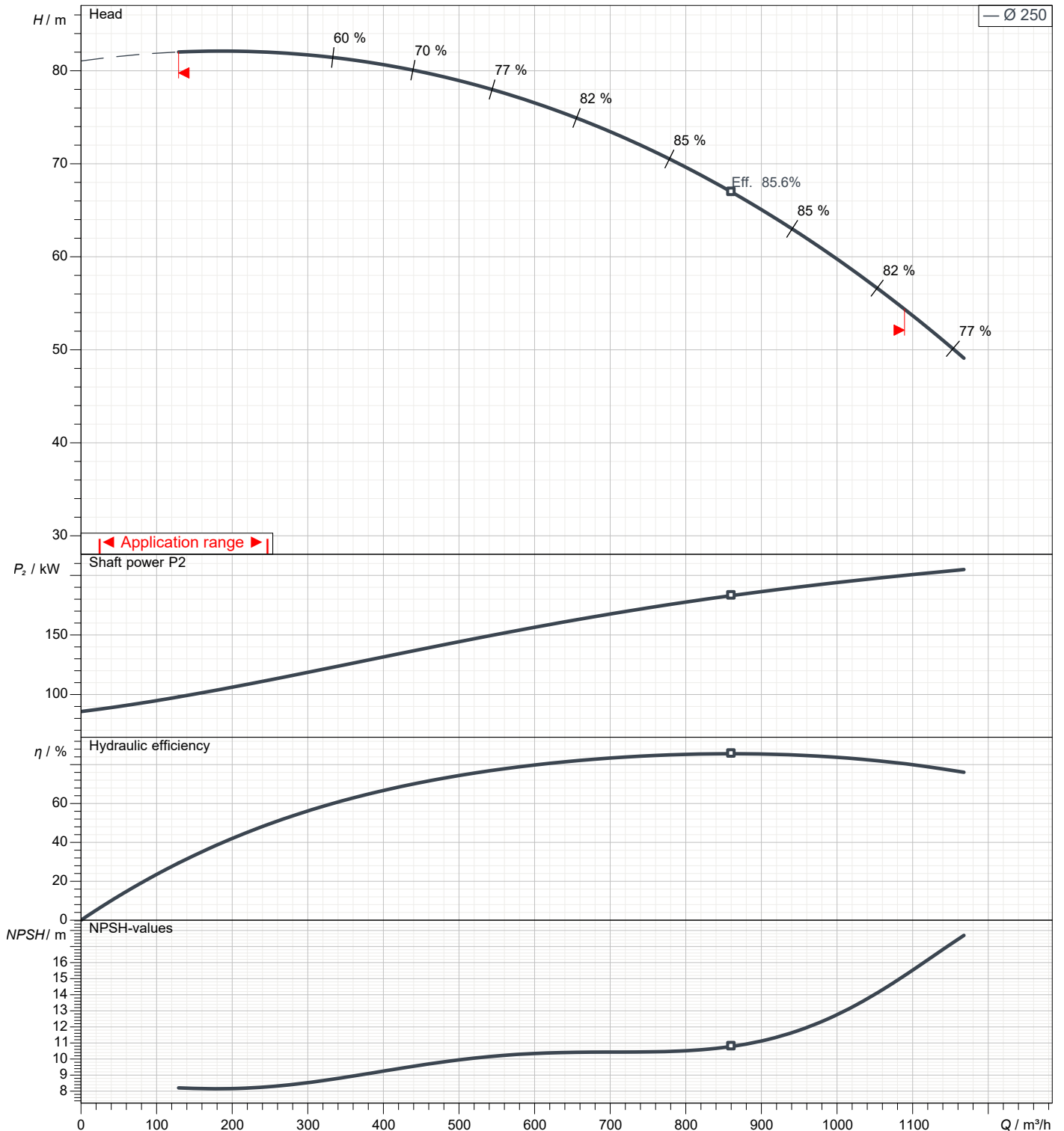
1	Flow	m <sup>3</sup> /h	
2	Head	m	
3	Geodetic head	m	

## Pump

Operating Flow	m <sup>3</sup> /h	Frequency	Hz	50
Operating Head	m	Number of poles		2
Impeller Diameter Designed	mm	Speed	rpm	2900

Test standard: ISO 9906:2012 - Grade3B

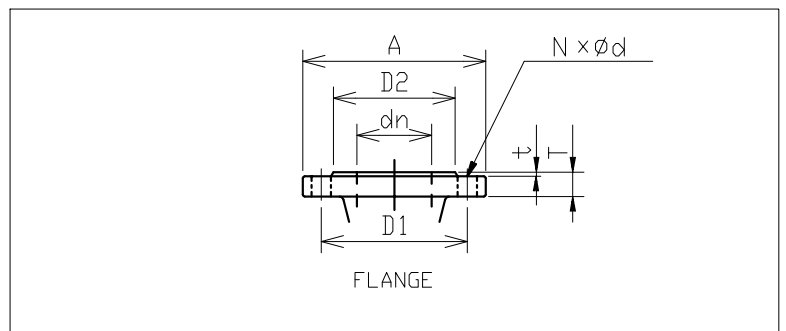
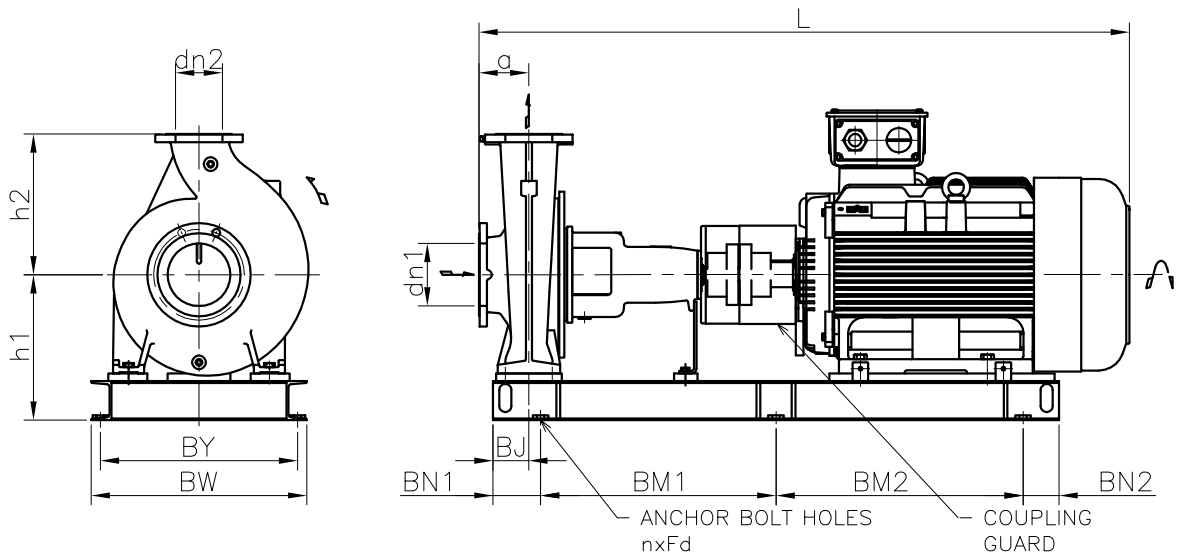
Water; 20°C; 998.3kg/m<sup>3</sup>; 1mm<sup>2</sup>/s



# Dimensions

Pump name GS 150-250 /200

Customer	Date 2021-05-14	Company
Contact	Item no.	Issued by
Phone	Project	Phone
E-mail	Project ID	E-mail



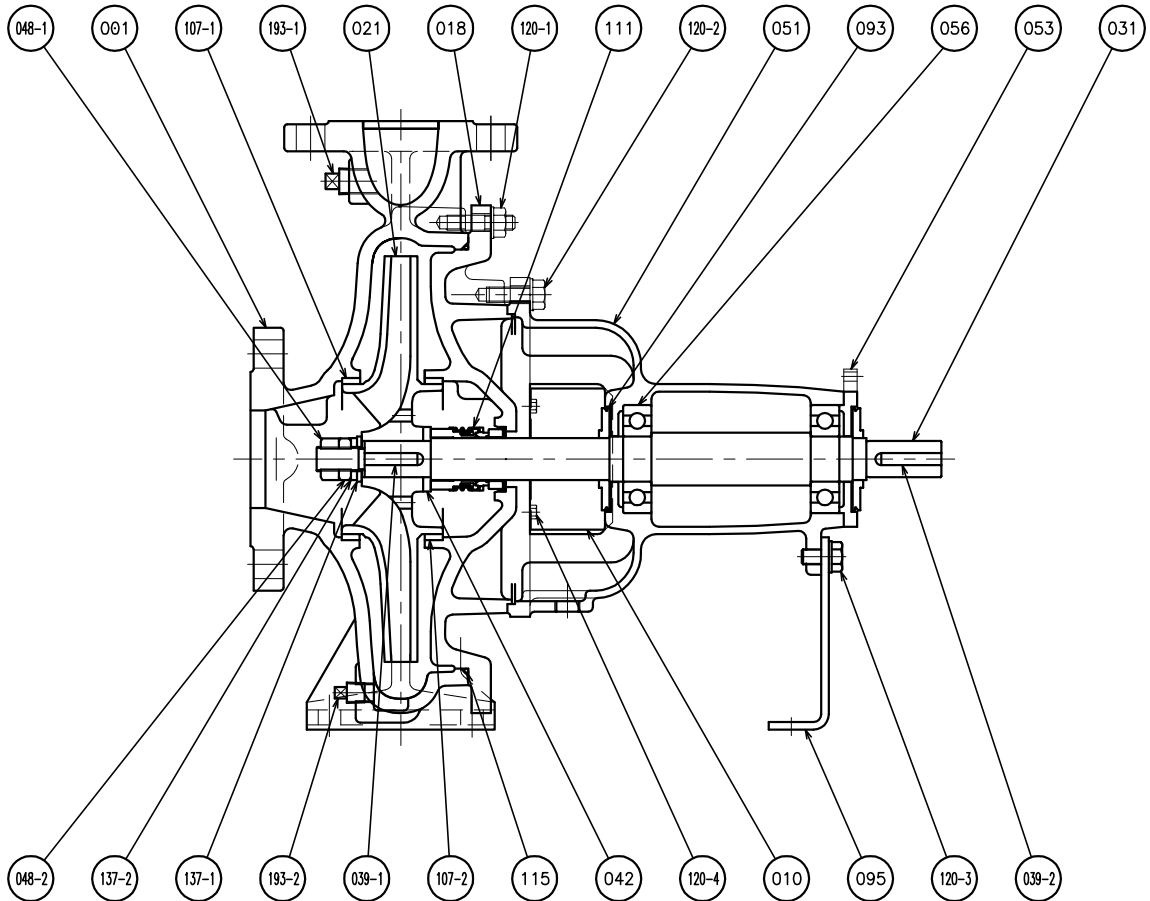
Total weight : 1621 kg

Pump dimensions		mm	Suction side	mm	Discharge side	mm
a	160		A	340	A	285
dn1	200		d	23	d	23
dn2	150		D1	295	D1	240
h1	280		D2	266	D2	211
h2	375		dn	200	dn	150
L	2045		N	12(Num)	N	8(Num)
			t	2	t	2
			T	30	T	26

# Construction

Pump name GS 150-250 /200

Customer	Date 2021-05-14	Company
Contact	Item no.	Issued by
Phone	Project	Phone
E-mail	Project ID	E-mail



193-2	PLUG	SS	1	CARBON STEEL
193-1	PLUG	SS	1	CARBON STEEL
137-2	SPRING LOCK WASHER	SUS304	1	304 STAINLESS STEEL
137-1	PLAIN WASHER	SUS304	1	304 STAINLESS STEEL
120-4	BOLT WITH WASHER	SS400	4	CARBON STEEL
120-3	BOLT WITH WASHER	SS400	1	CARBON STEEL
120-2	BOLT WITH WASHER	SS400	6	CARBON STEEL
120-1	BOLT & NUT WITH WASHER	SS400	N	CARBON STEEL
115	O RING	NBR	1	
111	MECHANICAL SEAL	-	1	
107-2	CASING RING	CAC406	1	BRONZE
107-1	CASING RING	CAC406	1	BRONZE
095	STAY	SPHC	1	CARBON STEEL
093	DEFLECTOR	EPDM	2	
056	BALL BEARING	-	2	
053	BEARING COVER	FC150	1	CAST IRON
051	BEARING HOUSING	FC150	1	CAST IRON
048-2	IMPELLER NUT(B)	SUS304	1	304 STAINLESS STEEL
048-1	IMPELLER NUT(A)	SUS304	1	304 STAINLESS STEEL
042	SPACER	SUS304	1	304 STAINLESS STEEL
039-2	KEY	S50C	1	CARBON STEEL
039-1	KEY	SUS420Q	1	12% Cr. STEEL
031	SHAFT	SUS431eq.	1	Cr. STEEL
021	IMPELLER	FC200	1	CAST IRON
018	CASING COVER	FC250	1	CAST IRON
010	PROTECTOR	SPCC	2	CARBON STEEL
001	CASING	FC250	1	CAST IRON
No.	NAME OF PART	MATERIAL	Qty	REMARKS