

Technical data

Pump name

GS 40-200 /18.5

Customer	Date	2021-05-14	Company
Contact	Item no.		Issued by
Phone	Project		Phone
E-mail	Project ID		E-mail

Requested data

1	Pump type	End Suction Volute Pump	Fluid	Water
2	Number of pumps / Reserve	1 / 0	Liquid temperature	°C 20
3	Flow	m³/h	Kin. viscosity	mm²/s 1.005
4	Head	m	Vapour pressure	kPa 2.34
5	Geodetic head	m	PH value	
6	Inlet pressure (pin)	kPa 0	Density	kg/m³ 998.3
7	Available system NPSH		Solids	Weight % 0
8	Ambient temperature	°C 20		

Pump

9	Pump name	GS 40-200 /18.5	Frequency	Hz 50
10	Design	End Suction Volute Pump	Installation type	with ISO base, motor
11	Manufacturer	EBARA	Impeller Diameter	Max. mm 219
12	Speed	rpm 2900		Designed mm 219
13	No. of Stage	1		Min. mm 172
14	Connection Suction side	EN PN16	Flow	Operating m³/h
15	Connection Discharge side	EN PN16		Max- m³/h 80
16	Max Working Pressure	kPa 1600		Min- m³/h 10
17	Shut-off head	kPa 653.81	Head	Operating m
18	Total weight	kg See the table of "Dimensions".		- (Qmax.) m 52.5
19	Shaft power	kW		- (Qmin.) m 66.7
20			Max. Shaft Power at max. impeller	kW 15.87
21	Required pump NPSH	m	Efficiency	%

Materials

22	Casing	FC250		
23	Impeller	FC200		
24	Shaft	SUS431eq.		
25	Case wear ring	CAC406		
26	O-ring	NBR		
27	Mechanical Seal	SiC/Carbon/FKM		

Motor

28	Manufacturer	TECHTOP	Insulation class	F
29	Type	160L_18.5_3_400	Phases	3~
30	Specific design	TEFC/B3/IE3/TC / 50 Hz / Pole pairs 1	Frame size	160L
31	Rated power	kW 18.5	Weight	kg 170
32	Number of poles	2	Electric voltage	V 400
33	Speed	rpm 2920	Electric current	A 31.4
34	Degree of protection	IP55		
35				

Remarks

Performance curve

Pump name

GS 40-200 /18.5

Customer	Date	2021-05-14	Company
Contact	Item no.		Issued by
Phone	Project		Phone
E-mail	Project ID		E-mail

Requested data

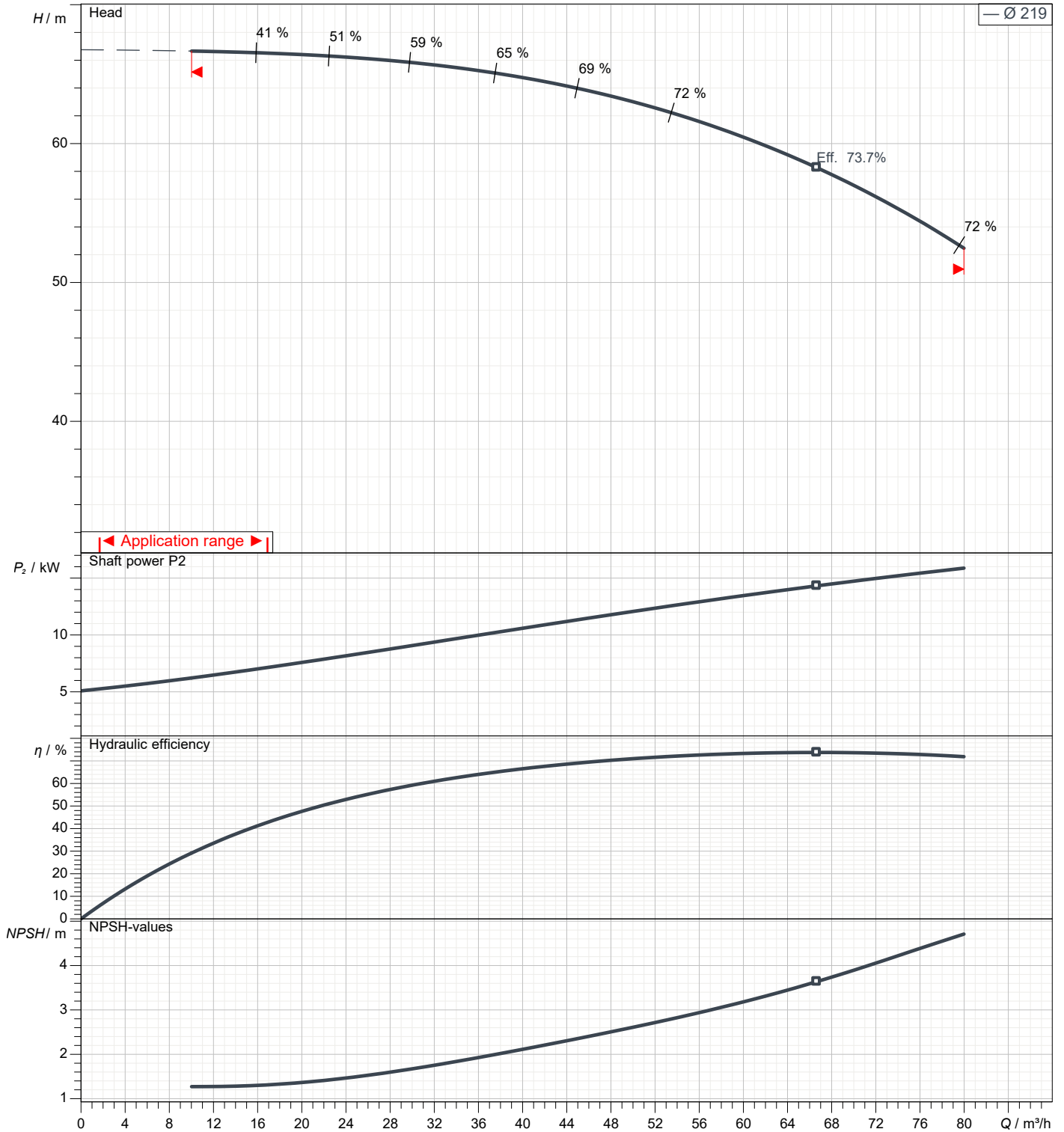
1	Flow	m ³ /h	
2	Head	m	
3	Geodetic head	m	

Pump

Operating Flow	m ³ /h		Frequency	Hz	50
Operating Head	m		Number of poles		2
Impeller Diameter Designed	mm	219	Speed	rpm	2900

Test standard: ISO 9906:2012 - Grade3B

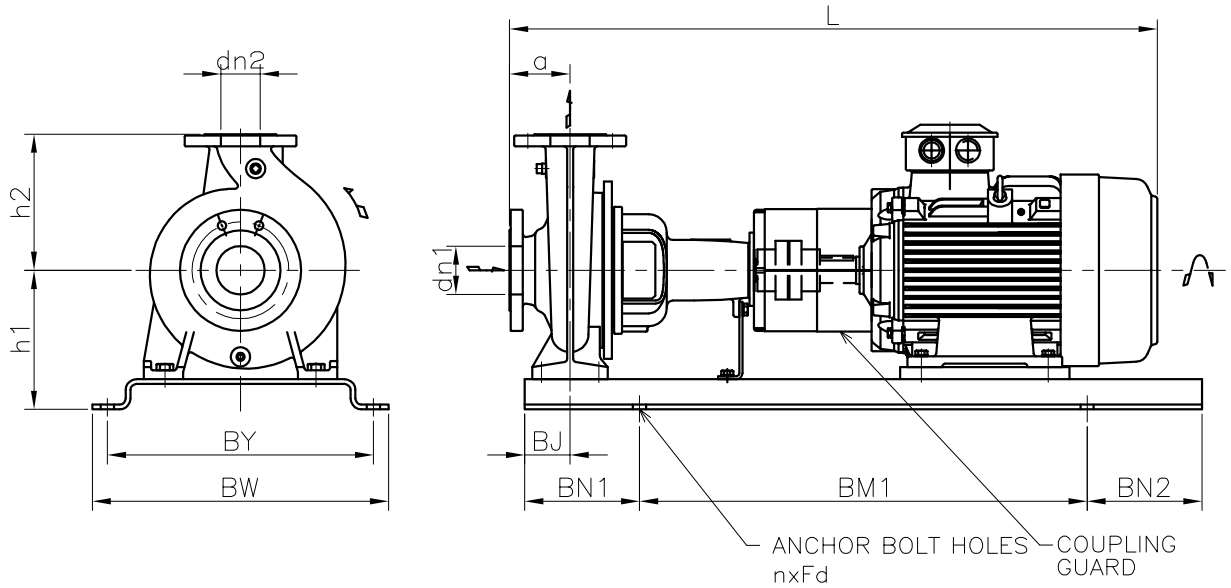
Water; 20°C; 998.3kg/m³; 1mm²/s



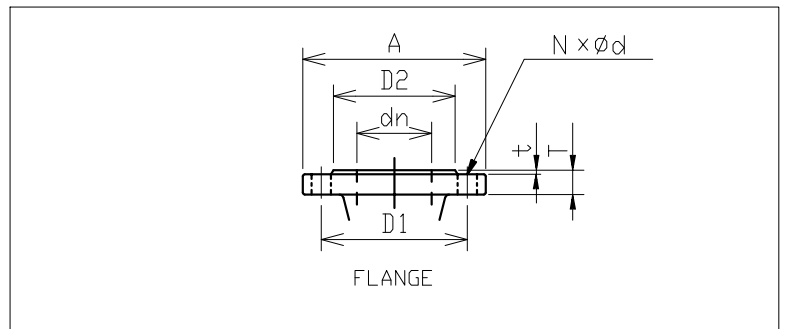
Dimensions

Pump name GS 40-200 /18.5

Customer	Date 2021-05-14	Company
Contact	Item no.	Issued by
Phone	Project	Phone
E-mail	Project ID	E-mail



This base is not necessary to grout.
Special base can be provided for grouting.



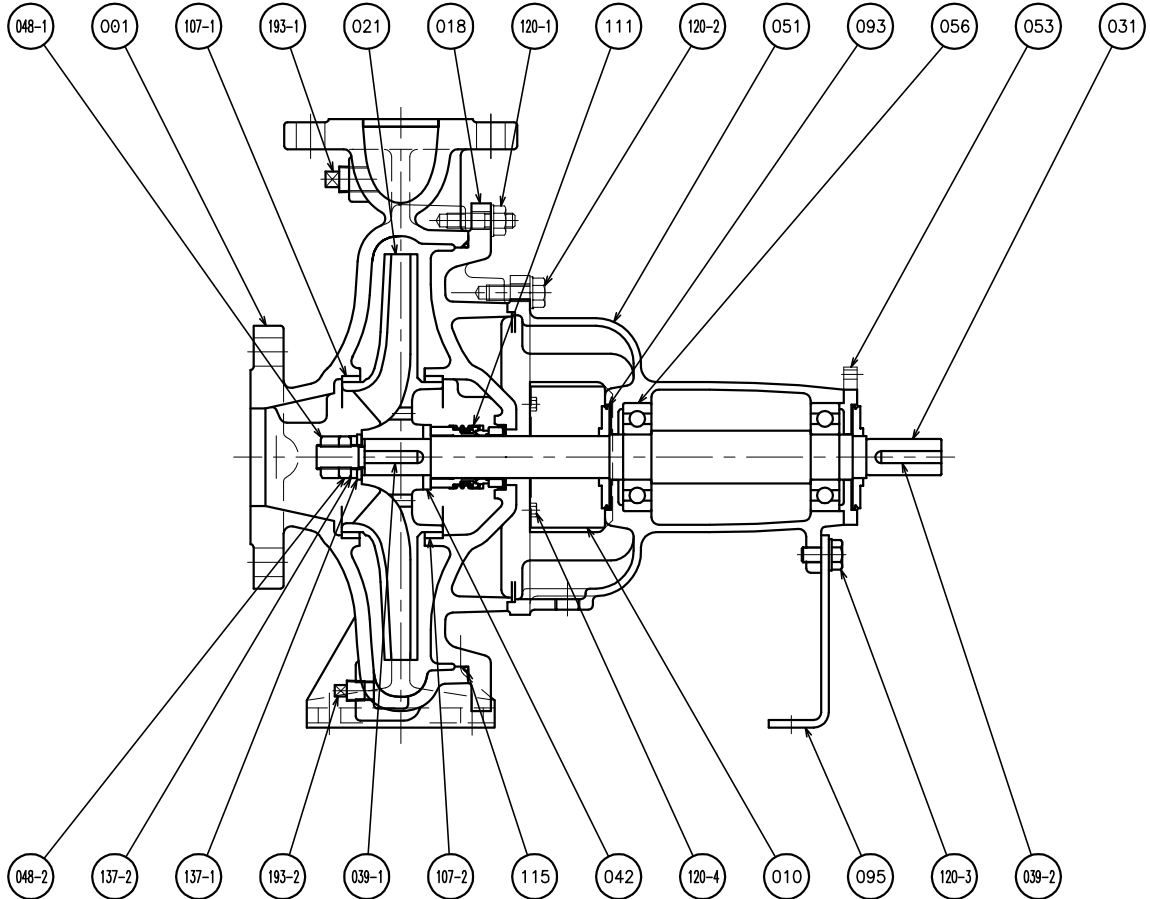
Total weight : 234 kg

Pump dimensions		mm	Suction side	mm	Discharge side	mm
a	100		A	185	A	150
BJ	60		d	19	d	19
BM1	660		D1	145	D1	110
BN1	170		D2	118	D2	84
BN2	170		dn	65	dn	40
BW	450		N	4(Num)	N	4(Num)
BY	400		t	2	t	2
dn1	65		T	20	T	18
dn2	40					
h1	210					
h2	180					
L	1113					
nxFd	4xM20					

Construction

Pump name GS 40-200 /18.5

Customer	Date 2021-05-14	Company
Contact	Item no.	Issued by
Phone	Project	Phone
E-mail	Project ID	E-mail



193-2	PLUG	SS	1	CARBON STEEL
193-1	PLUG	SS	1	CARBON STEEL
137-2	SPRING LOCK WASHER	SUS304	1	304 STAINLESS STEEL
137-1	PLAIN WASHER	SUS304	1	304 STAINLESS STEEL
120-4	BOLT WITH WASHER	SS400	4	CARBON STEEL
120-3	BOLT WITH WASHER	SS400	1	CARBON STEEL
120-2	BOLT WITH WASHER	SS400	6	CARBON STEEL
120-1	BOLT & NUT WITH WASHER	SS400	N	CARBON STEEL
115	O RING	NBR	1	
111	MECHANICAL SEAL	-	1	
107-2	CASING RING	CAC406	1	BRONZE
107-1	CASING RING	CAC406	1	BRONZE
095	STAY	SPHC	1	CARBON STEEL
093	DEFLECTOR	EPDM	2	
056	BALL BEARING	-	2	
053	BEARING COVER	FC150	1	CAST IRON
051	BEARING HOUSING	FC150	1	CAST IRON
048-2	IMPELLER NUT(B)	SUS304	1	304 STAINLESS STEEL
048-1	IMPELLER NUT(A)	SUS304	1	304 STAINLESS STEEL
042	SPACER	SUS304	1	304 STAINLESS STEEL
039-2	KEY	S50C	1	CARBON STEEL
039-1	KEY	SUS420Q	1	12% Cr. STEEL
031	SHAFT	SUS431eq.	1	Cr. STEEL
021	IMPELLER	FC200	1	CAST IRON
018	CASING COVER	FC250	1	CAST IRON
010	PROTECTOR	SPCC	2	CARBON STEEL
001	CASING	FC250	1	CAST IRON
No.	NAME OF PART	MATERIAL	Qty	REMARKS