

Technical data

Pump name

GS 40-250 /30

Customer	Date	2021-05-14	Company
Contact	Item no.		Issued by
Phone	Project		Phone
E-mail	Project ID		E-mail

Requested data

1	Pump type	End Suction Volute Pump	Fluid	Water
2	Number of pumps / Reserve	1 / 0	Liquid temperature	°C 20
3	Flow	m³/h	Kin. viscosity	mm²/s 1.005
4	Head	m	Vapour pressure	kPa 2.34
5	Geodetic head	m	PH value	
6	Inlet pressure (pin)	kPa 0	Density	kg/m³ 998.3
7	Available system NPSH		Solids	Weight % 0
8	Ambient temperature	°C 20		

Pump

9	Pump name	GS 40-250 /30	Frequency	Hz 50
10	Design	End Suction Volute Pump	Installation type	with ISO base, motor
11	Manufacturer	EBARA	Impeller Diameter	Max. mm 260
12	Speed	rpm 2900		Designed mm 260
13	No. of Stage	1		Min. mm 211
14	Connection	Suction side	Flow	Operating m³/h
15	Connection	Discharge side		Max- m³/h 82
16	Max Working Pressure	kPa 1600		Min- m³/h 10.6
17	Shut-off head	kPa 940.17	Head	Operating m
18	Total weight	kg See the table of "Dimensions".		- (Qmax.) m 75.2
19	Shaft power	kW		- (Qmin.) m 96.2
20			Max. Shaft Power at max. impeller	kW 24.33
21	Required pump NPSH	m	Efficiency	%

Materials

22	Casing	FC250		
23	Impeller	FC200		
24	Shaft	SUS431eq.		
25	Case wear ring	CAC406		
26	O-ring	NBR		
27	Mechanical Seal	SiC/Carbon/FKM		

Motor

28	Manufacturer	TECHTOP	Insulation class	F
29	Type	200L1_30_3_400	Phases	3~
30	Specific design	TEFC/B3/IE3/TC / 50 Hz / Pole pairs 1	Frame size	200L1
31	Rated power	kW 30	Weight	kg 261
32	Number of poles	2	Electric voltage	V 400
33	Speed	rpm 2925	Electric current	A 52.7
34	Degree of protection	IP55		
35				

Remarks

Performance curve

Pump name

GS 40-250 /30

Customer	Date	2021-05-14	Company
Contact	Item no.		Issued by
Phone	Project		Phone
E-mail	Project ID		E-mail

Requested data

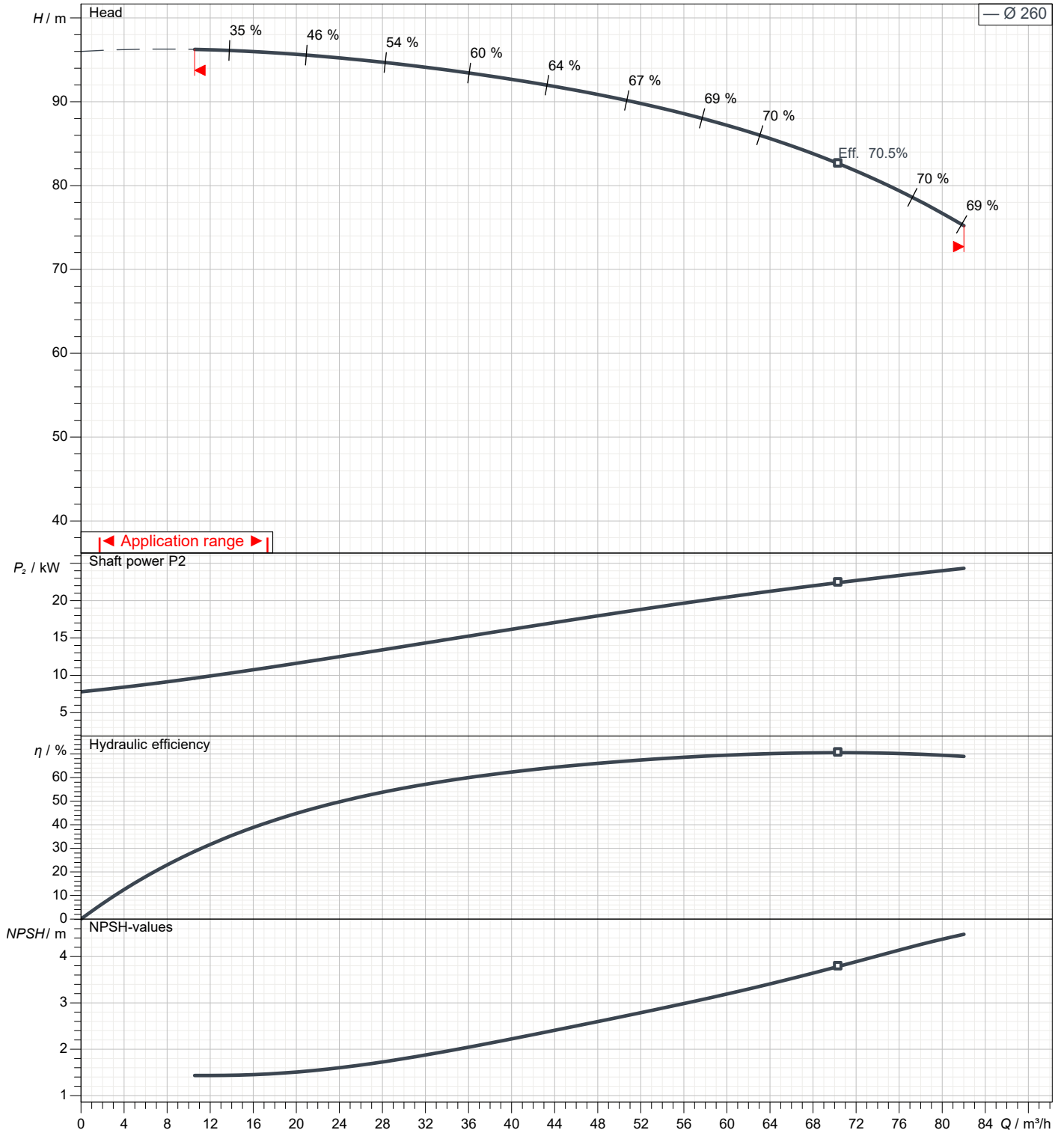
1	Flow	m³/h	
2	Head	m	
3	Geodetic head	m	

Pump

Operating Flow	m³/h		Frequency	Hz	50
Operating Head	m		Number of poles		2
Impeller Diameter Designed	mm	260	Speed	rpm	2900

Test standard: ISO 9906:2012 - Grade3B

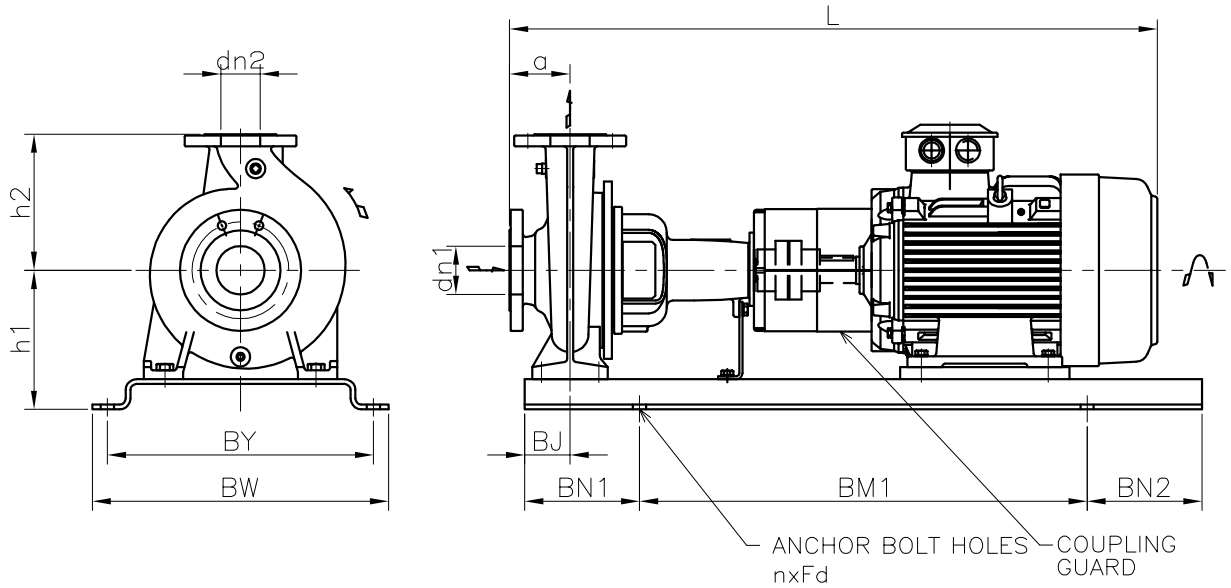
Water; 20°C; 998.3kg/m³; 1mm²/s



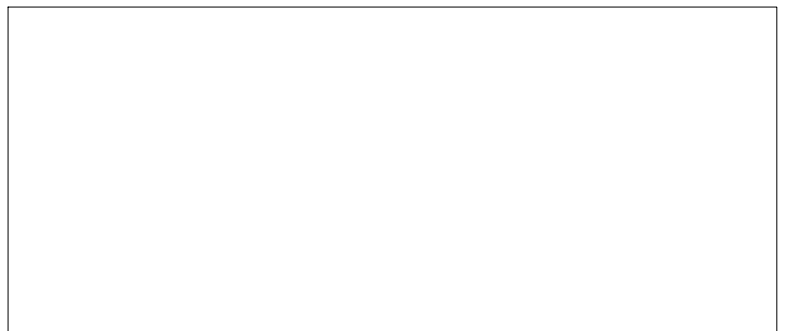
Dimensions

Pump name GS 40-250 /30

Customer	Date 2021-05-14	Company
Contact	Item no.	Issued by
Phone	Project	Phone
E-mail	Project ID	E-mail



This base is not necessary to grout.
Special base can be provided for grouting.



Total weight : 376 kg

Pump dimensions		mm		Suction side		mm		Discharge side		mm	
a	100										
dn1	65										
dn2	40										
h1	180										
h2	225										
L	1228										

Construction

Pump name GS 40-250 /30

Customer	Date 2021-05-14	Company
Contact	Item no.	Issued by
Phone	Project	Phone
E-mail	Project ID	E-mail