

# Technical data

Pump name

GS 50-200 /22

Customer	Date 2021-05-14	Company
Contact	Item no.	Issued by
Phone	Project	Phone
E-mail	Project ID	E-mail

## Requested data

1	Pump type	End Suction Volute Pump	Fluid	Water
2	Number of pumps / Reserve	1 / 0	Liquid temperature	°C 20
3	Flow m <sup>3</sup> /h		Kin. viscosity	mm <sup>2</sup> /s 1.005
4	Head m		Vapour pressure	kPa 2.34
5	Geodetic head m		PH value	
6	Inlet pressure (pin) kPa	0	Density	kg/m <sup>3</sup> 998.3
7	Available system NPSH		Solids	Weight % 0
8	Ambient temperature °C	20		

## Pump

9	Pump name	GS 50-200 /22	Frequency	Hz 50
10	Design	End Suction Volute Pump	Installation type	with ISO base, motor
11	Manufacturer	EBARA	Impeller Diameter	Max. mm 219
12	Speed rpm	2900		Designed mm 219
13	No. of Stage	1		Min. mm 171
14	Connection Suction side	EN PN16	Flow	Operating m <sup>3</sup> /h
15	Connection Discharge side	EN PN16		Max- m <sup>3</sup> /h 130
16	Max Working Pressure kPa	1600		Min- m <sup>3</sup> /h 13.4
17	Shut-off head kPa	656.14	Head	Operating m
18	Total weight kg	See the table of "Dimensions".		- (Qmax.) m 44.7
19	Shaft power kW			- (Qmin.) m 67.0
20			Max. Shaft Power at max. impeller	kW 22.88
21	Required pump NPSH m		Efficiency	%

## Materials

22	Casing	FC250		
23	Impeller	FC200		
24	Shaft	SUS431eq.		
25	Case wear ring	CAC406		
26	O-ring	NBR		
27	Mechanical Seal	SiC/Carbon/FKM		

## Motor

28	Manufacturer	TECHTOP	Insulation class	F
29	Type	180M_22_3_400	Phases	3~
30	Specific design	TEFC/B3/IE3/TC / 50 Hz / Pole pairs 1	Frame size	180M
31	Rated power kW	22	Weight	kg 198
32	Number of poles	2	Electric voltage	V 400
33	Speed rpm	2930	Electric current	A 38.5
34	Degree of protection	IP55		
35				

## Remarks

# Performance curve

Pump name

GS 50-200 /22

Customer	Date 2021-05-14	Company
Contact	Item no.	Issued by
Phone	Project	Phone
E-mail	Project ID	E-mail

## Requested data

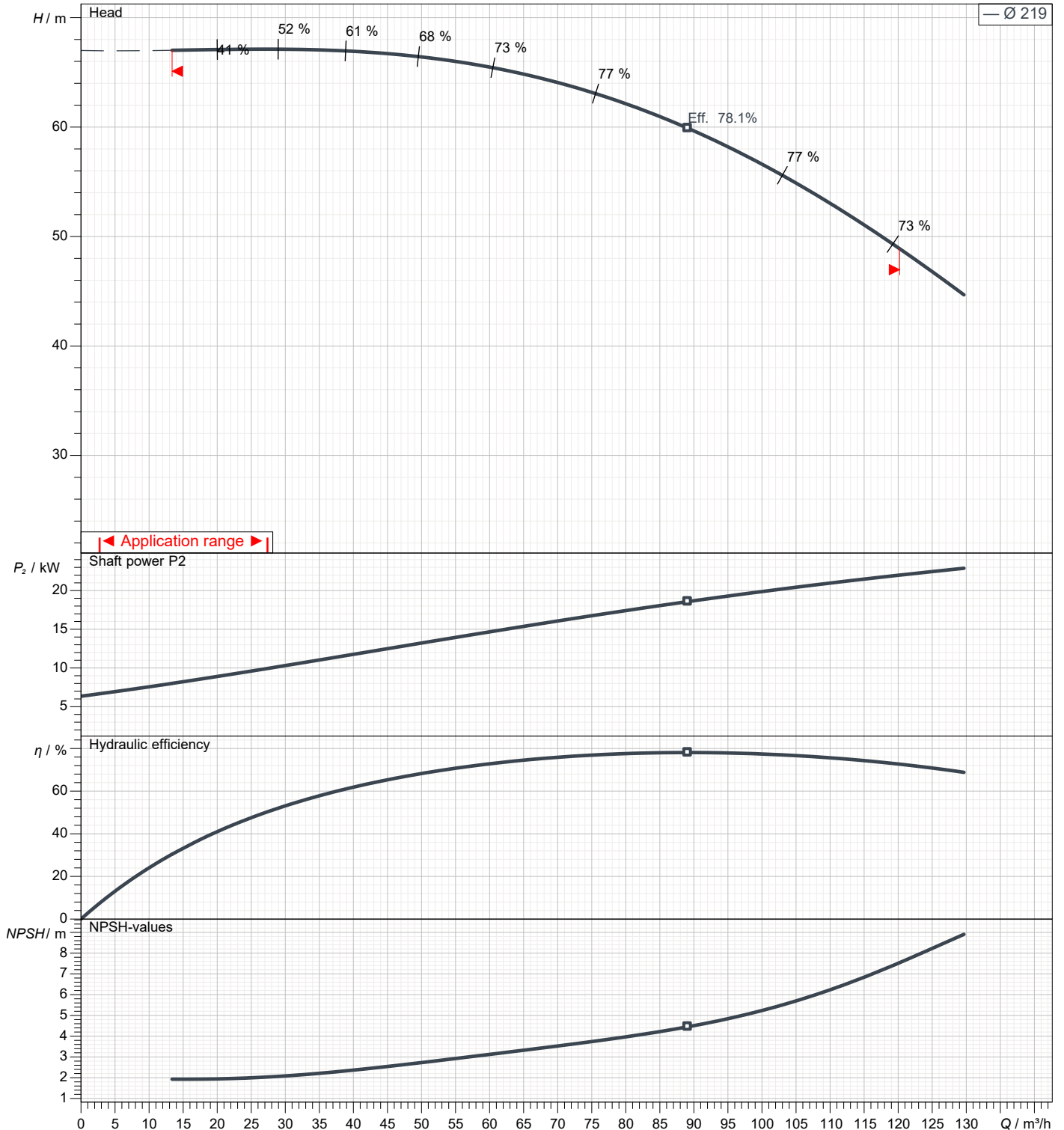
1	Flow	m <sup>3</sup> /h	
2	Head	m	
3	Geodetic head	m	

## Pump

Operating Flow	m <sup>3</sup> /h	Frequency	Hz	50
Operating Head	m	Number of poles		2
Impeller Diameter Designed	mm	Speed	rpm	2900

Test standard: ISO 9906:2012 - Grade3B

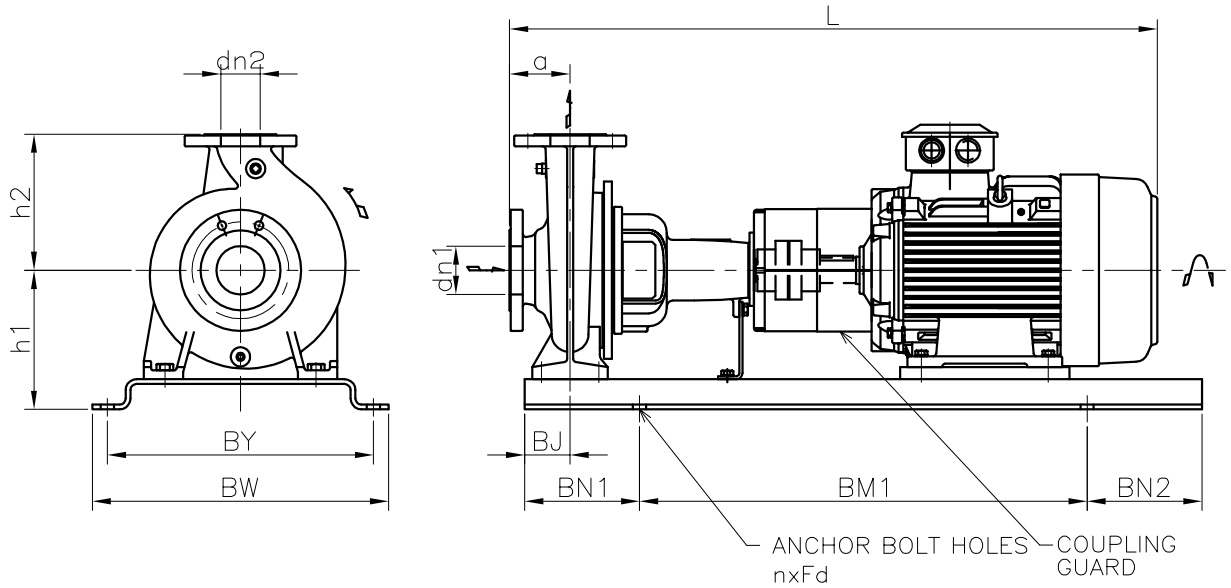
Water; 20°C; 998.3kg/m<sup>3</sup>; 1mm<sup>2</sup>/s



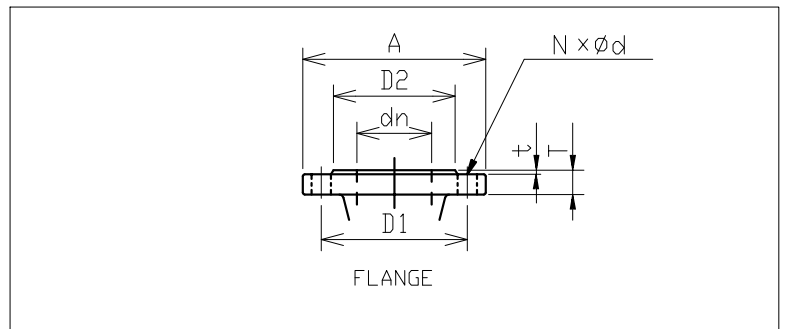
# Dimensions

Pump name GS 50-200 /22

Customer	Date 2021-05-14	Company
Contact	Item no.	Issued by
Phone	Project	Phone
E-mail	Project ID	E-mail



This base is not necessary to grout.  
Special base can be provided for grouting.



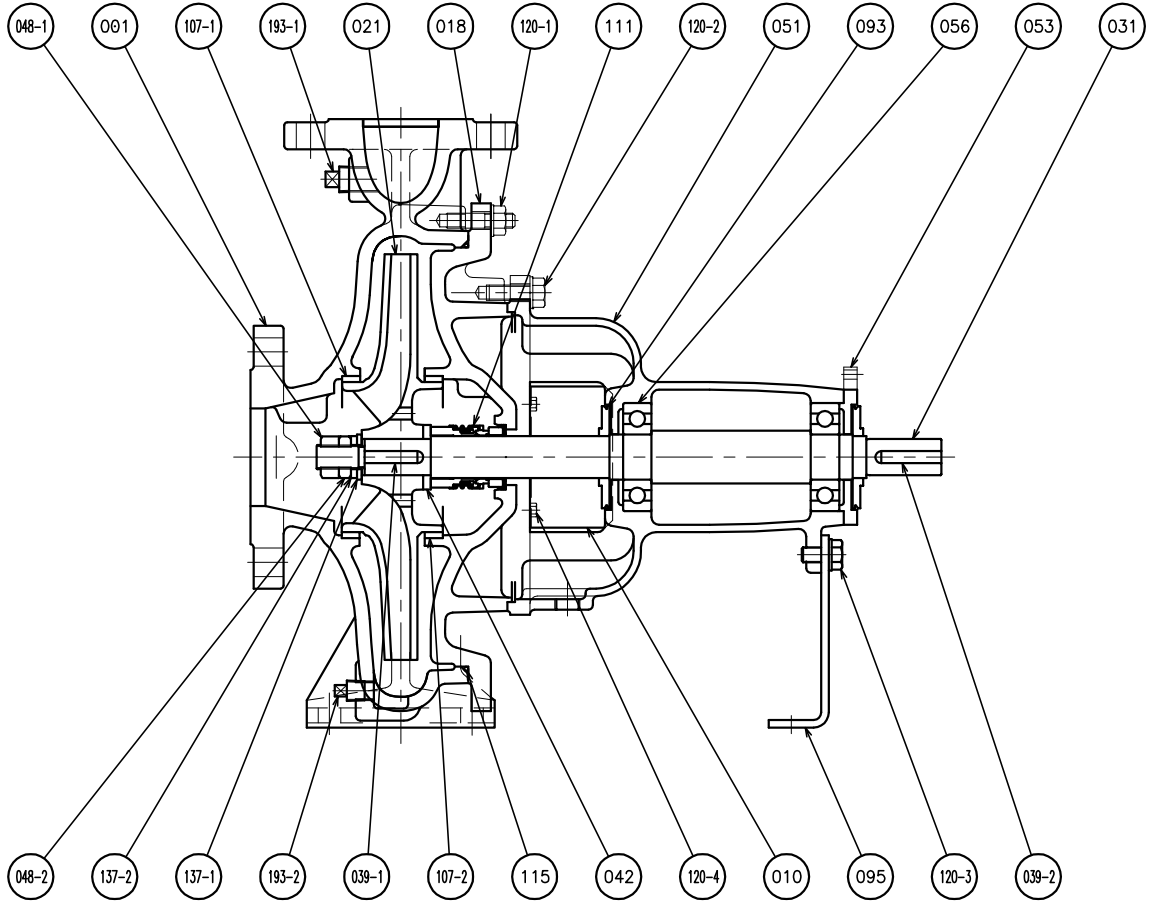
Total weight : 287 kg

Pump dimensions		mm	Suction side	mm	Discharge side	mm
a	100		A	185	A	165
BJ	60		d	19	d	19
BM1	660		D1	145	D1	125
BN1	170		D2	118	D2	99
BN2	170		dn	65	dn	50
BW	490		N	4(Num)	N	4(Num)
BY	440		t	2	t	2
dn1	65		T	20	T	20
dn2	50					
h1	230					
h2	200					
L	1151					
nxFd	4xM20					

# Construction

Pump name GS 50-200 /22

Customer	Date 2021-05-14	Company
Contact	Item no.	Issued by
Phone	Project	Phone
E-mail	Project ID	E-mail



193-2	PLUG	SS	1	CARBON STEEL
193-1	PLUG	SS	1	CARBON STEEL
137-2	SPRING LOCK WASHER	SUS304	1	304 STAINLESS STEEL
137-1	PLAIN WASHER	SUS304	1	304 STAINLESS STEEL
120-4	BOLT WITH WASHER	SS400	4	CARBON STEEL
120-3	BOLT WITH WASHER	SS400	1	CARBON STEEL
120-2	BOLT WITH WASHER	SS400	6	CARBON STEEL
120-1	BOLT & NUT WITH WASHER	SS400	N	CARBON STEEL
115	O RING	NBR	1	
111	MECHANICAL SEAL	-	1	
107-2	CASING RING	CAC406	1	BRONZE
107-1	CASING RING	CAC406	1	BRONZE
095	STAY	SPHC	1	CARBON STEEL
093	DEFLECTOR	EPDM	2	
056	BALL BEARING	-	2	
053	BEARING COVER	FC150	1	CAST IRON
051	BEARING HOUSING	FC150	1	CAST IRON
048-2	IMPELLER NUT(B)	SUS304	1	304 STAINLESS STEEL
048-1	IMPELLER NUT(A)	SUS304	1	304 STAINLESS STEEL
042	SPACER	SUS304	1	304 STAINLESS STEEL
039-2	KEY	S50C	1	CARBON STEEL
039-1	KEY	SUS420Q	1	12% Cr. STEEL
031	SHAFT	SUS431eq.	1	Cr. STEEL
021	IMPELLER	FC200	1	CAST IRON
018	CASING COVER	FC250	1	CAST IRON
010	PROTECTOR	SPCC	2	CARBON STEEL
001	CASING	FC250	1	CAST IRON
No.	NAME OF PART	MATERIAL	Qty	REMARKS