

Technical data

Pump name

GS 50-250 /45

Customer	Date	2021-05-14	Company
Contact	Item no.		Issued by
Phone	Project		Phone
E-mail	Project ID		E-mail

Requested data

1	Pump type	End Suction Volute Pump	Fluid	Water
2	Number of pumps / Reserve	1 / 0	Liquid temperature	°C 20
3	Flow	m³/h	Kin. viscosity	mm²/s 1.005
4	Head	m	Vapour pressure	kPa 2.34
5	Geodetic head	m	PH value	
6	Inlet pressure (pin)	kPa 0	Density	kg/m³ 998.3
7	Available system NPSH		Solids	Weight % 0
8	Ambient temperature	°C 20		

Pump

9	Pump name	GS 50-250 /45	Frequency	Hz 50
10	Design	End Suction Volute Pump	Installation type	with ISO base, motor
11	Manufacturer	EBARA	Impeller Diameter	Max. mm 270
12	Speed	rpm 2900		Designed mm 270
13	No. of Stage	1		Min. mm 210
14	Connection	Suction side	Flow	Operating m³/h
15	Connection	Discharge side		Max- m³/h 129
16	Max Working Pressure	kPa 1600		Min- m³/h 16.1
17	Shut-off head	kPa 1031.63	Head	Operating m
18	Total weight	kg See the table of "Dimensions".		- (Qmax.) m 84.3
19	Shaft power	kW		- (Qmin.) m 105.3
20			Max. Shaft Power at max. impeller	kW 39.75
21	Required pump NPSH	m	Efficiency	%

Materials

22	Casing	FC250		
23	Impeller	FC200		
24	Shaft	SUS431eq.		
25	Case wear ring	CAC406		
26	O-ring	NBR		
27	Mechanical Seal	SiC/Carbon/FKM		

Motor

28	Manufacturer	TECHTOP	Insulation class	F
29	Type	225M_45_3_400	Phases	3~
30	Specific design	TEFC/B3/IE3/TC / 50 Hz / Pole pairs 1	Frame size	225M_2P
31	Rated power	kW 45	Weight	kg 361
32	Number of poles	2	Electric voltage	V 400
33	Speed	rpm 2930	Electric current	A 78.5
34	Degree of protection	IP55		
35				

Remarks

Performance curve

Pump name

GS 50-250 /45

Customer	Date 2021-05-14	Company
Contact	Item no.	Issued by
Phone	Project	Phone
E-mail	Project ID	E-mail

Requested data

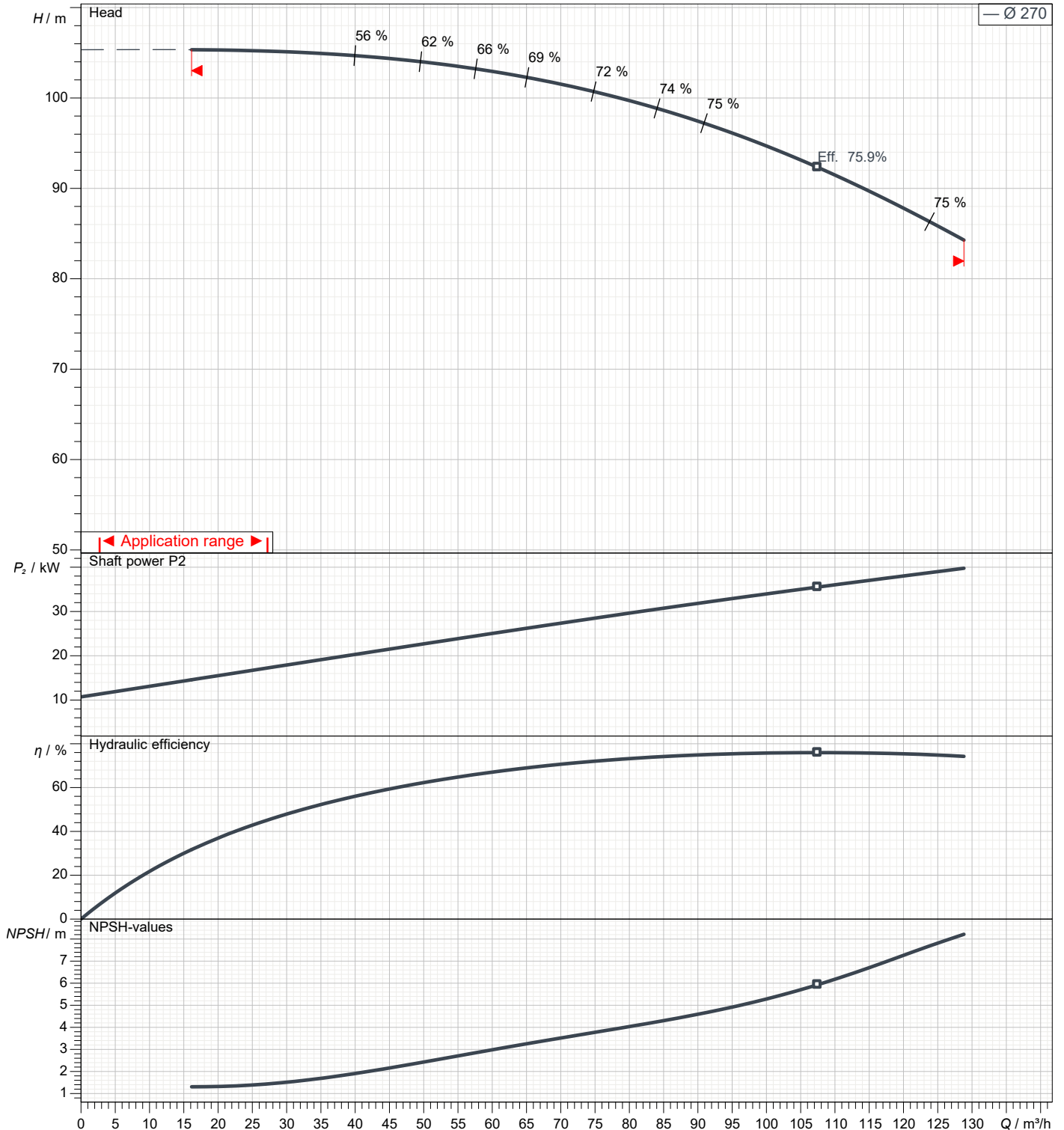
1	Flow	m ³ /h
2	Head	m
3	Geodetic head	m

Pump

Operating Flow	m ³ /h	Frequency	Hz	50
Operating Head	m	Number of poles		2
Impeller Diameter Designed	mm	Speed	rpm	2900

Test standard: ISO 9906:2012 - Grade3B

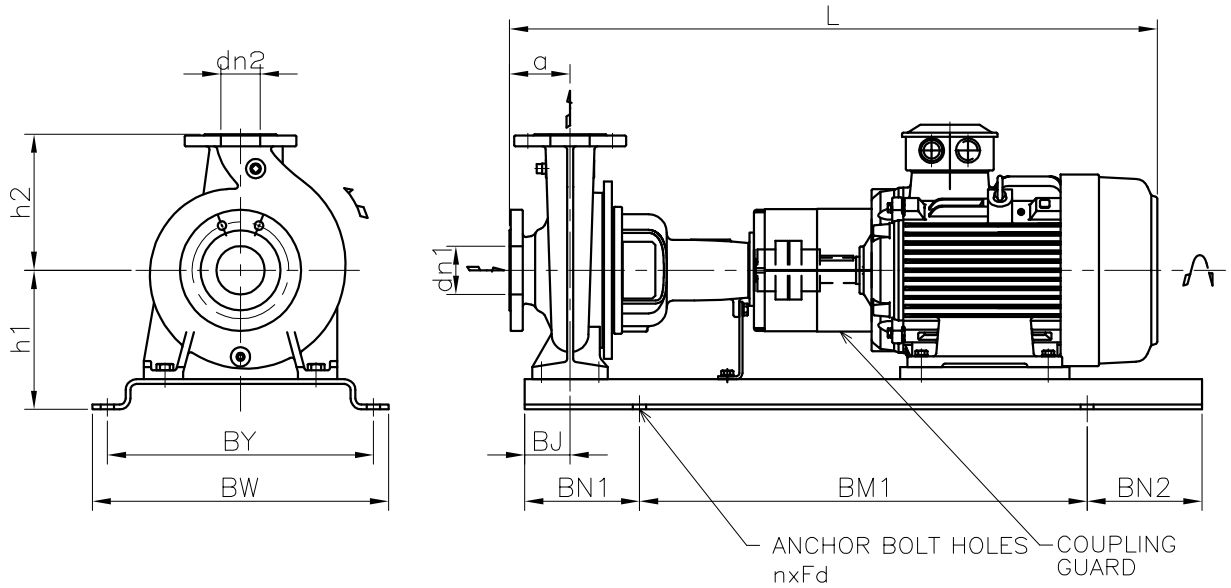
Water; 20°C; 998.3kg/m³; 1mm²/s



Dimensions

Pump name GS 50-250 /45

Customer	Date 2021-05-14	Company
Contact	Item no.	Issued by
Phone	Project	Phone
E-mail	Project ID	E-mail



This base is not necessary to grout.
Special base can be provided for grouting.



Total weight : 490 kg

Pump dimensions		mm		Suction side		mm		Discharge side		mm	
a	100										
dn1	65										
dn2	50										
h1	180										
h2	225										
L	1269										

Construction

Pump name GS 50-250 /45

Customer	Date 2021-05-14	Company
Contact	Item no.	Issued by
Phone	Project	Phone
E-mail	Project ID	E-mail