

Technical data

Pump name

GS 65-250 /45

| | | | |
|----------|------------|------------|-----------|
| Customer | Date | 2021-05-14 | Company |
| Contact | Item no. | | Issued by |
| Phone | Project | | Phone |
| E-mail | Project ID | | E-mail |

Requested data

| | | | | |
|---|---------------------------|-------------------------|--------------------|----------|
| 1 | Pump type | End Suction Volute Pump | Fluid | Water |
| 2 | Number of pumps / Reserve | 1 / 0 | Liquid temperature | °C |
| 3 | Flow | m³/h | Kin. viscosity | mm²/s |
| 4 | Head | m | Vapour pressure | kPa |
| 5 | Geodetic head | m | PH value | |
| 6 | Inlet pressure (pin) | kPa | Density | kg/m³ |
| 7 | Available system NPSH | | Solids | Weight % |
| 8 | Ambient temperature | °C | | |

Pump

| | | | | | | |
|----|----------------------|-------------------------|--------------------------------|-----------------------------------|-----------|-----------|
| 9 | Pump name | GS 65-250 /45 | Frequency | Hz | 50 | |
| 10 | Design | End Suction Volute Pump | Installation type | with ISO base, motor | | |
| 11 | Manufacturer | EBARA | Impeller Diameter | Max. | mm | |
| 12 | Speed | rpm | | 2900 | Designed | mm |
| 13 | No. of Stage | 1 | | Min. | mm | 215 |
| 14 | Connection | Suction side | EN | PN16 | Flow | |
| 15 | Connection | Discharge side | EN | PN16 | | Operating |
| 16 | Max Working Pressure | kPa | 1600 | Max- | | m³/h |
| 17 | Shut-off head | kPa | 983.25 | Min- | m³/h | |
| 18 | Total weight | kg | See the table of "Dimensions". | Head | Operating | |
| 19 | Shaft power | kW | | | - (Qmax.) | m |
| 20 | | | | | - (Qmin.) | m |
| 21 | Required pump NPSH | m | | Max. Shaft Power at max. impeller | kW | |
| | | | | Efficiency | % | |

Materials

| | | | | |
|----|-----------------|----------------|--|--|
| 22 | Casing | FC250 | | |
| 23 | Impeller | FC200 | | |
| 24 | Shaft | SUS431eq. | | |
| 25 | Case wear ring | CAC406 | | |
| 26 | O-ring | NBR | | |
| 27 | Mechanical Seal | SiC/Carbon/FKM | | |

Motor

| | | | | | |
|----|----------------------|---------------------------------------|------------------|------------------|-----|
| 28 | Manufacturer | TECHTOP | Insulation class | F | |
| 29 | Type | 225M_45_3_400 | Phases | 3~ | |
| 30 | Specific design | TEFC/B3/IE3/TC / 50 Hz / Pole pairs 1 | Frame size | 225M_2P | |
| 31 | Rated power | kW | 45 | Weight | kg |
| 32 | Number of poles | 2 | Electric voltage | V | 400 |
| 33 | Speed | rpm | 2930 | Electric current | A |
| 34 | Degree of protection | IP55 | | | |
| 35 | | | | | |

Remarks

Performance curve

Pump name

GS 65-250 /45

| | | | |
|----------|------------|------------|-----------|
| Customer | Date | 2021-05-14 | Company |
| Contact | Item no. | | Issued by |
| Phone | Project | | Phone |
| E-mail | Project ID | | E-mail |

Requested data

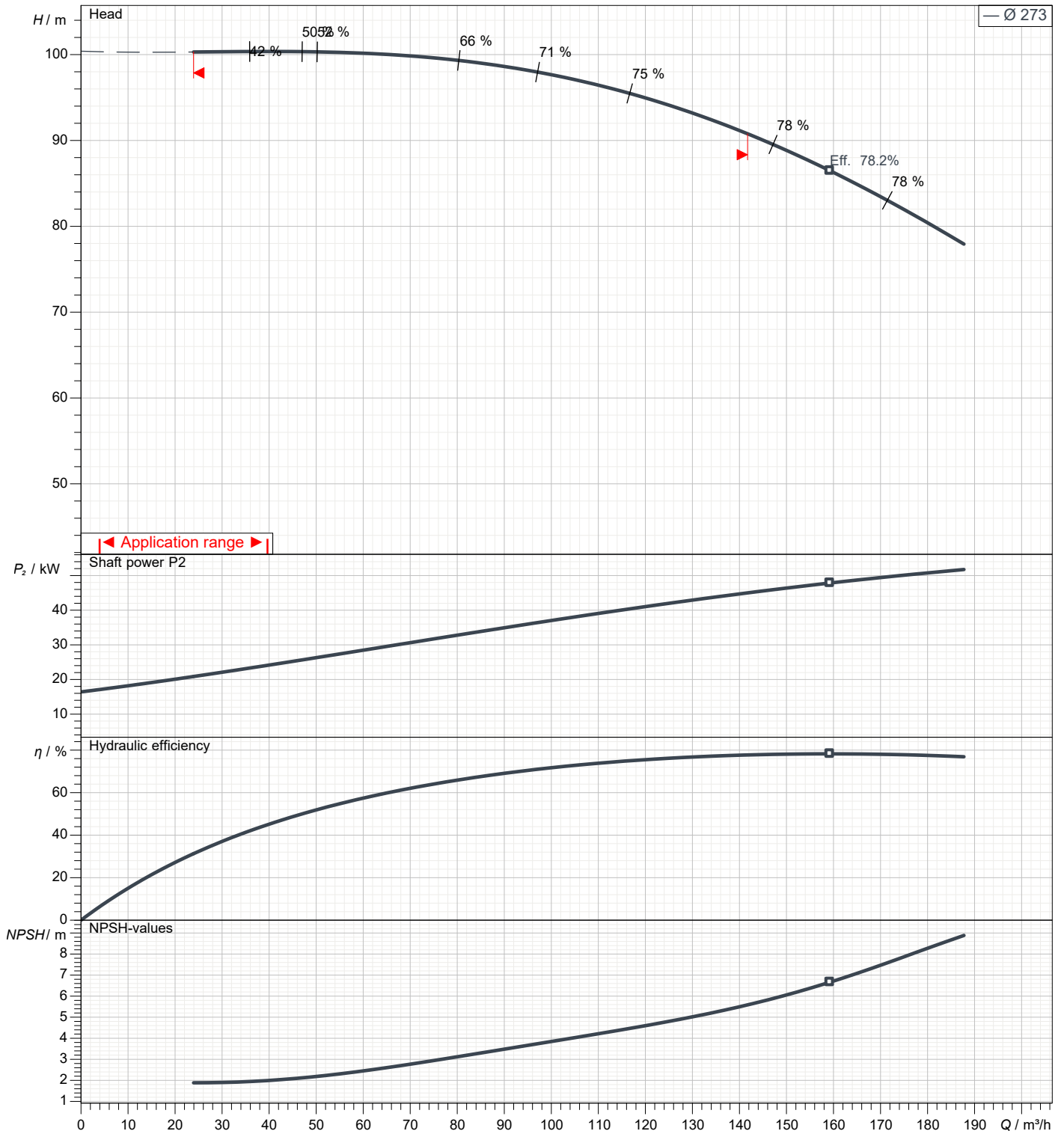
| | | | |
|---|---------------|-------------------|--|
| 1 | Flow | m ³ /h | |
| 2 | Head | m | |
| 3 | Geodetic head | m | |

Pump

| | | | | | |
|----------------------------|-------------------|-----|-----------------|-----|------|
| Operating Flow | m ³ /h | | Frequency | Hz | 50 |
| Operating Head | m | | Number of poles | | 2 |
| Impeller Diameter Designed | mm | 273 | Speed | rpm | 2900 |

Test standard: ISO 9906:2012 - Grade3B

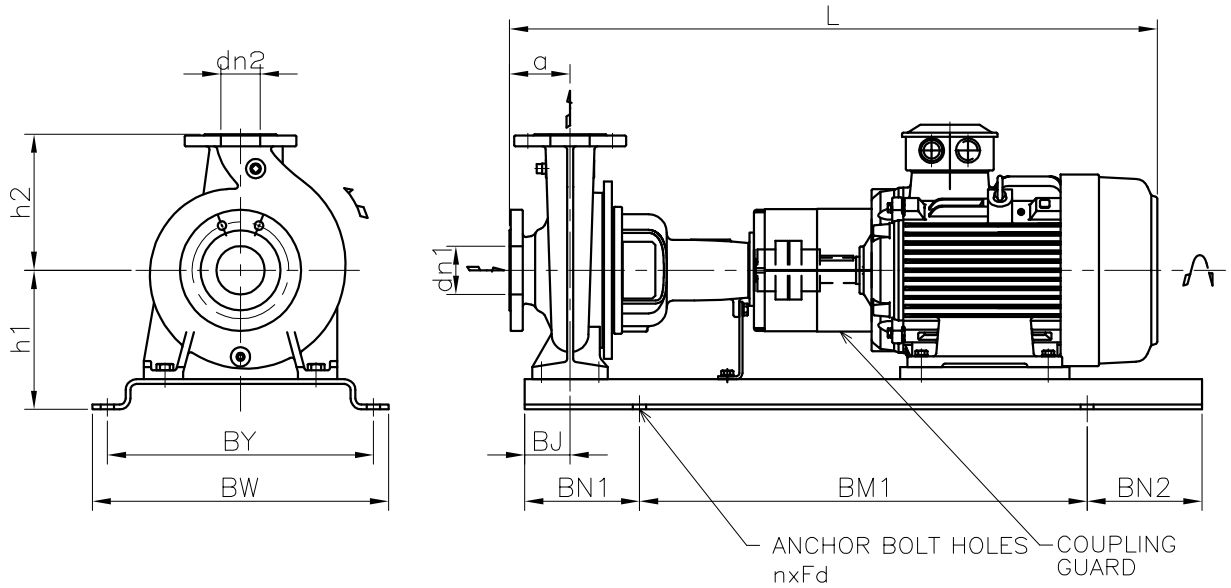
Water; 20°C; 998.3kg/m³; 1mm²/s



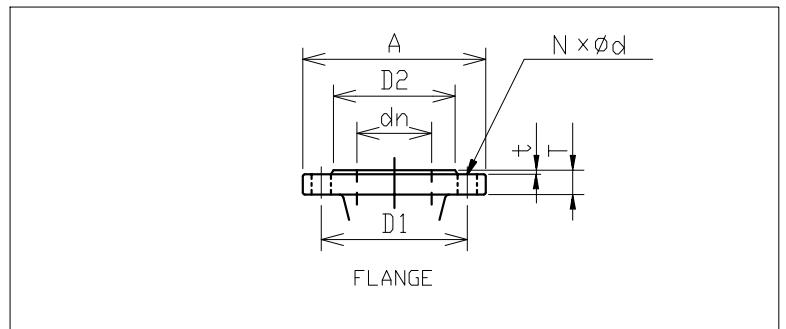
Dimensions

Pump name GS 65-250 /45

| | | |
|----------|-----------------|-----------|
| Customer | Date 2021-05-14 | Company |
| Contact | Item no. | Issued by |
| Phone | Project | Phone |
| E-mail | Project ID | E-mail |



This base is not necessary to grout.
Special base can be provided for grouting.



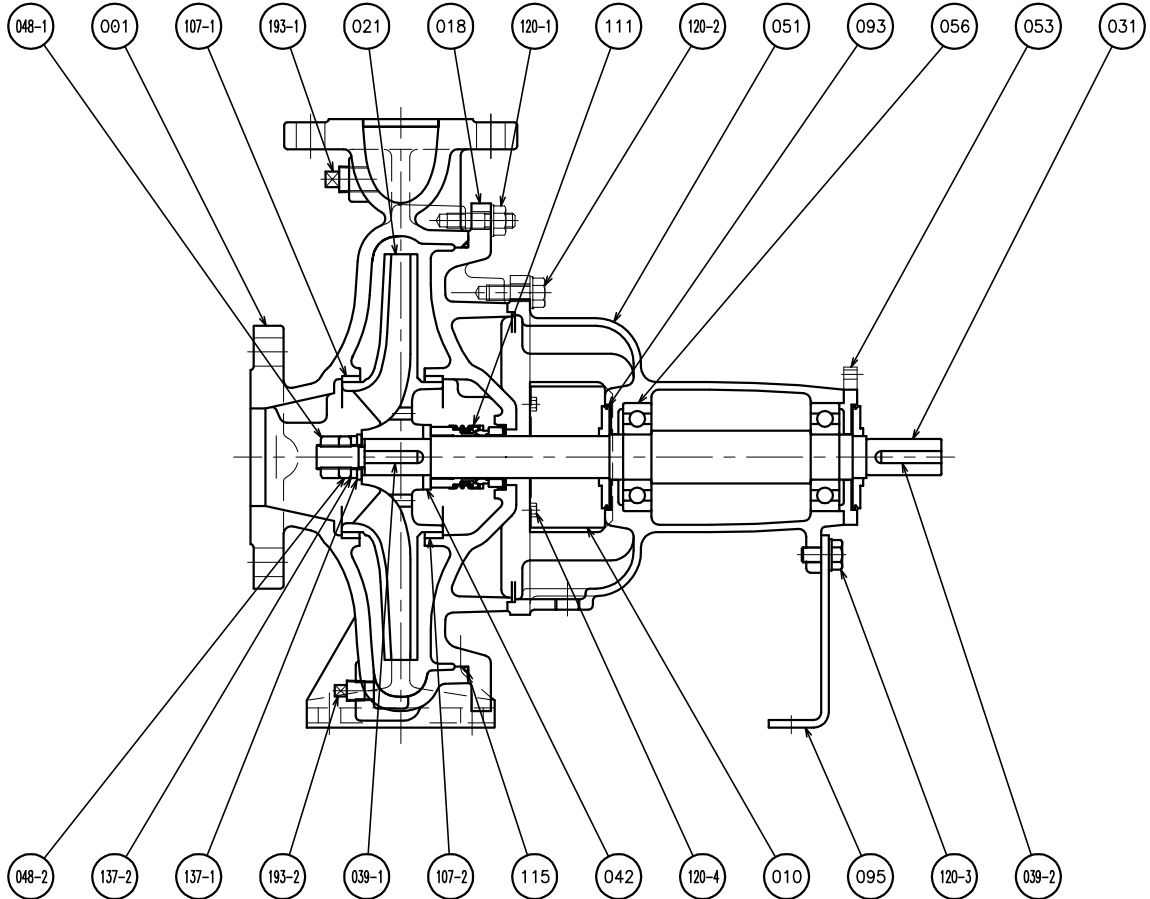
Total weight : 514 kg

| Pump dimensions | | mm | Suction side | mm | Discharge side | mm |
|-----------------|------|----|--------------|--------|----------------|--------|
| a | 100 | | A | 200 | A | 185 |
| dn1 | 80 | | d | 19 | d | 19 |
| dn2 | 65 | | D1 | 160 | D1 | 145 |
| h1 | 200 | | D2 | 132 | D2 | 118 |
| h2 | 250 | | dn | 80 | dn | 65 |
| L | 1379 | | N | 8(Num) | N | 4(Num) |
| | | | t | 2 | t | 2 |
| | | | T | 22 | T | 20 |

Construction

Pump name GS 65-250 /45

| | | |
|----------|-----------------|-----------|
| Customer | Date 2021-05-14 | Company |
| Contact | Item no. | Issued by |
| Phone | Project | Phone |
| E-mail | Project ID | E-mail |



| | | | | |
|-------|------------------------|-----------|-----|---------------------|
| 193-2 | PLUG | SS | 1 | CARBON STEEL |
| 193-1 | PLUG | SS | 1 | CARBON STEEL |
| 137-2 | SPRING LOCK WASHER | SUS304 | 1 | 304 STAINLESS STEEL |
| 137-1 | PLAIN WASHER | SUS304 | 1 | 304 STAINLESS STEEL |
| 120-4 | BOLT WITH WASHER | SS400 | 4 | CARBON STEEL |
| 120-3 | BOLT WITH WASHER | SS400 | 1 | CARBON STEEL |
| 120-2 | BOLT WITH WASHER | SS400 | 6 | CARBON STEEL |
| 120-1 | BOLT & NUT WITH WASHER | SS400 | N | CARBON STEEL |
| 115 | O RING | NBR | 1 | |
| 111 | MECHANICAL SEAL | - | 1 | |
| 107-2 | CASING RING | CAC406 | 1 | BRONZE |
| 107-1 | CASING RING | CAC406 | 1 | BRONZE |
| 095 | STAY | SPHC | 1 | CARBON STEEL |
| 093 | DEFLECTOR | EPDM | 2 | |
| 056 | BALL BEARING | - | 2 | |
| 053 | BEARING COVER | FC150 | 1 | CAST IRON |
| 051 | BEARING HOUSING | FC150 | 1 | CAST IRON |
| 048-2 | IMPELLER NUT(B) | SUS304 | 1 | 304 STAINLESS STEEL |
| 048-1 | IMPELLER NUT(A) | SUS304 | 1 | 304 STAINLESS STEEL |
| 042 | SPACER | SUS304 | 1 | 304 STAINLESS STEEL |
| 039-2 | KEY | S50C | 1 | CARBON STEEL |
| 039-1 | KEY | SUS420Q | 1 | 12% Cr. STEEL |
| 031 | SHAFT | SUS431eq. | 1 | Cr. STEEL |
| 021 | IMPELLER | FC200 | 1 | CAST IRON |
| 018 | CASING COVER | FC250 | 1 | CAST IRON |
| 010 | PROTECTOR | SPCC | 2 | CARBON STEEL |
| 001 | CASING | FC250 | 1 | CAST IRON |
| No. | NAME OF PART | MATERIAL | Qty | REMARKS |