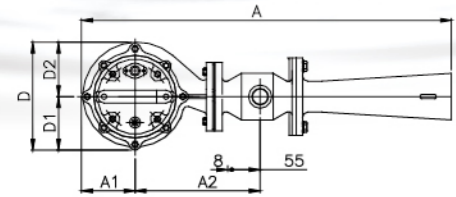
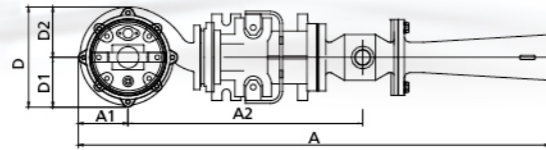


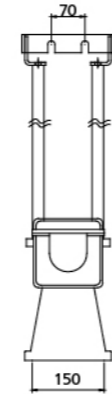
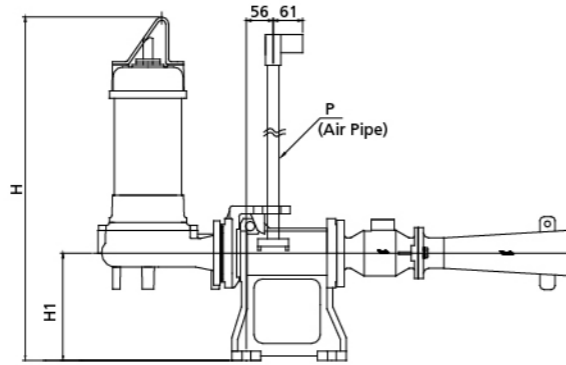
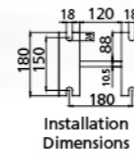
EJ-Series Dimensions



80EJ-5.20



80EJ-5.20 + QM-80



Dimensions (mm)									
Type	A	A1	A2	D	D1	D2	H	H1	P
80EJ-5.05(QM)	656(876)	82	196(423)	163	76	87	433(533)	70(170)	25
80EJ-5.10(QM)	656(876)	82	196(423)	163	76	87	494(625)	70(170)	25
80EJ-5.20(QM)	725(945)	103	246(467)	210	105	105	532(715)	71(170)	40
80EJ-5.30(QM)	725(945)	103	246(467)	210	105	105	552(735)	71(170)	40
80EJ-5.50(QM)	758(978)	110	265(498)	218	98	120	633(775)	82(170)	40
80EJ-5.75(QM)	758(978)	110	265(498)	218	98	120	673(815)	82(170)	40

» (QM)-with QM-80 Q.D.C.



EVAK PUMP TECHNOLOGY CORP.

No. 551, Zhongshan Rd., Qingshui Dist., Taichung City 436, Taiwan.
 TEL: +886-426-233556 Fax: +886-426-235559



EJ

SERIES 50HZ

Submersible Jet Aerators



www.evak-pumps.com

EJ SERIES 50HZ

Submersible Jet Aerators

Feature

- / High oxygen transfer rate
- / BOD easy to remove from wastewater treatment
- / Mixing and stirring applications for uniform MLSS
- / Provide coarse/gross bubbles

Application

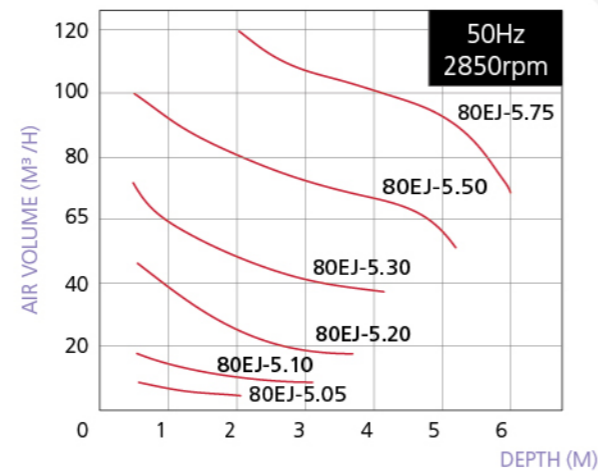
- / The wastewater treatment aeration and agitation

Specifications

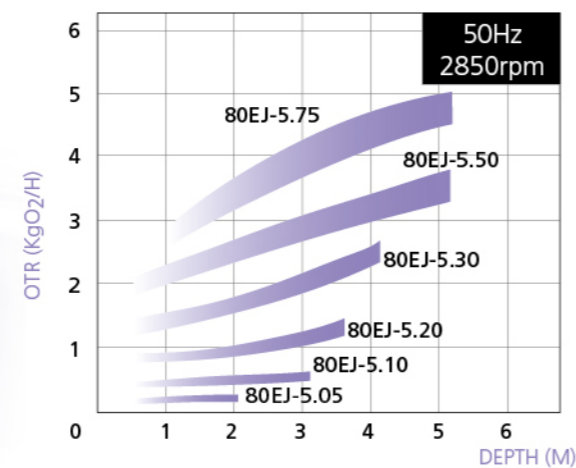
Liquid Temperature	0~40°C (32~104°F)	
Submersible depth	10M	
Motor Part	Frequency	50Hz
	Pole	2 Pole
	Type	Dry Motor
	Insulation	Class E
	Protection	IP 68
Pump Part	Protector	Auto-cut
	Bearing	Ball Type
	Mechanical seal	Dual. Mechanical Seal
	Impeller	Semi-Open



Performance Curve

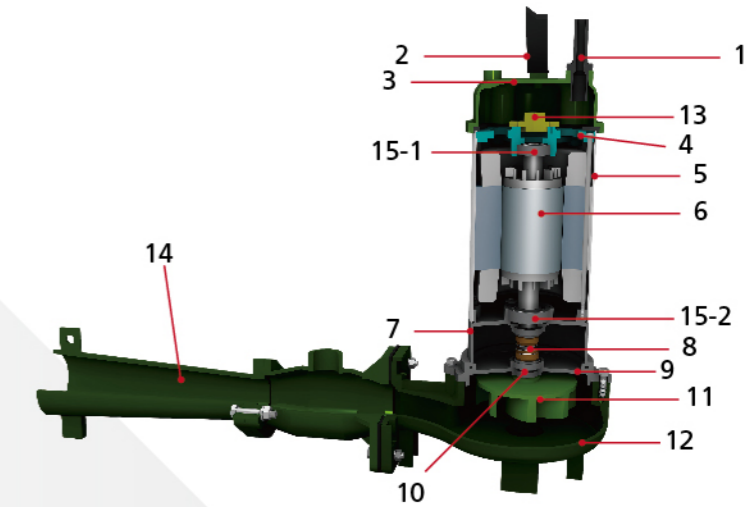


Performance Curve



Parts and Material List

No	Part	Material
1	Cable	H07RN-F /SJTOW/STOW
2	Handle	Nylon 6/SS41
3	Motor Cover	Nylon 66/FC 200
4	Bracket	FC 200
5	Motor Housing	SUS 304
6	Shaft with Rotor	SUS 410
7	Oil Chamber	FC 200
8	Mech.Seal	Upper : CA / CE Lower : SIC / SIC
9	Seal Housing	FC 200
10	Oil Seal	NBR
11	Impeller	FC 200
12	Pump Casing	FC 200
13	Protector	KLIXON
14	Discharge Pipe	FC 200
15-1	Upper Bearing	NTN
15-2	Lower Bearing	NTN



Data Chart

Type	Output		Discharge Inch	F.L.A.		Rated			Aeration Tank			Cable M	Free Passage mm	Weight kg
	HP	KW		1ø 230V	3ø 400V	AIR m3/hr	OTR kg-O2/H	HR m	L (M)	W (M)	H (M)			
80EJ-5.05	0.5	0.37	3"	4	1.2	5	0.12~0.23	1.5	2	1.8	2	10	-	22.2
80EJ-5.10	1	0.75	3"	6	2	10	0.3~0.5	2	3	2.5	3	10	-	27
80EJ-5.20	2	1.5	3"	11.3	3.5	22	0.9~1.1	2.5	4	3.5	3.5	10	-	37.7
80EJ-5.30	3	2.2	3"	-	5.2	40	1.9~2.2	3	5	4.5	4	10	-	38.8
80EJ-5.50	5	3.7	3"	-	8.6	70	2.8~3.3	3.5	6	5	5	10	-	54
80 EJ-5.75	7.5	5.5	3"	-	12	100	4.2~4.8	4	7	6	6	10	-	60

» QM-80 Duck Foot is optional.