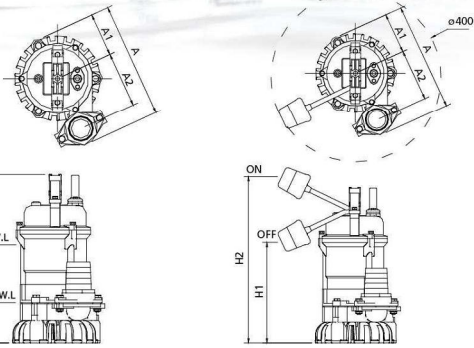


EUS-Series Dimensions

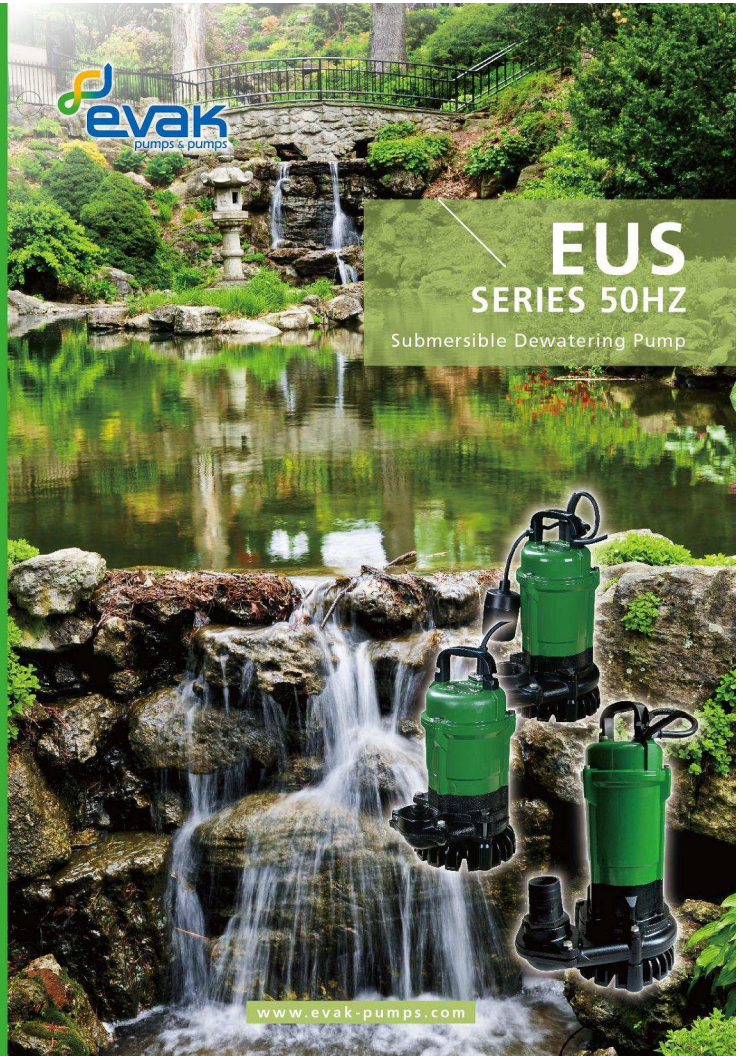


Dimensions (mm)							
Type	A	A1	A2	H	H1	H2	
50EUS-5.05	243	94	117	352	84	200	
50EUS-5.05A	243	94	117	352	200	400	
50(80)EUS-5.10	279	94	133	377	84	225	
50(80)EUS-5.10A	279	94	133	377	225	425	
50(80)EUS-5.20	313	107	155	464	94	308	
50(80)EUS-5.20A	313	107	155	464	294	494	



EVAK PUMP TECHNOLOGY CORP.

No. 551, Zhongshan Rd., Qingshui Dist., Taichung City 436, Taiwan.
TEL: +886-426-233556 Fax: +886-426-235559



EUS SERIES 50HZ

Submersible Dewatering Pump

www.evak-pumps.com

EUS SERIES 50HZ

Submersible Dewatering Pump

Feature

- / High abrasive resistance resin Vortex impeller
- / Double mechanical seal / Designed Agitator
- / Auto reset thermal protector / Non air locking
- / Auto version for small pit usage

Application

- / Residential, commercial, industrial dewatering and site drainage
- / Decorative waterfalls and fountains
- / Raw water supply from lakes or rivers
- / Sediment removal from small sumps or basins

Specifications

Liquid Temperature		0-40°C (32-104°F)
Submersible depth		10M
Motor Part	Frequency	50Hz
	Pole	2 Pole
	Type	Dry Type
	Insulation	Class B
Pump Part	Protection	IP 68
	Protection	Auto-cut
	Bearing	Ball Type
	Mechanical seal	Dual. Mechanical Seal
Impeller		Semi-Open



Steel coated with thermoplastic polyester elastomer



Agitator



1PH Protector (Thermal)



1PH Protector (optional) (overheat & overload)

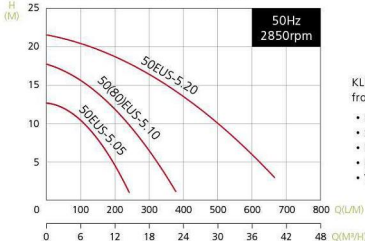


3PH Protector (overheat, overload, phase failure)

KLIXON protector provides protection against overheating from all running and stalled rotor conditions including:

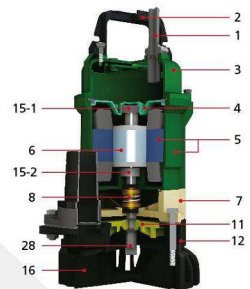
- Plugging duty
- Stalling or failure to start
- Heavy overloads
- High ambient
- Ventilation failures

Performance Curve



Parts and Material List

No	Part	Material
1	Cable	H07RN-F /SJTW/STOW
2	Handle	Nylon 6
3	Motor Cover	ADC 12
4	Bracket	Steel
5	Motor Housing + Stator	ADC12+Steel
6	Shaft with Rotor	SUS 410
7	Oil Chamber	Cast Iron
8	Mech. Seal	Upper : CA/CE Lower : SiC/SiC
11	Impeller	Hytrell
12	Pump Casing	FC 200
15-1	Upper Bearing	NTN
15-2	Lower Bearing	NTN
16	Strainer	PVC
28	Agitator	SMF5030



Data Chart

Type	Output		Discharge	F.L.A.		Rated	Maximum	Cable	Free Passage	Weight		
	HP	KW		1ø 230V	3ø 400V						Head m	Cap. LPM
50EUS-5.05	0.5	0.37	2"	3	0.9	10	109	12.7	242	10	6	12
50EUS-5.05A	0.5	0.37	2"	3	0.9	10	109	12.7	242	10	6	12.5
50(80)EUS-5.10	1	0.75	2"(3")	5.6	1.9	12	196	18	378	10	6	15
50(80)EUS-5.10A	1	0.75	2"(3")	5.6	1.9	12	196	18	378	10	6	15.5
50(80)EUS-5.20	2	1.5	2"(3")	13	3.5	16	315	21.5	666	10	6	19
50(80)EUS-5.20A	2	1.5	2"(3")	13	3.5	16	315	21.5	666	10	6	19.5

» A identifies black float switch.

» All single-phase and three-phase pumps can be equipped with float switch upon request.

» Key float switch are available to choose.

