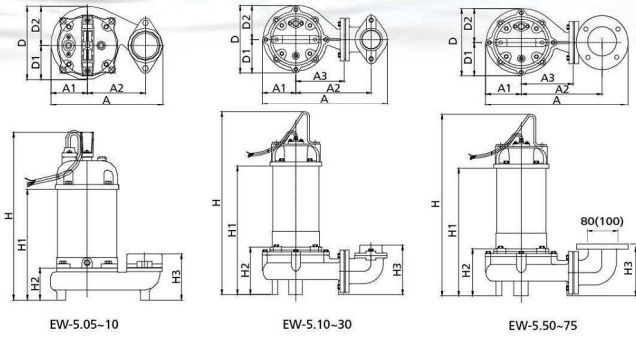


EW-Series Dimensions



Dimensions (mm)												
Type	A	A1	A2	A3	D	D1	D2	H	H1	H2	H3	
50EW-5.05	228	73	155	NA	150	69	81	412	297	117	138	
50EW-5.10	228	73	155	NA	150	69	81	487	345	117	138	
*50(80)EW-5.10	312	82	183	101	163	76	87	494	351	124	156	
50(80)EW-5.20	390	103	235	151	210	105	105	532	400	150	152	
50(80)EW-5.30	390	103	235	151	210	105	105	552	420	150	152	
80(100)EW-5.50	470	110	257	170	218	98	120	633	468	160	206	
80(100)EW-5.75	470	110	257	170	218	98	120	673	508	160	206	

» Note1 : Automatic models are available in single-phase versions(0.5-1HP) and in three-phase versions(0.5-2HP).
 » Note2 : Q.D.C. (Quick Discharge Connection) is applied to all models.
 » Note3 : *50(80)EW-5.10 is Elbow Type.

EW

SERIES 50HZ

Submersible Vortex Sewage Pump



EW

SERIES 50HZ

Submersible Vortex Sewage Pump

Feature

- / Vortex Impeller / Non-clogging
- / Minimized abrasive wear
- / Large impeller clearance
- / Maintenance free
- / Double Mech. Seal

Application

- / Medium concentration wastewater
- / Heavy duty

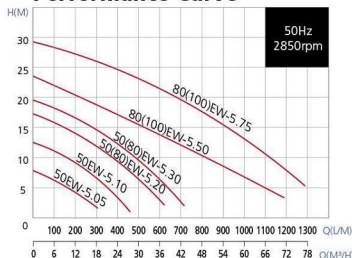
Specifications

Liquid Temperature	0~40°C (32~104°F)	
Submersible depth	10M	
Frequency	50Hz	
Motor Part	Pole	2 Pole
	Type	Dry Motor
	Insulation	Class E
Pump Part	Protection	IP 68
	Protector	Auto-cut
	Bearing	Ball Type
Mechanical seal	Dual. Mechanical Seal	
	Impeller	Vortex



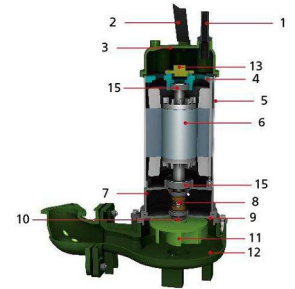
Vortex Impeller

Performance Curve

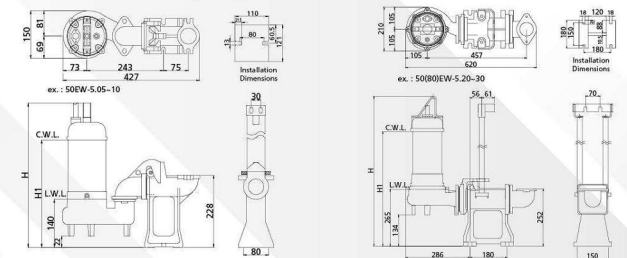


Parts and Material List

No	Part	Material
1	Cable	H07 / UL
2	Handle	Nylon 6/5S41
3	Motor Cover	Nylon 66 / FC 200
4	Bracket	FC 200
5	Motor Housing	SUS 304
6	Shaft with Rotor	SUS 410
7	Oil Chamber	FC 200
8	Double Mech.Seal	Upper : CA / CE Lower : SIC / SIC
9	Seal Housing	FC 200
10	Oil Seal	NBR
11	Impeller	FC 200
12	Pump Casing	FC 200
13	Protector	
15	Bearing	NTN



EW-Series with QS / QM



EW with QS Q.D.C					
Output	Discharge	Dimensions(mm)			
HP	KW	Inch	mm	H	H1
0.5	0.37	2"	50	434	319
1	0.75	2"	50	509	367

EW with QM Q.D.C					
Output	Discharge	Dimensions(mm)			
HP	KW	Inch	mm	H	H1
2	1.5	2*(3")	50(80)	715	545
3	2.2	2*(3")	50(80)	735	565
5	3.7	3*(4")	80(100)	775	597
7.5	5.5	3*(4")	80(100)	815	637

Selection Table

Type	Output		Discharge	F.L.A.		Rated	Maximum		Cable	Free Passage		Weight	Q.D.C.
	HP	KW		1ø	3ø		Head m	Cap. LPM		Head m	Cap. LPM		
50EW-5.05	0.5	0.37	2"	4	1.2	6	150	8	320	10	35	13.2	QS-50
50EW-5.10	1	0.75	2"	6	2	9	200	12.5	460	10	35	18	QS-50
50(80)EW-5.20	2	1.5	2*(3")	11.3	3.5	10	350	17.5	650	10	45	34.7	QM-80
50(80)EW-5.30	3	2.2	2*(3")	-	5.2	11	450	19.5	750	10	45	35.8	QM-80
80(100)EW-5.50	5	3.7	3*(4")	-	8.6	10	800	23.5	1200	10	45	56	QM-100
80(100)EW-5.75	7.5	5.5	3*(4")	-	12	12	1040	29.5	1400	10	45	62	QM-100

» 50EW-5.05 : Flange Type
 » 50EW-5.10 : Flange Type / Elbow Type (2" or 3" / Fit with Q.D.C. QM-80)

» 50(80)EW-5.20-30 : Elbow Type
 » 80(100)EW-5.50-75 : Elbow Type