

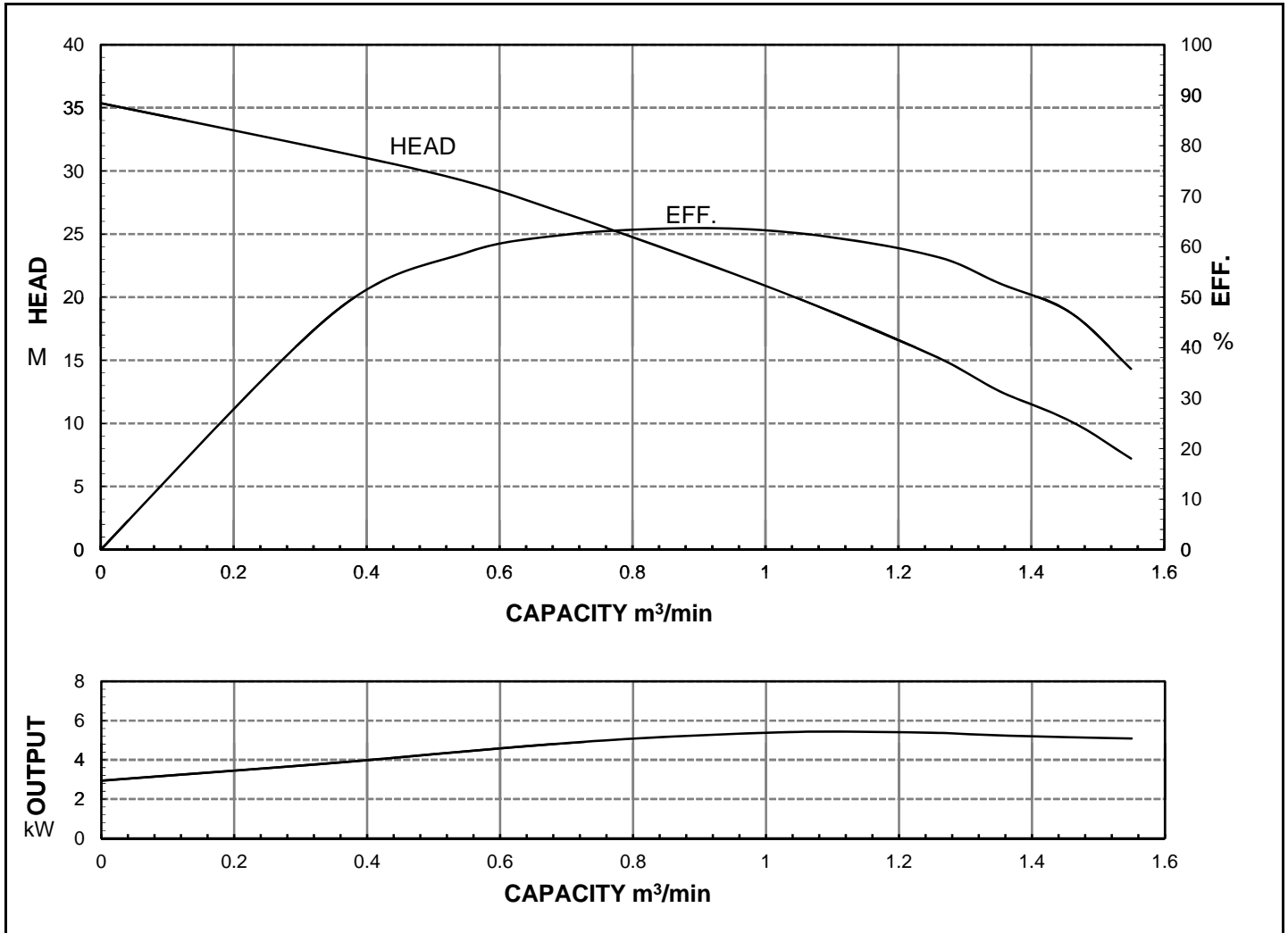


HCP PUMP

FILE NO. PC-M-E5-80(100)SFP25.53

PUMP PERFORMANCE CURVES

MODEL	80(100)SFP25.5				DATE:	2014.05
	STANDARD SPECIFICATION				REFERENCE SPECIFICATION	
FREQUENCY	50			Hz		
DISCHARGE	3	inch	/	80	mm	
OUTPUT	7.5	HP	/	5.5	kW	HP kW
HEAD	28			M		
CAPACITY	0.6			m ³ /min		
PHASE/VOLTAGE	3 φ	230 V	380 V	400 V	415 V	φ V
RATED CURRENT		20.2 A	11.7 A	11.3 A	11.2 A	A
POLE / R.P.M.	2	P	/	2890	R.P.M.	
START METHOD	DIRECT					
INSULATION CLASS	F					
REMARK						



HCP PUMP MANUFACTURER CO.,LTD.

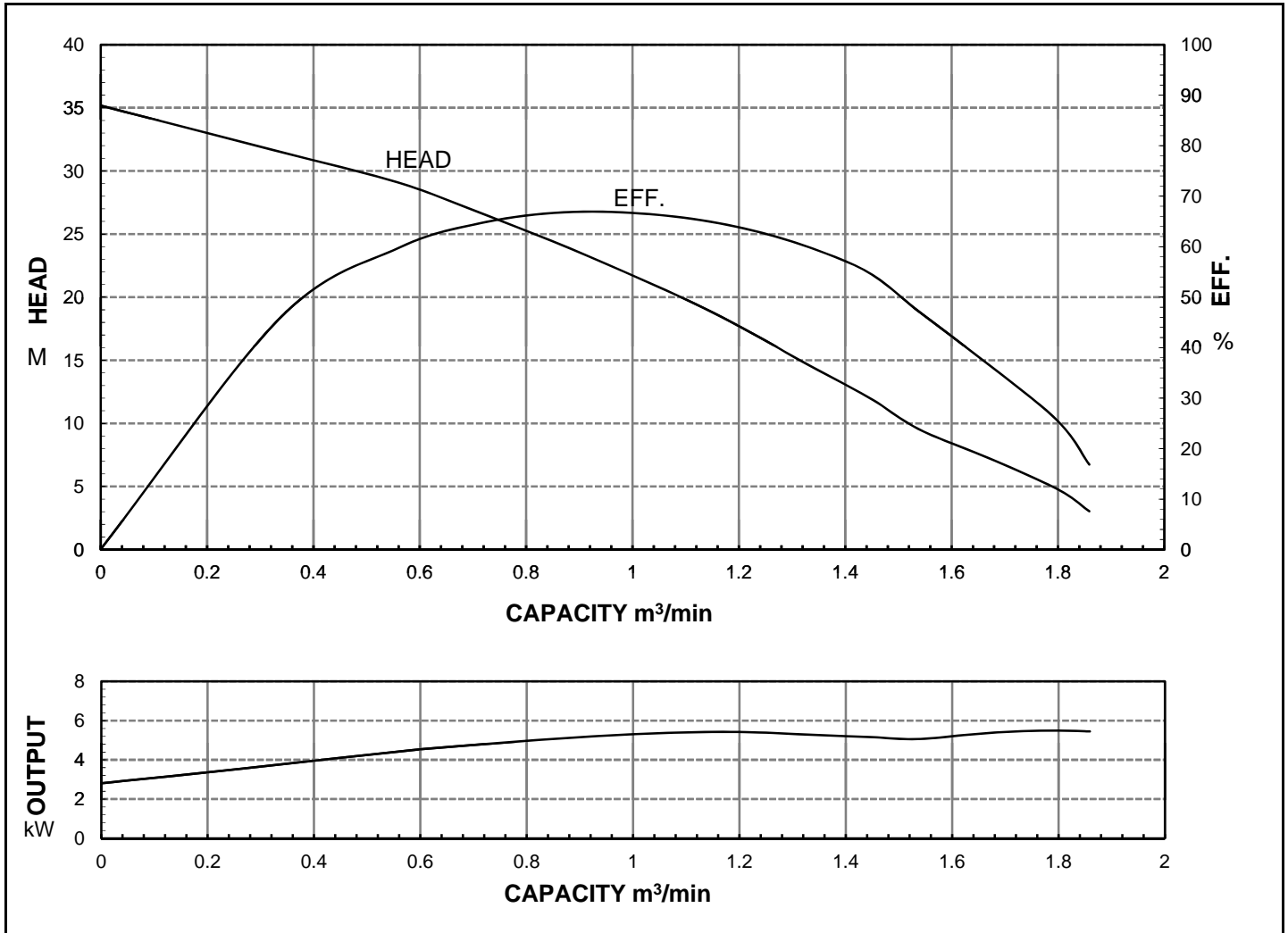


HCP PUMP

FILE NO. PC-M-E5-80(100)SFP25.53

PUMP PERFORMANCE CURVES

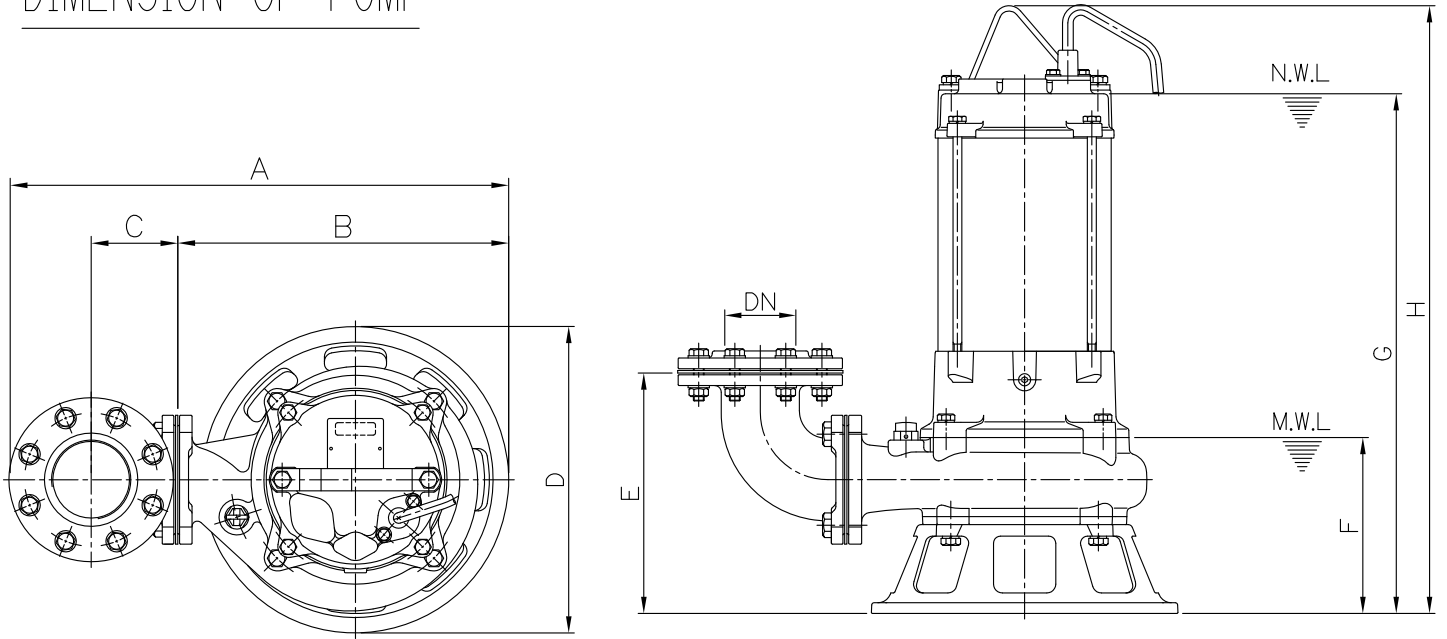
MODEL	80(100)SFP25.5				DATE:	2014.05
	STANDARD SPECIFICATION				REFERENCE SPECIFICATION	
FREQUENCY	50				Hz	
DISCHARGE	4	inch	/	100	mm	
OUTPUT	7.5	HP	/	5.5	kW	HP kW
HEAD	21.5				M	
CAPACITY	1				m ³ /min	
PHASE/VOLTAGE	3 φ	230 V	380 V	400 V	415 V	φ V
RATED CURRENT		20.2 A	11.7 A	11.3 A	11.2 A	A
POLE / R.P.M.	2	P	/	2890	R.P.M.	
START METHOD	DIRECT					
INSULATION CLASS	F					
REMARK						



HCP PUMP MANUFACTURER CO.,LTD.

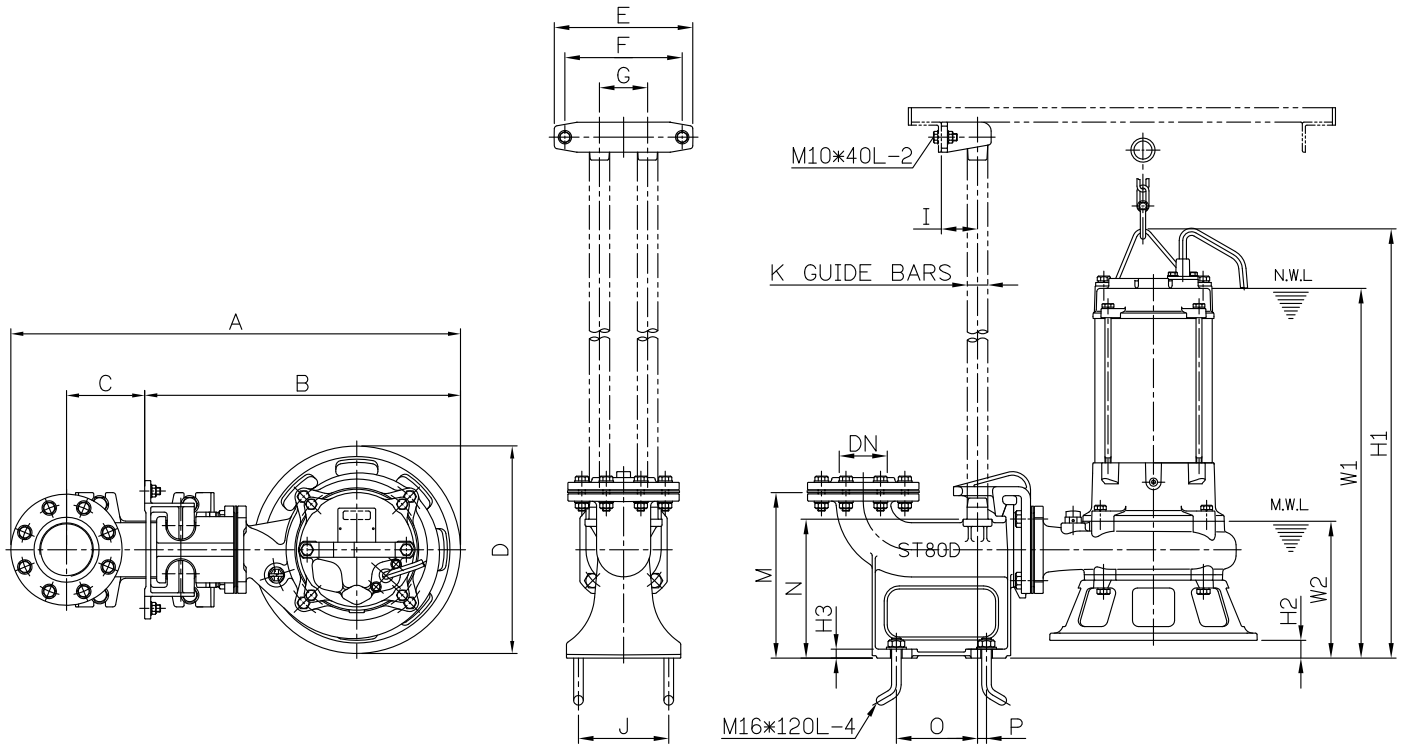
MODEL:80SFP25.5;80SFP27.5 3Ø

DIMENSION OF PUMP



Model	DN	A	B	C	D	E	F	G	H
80SFP25.5	80	563	373	98	345	271	198	585	684
80SFP27.5	80	563	373	98	345	271	198	585	684

DIMENSION OF GRS



Model	DN	A	B	C	D	E	F	G	I	J	K	M	N	O	P	W1	W2	H1	H2	H3
80SFP25.5	80	749	526	130	345	230	195	80	60	150	1 1/4"	275	231	135	15	615	228	714	30	15
80SFP27.5	80	749	526	130	345	230	195	80	60	150	1 1/4"	275	231	135	15	615	228	714	30	15

N.W.L: Normal water level
M.W.L: Minimum water level

