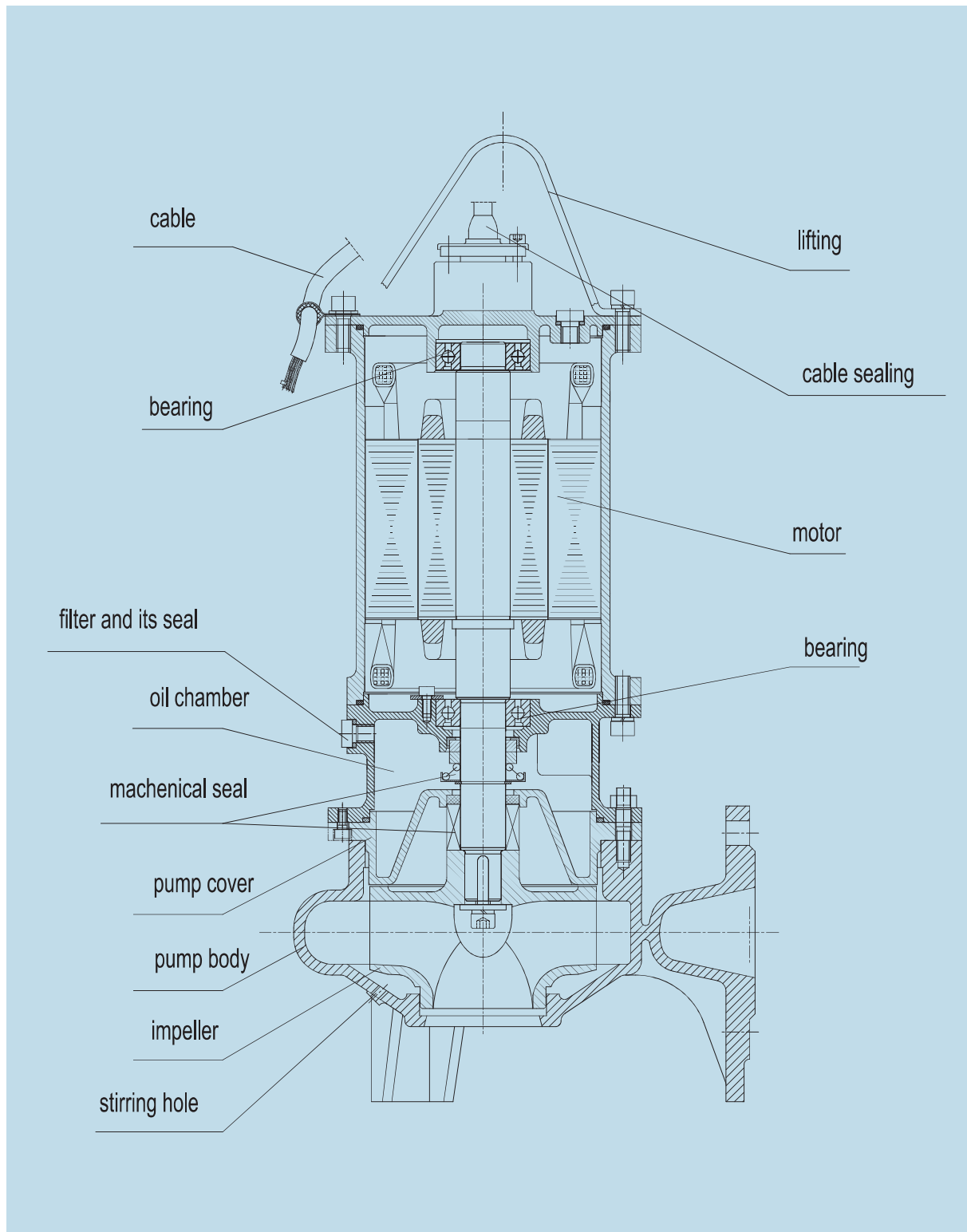
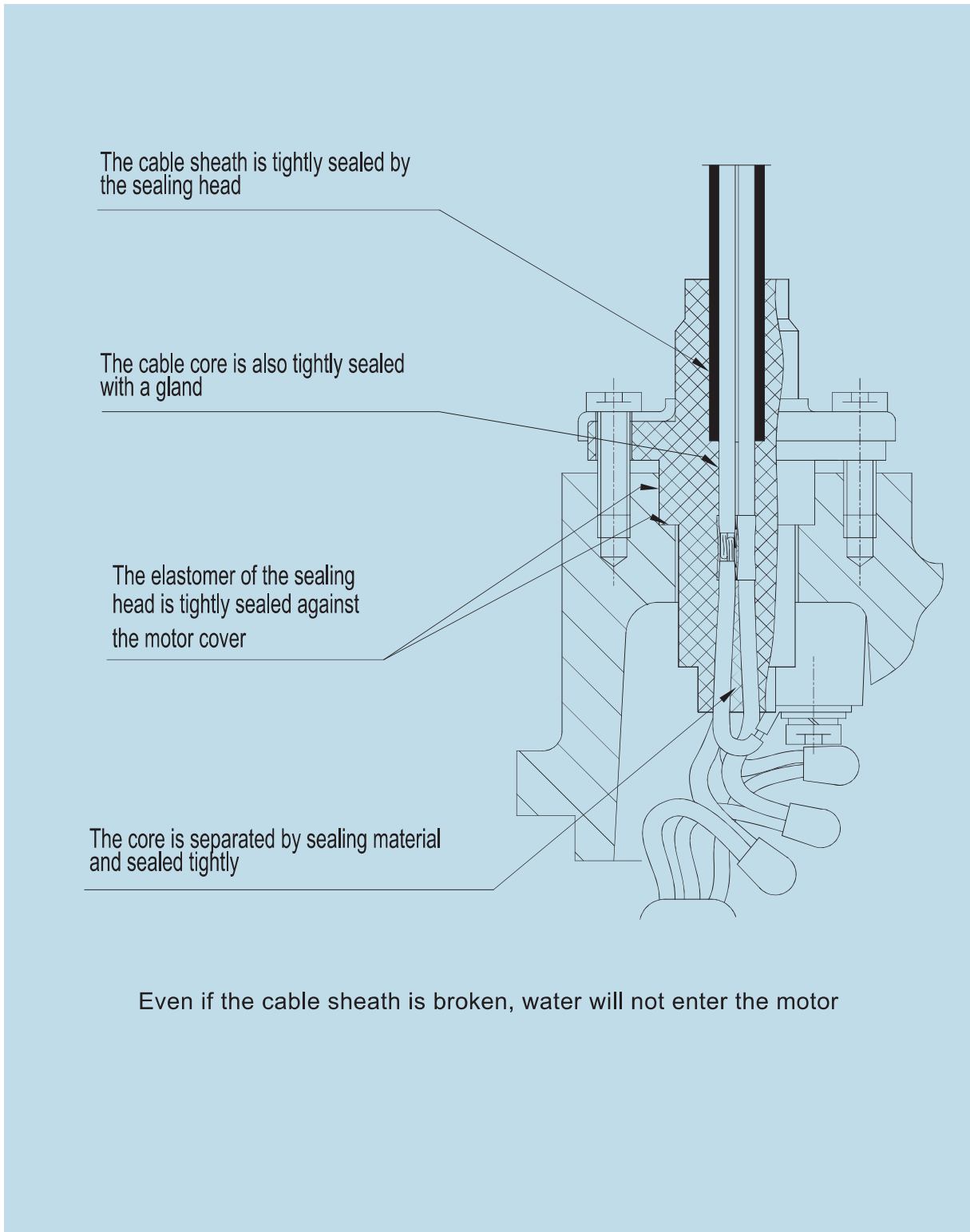


Structure

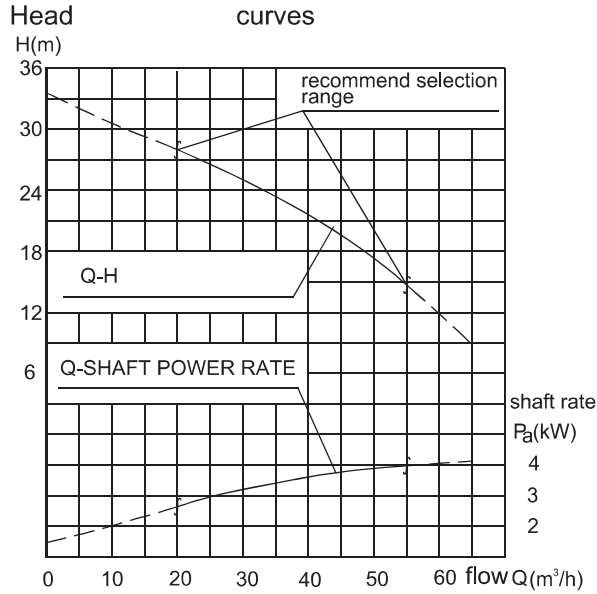
Structure:



Cable seal head and cable seal completely:



Installation version



parameter

New Model	Original model	channel size (mm)	rotation speed (r/min)	pump wieght (kg)
65WQ/E40-22-4	65WQ/E248-4	ovel 33×40	2890	44
motor rated power (kW)	rated current (A)	motor power rate cosφ	motor E (%)	locked rotor torque/ rated torque
4	8.2	0.87	85.5	2.2

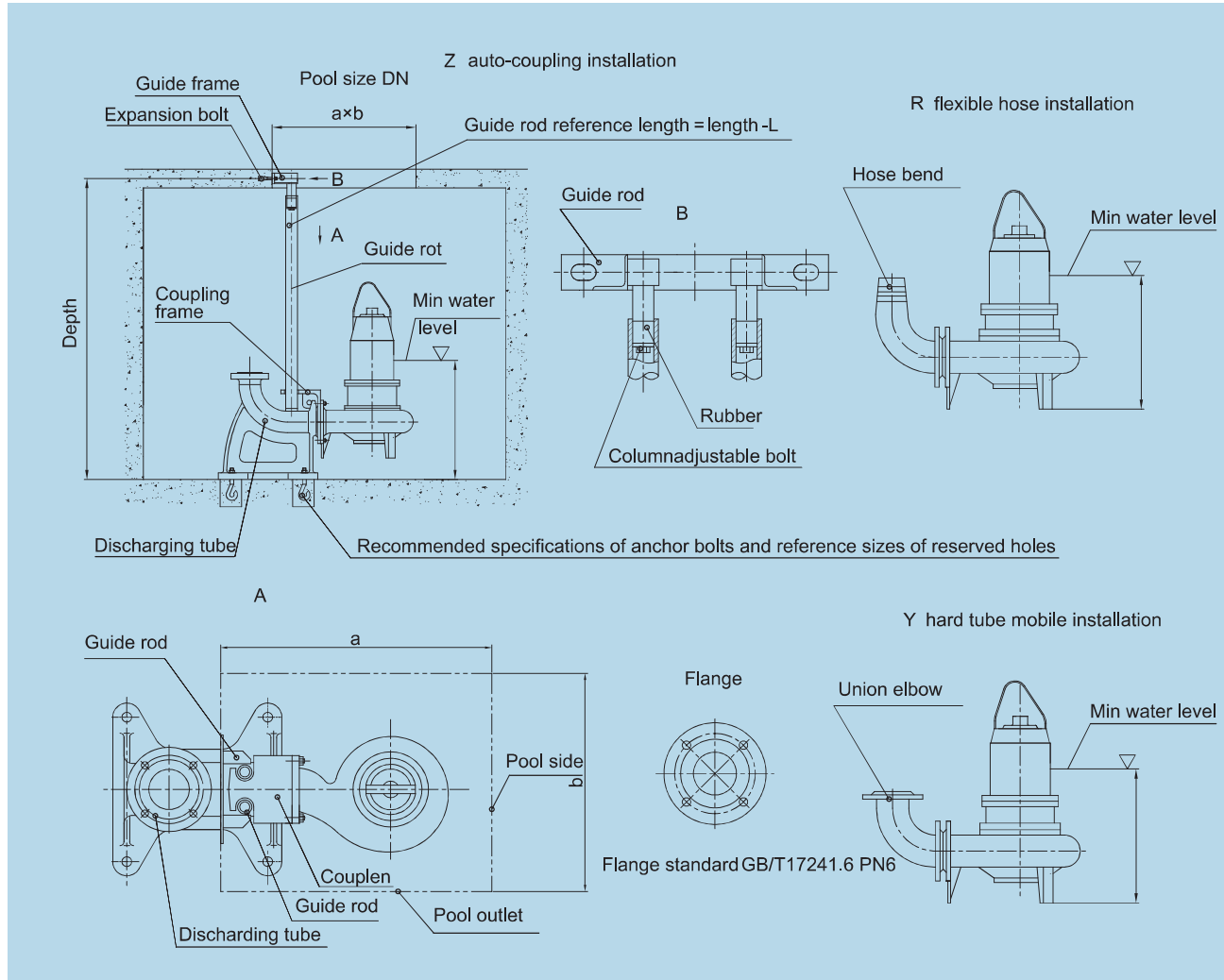
The solid line part of the curve indicates the recommended service range of the pump. The user should carefully calculate the required flow head when selecting the type, so that the selected pump can work within the recommended range.

The diameter of solid in the medium should not be larger than the minimum size of the flow channel, which is recommended to be less than 80% of the minimum size of the flow channel. For example, for the 65WQ/e40-22-4 pump shown, the diameter of the solid should not be greater than 33.0826 mm.

Pump weight does not include all kinds of installation accessories, such as coupling device, elbow, hose elbow, etc.

Installation version

WQ/E pump has automatic coupling type installation (Z), hose mobile installation (R) and hard pipe mobile installation (Y) three installation methods. Hose-mounted and hard-mounted removable tubes are simple and require no elaboration. The following is an introduction to automatic coupling installation:



Automatic coupling installations do not require conventional fasteners to connect the pump to the pipe. Coupling device only outlet pipe seat, guide rod, guide rod frame, coupling frame these four things. Guide rod only plays a guiding role, not force, with ordinary tap water pipe or steel pipe according to the depth of the pool cut into the required length is ok, so users can prepare. When installation, the outlet pipe seat, guide rod, guide rod frame installed, the coupling frame installed on the pump body, the pump, the coupling frame of the semicircle hole through the guide rod, the pump along the guide rod to the bottom, the coupling frame and the outlet pipe seat alignment buckle. When you need to repair the pump, just put the pump up, the pump and the outlet pipe seat off. This installation method is very convenient for pump maintenance.

Since the coupling device and the pump are relatively independent, you can still use the original coupling device if your pump station needs to change to the same caliber pump with low head or high head due to the change of circumstances.

Automatic coupling installation related dimensions hose movement installation matching hose dimensions

Units: all except inches mm

discharge DN Item	40	50	65	80	100	150	200	
guide rod	1" Tap water pipe /32 3.5 seamless steel pipe					2"/60×5		
guide rod length	pool depth -300	pool depth -305	pool depth -425	pool depth -410	pool depth -435	pool depth -540		
Quantity and specification of anchor bolts	4-M16×220			4-M20×300			4-M24×300	
Quantity and specification of expansion bolts	2-M16×150 I							
Size of reserved hole for anchor bolt	80×80×270			100×100×350				
Specification for hose bend joints to be used	40-6	50-6	50×65-6	65-6	80-6	100-6	150-6	无
The inner diameter of the hose shall be used for hose movement and installation	64	64	76	76	89	102	152	无

Pump main parts and its material

Parts	Pump body, impeller, pump case	Motor case	Shaft	Machanical seal material			
				Motor side friction pair	Pump side friction pair	Springs and structural parts	Rubber parts
Material	HT200	HT200	2Cr13	Graphite/silicon carbide	Silicon carbide/silicon carbide	Stainless Steel	Nitrile rubber

Note: if the customer requires the main parts to be made into ductile iron or other materials, such as 2Cr13, 304, etc., or other special requirements, please contact the sewage pump research group of technical department.

Rotation

See from the pump suction inlet, the impeller for counterclockwise rotation.

Cable core marks

Light blue (U), black (V) and brown (W) are three-phase power lines. The yellow/green wire is the ground wire.

Scope of supply

- 1、 Please indicate the product name, model, installation form, optional parts, spare parts, etc.
Type selection should take into account the influence of medium weight on power, warmly welcome users to the company's technical department for technical advice.
- 2、 The standard length of motor cable is 8m. If other length is needed, please note it on the order form.
- 3、 Complete sets of supplies are supplied in accordance with the installation mode selected by users. Optional parts and spare parts shall be separately ordered by the user.
- 4、 Because of the simple design of the coupling device, the guide rod only needs to use ordinary water pipe or steel pipe. We have provided the specification and length calculation method of tap water pipe or steel pipe used as guide rod in the front, users only need to purchase tap water pipe or steel pipe by themselves and cut it into the required length to use, so guide rod is not used as a complete set of supply parts for coupling installation. When the user needs the guide rod provided by our company, he must order and write in the order.

Scope of supply

Installation method	Package of supplies	Optional pick		Parts
Portable hose installation	Main pump, hose elbow (one for each pump)	Soft pipe	Electronic control device, terminal box, gate (butterfly) valve, check valve, steel wire rope and rope clip or chain rope for hanging pump, sewage gate (customized), hoist (customized), rectangular gate (customized)	impeller bearing machtenal seal O ring Impeller fasteners
Remove the hard tube mounting	Main pump, elbow joint (one for each pump)			
Automatic coupling installation	Main pump, automatic coupling device (one set for each pump)	Guide rod foundation bolt expansion bolt		

parts model:

	0.37、0.55	0.75、1.1	1.5、2.2	3		4		5.5、7.5
rotation	2P	2P	2P	2P	4P	2P	4P	2P 4P
cable core	YVC4×1		YVC4×1.5					
upper bearing	6202-ZZ	6203-ZZ	6205-ZZ	6206-ZZ				
down bearing	6203-ZZ	6204-ZZ	6205-ZZ	6206-ZZ				
pump side mechanical seal	FU1/16-G60 Q1Q1PGG	FU1/20-G60 Q1Q1PGG	FU1/25-G60 Q1Q1PGG	FU1/30-G60 Q1Q1PGG		FU1/35-G60 Q1Q1PGG		
motor side mechanical seal		FD-20-G60 AQ1PGG	FD-25-G60 AQ1PGG	FD-30-G60 AQ1PGG		FD-35-G60 AQ1PGG		
O ring	1-112×3.55 1-122×3.55 1-10×2.65	1-106×3.55 2-122×3.55 2-10×2.65	1-122×3.55 2-132×3.55 2-10×2.65	1-155×3.55 2-160×3.55 2-10×2.65	1-155×3.55 2-160×3.55 2-10×2.65	1-155×3.55 2-180×3.55 2-10×2.65	1-200×5.3 2-180×3.55 2-10×2.65	
O RING material is oil resistant								
impeller fasten parts	nut M8 spring washer 8 flat washer 8	nut M10×1.25 spring washer 10 impeller plate WQB07-01A	bolt M8×25 spring washer 8 impeller plate WQB07-10	bolt M10×25 spring washer 10 impeller plate WQB07-16		bolt M10×30 spring washer 10 impeller plate WQB07-02B		
	The nuts, screws and spring washers are made of stainless steel and the impeller pressing plate is made of Q235							

3. Matching control cabinet model selection

Table 1:

Supporting WQ/E pump (one control one)				
Serial no.	Power rate (kW)	Model of control cabinet		
		Cost saving configuration	High-end configuration	
1	0.37	KQK/T-1E-0.37	KQK/G-1E-0.37	400×300×200
2	0.55	KQK/T-1E-0.55	KQK/G-1E-0.55	400×300×200
3	0.75	KQK/T-1E-0.75	KQK/G-1E-0.75	400×300×200
4	1.1	KQK/T-1E-1.1	KQK/G-1E-1.1	400×300×200
5	1.5	KQK/T-1E-1.5	KQK/G-1E-1.5	400×300×200
6	2.2	KQK/T-1E-2.2	KQK/G-1E-2.2	400×300×200
7	3	KQK/T-1E-3	KQK/G-1E-3	400×300×200
8	4	KQK/T-1E-4	KQK/G-1E-4	400×300×200
9	5.5	KQK/T-1E-5.5	KQK/G-1E-5.5	400×300×200
10	7.5	KQK/T-1E-7.5	KQK/G-1E-7.5	400×300×200

Table2:

Supporting WQ/E pump (one control one)				
Serial no.	Power rate (kW)	Model of control cabinet		Cabinet size (height×width×thickness)
		Cost saving configuration	High-end configuration	
1	0.37	KQK/T-2AcE-0.37	KQK/G-2AcE-0.37	500×400×200
2	0.55	KQK/T-2AcE-0.55	KQK/G-2AcE-0.55	500×400×200
3	0.75	KQK/T-2AcE-0.75	KQK/G-2AcE-0.75	500×400×200
4	1.1	KQK/T-2AcE-1.1	KQK/G-2AcE-1.1	500×400×200
5	1.5	KQK/T-2AcE-1.5	KQK/G-2AcE-1.5	500×400×200
6	2.2	KQK/T-2AcE-2.2	KQK/G-2AcE-2.2	500×400×200
7	3	KQK/T-2AcE-3	KQK/G-2AcE-3	500×400×200
8	4	KQK/T-2AcE-4	KQK/G-2AcE-4	500×400×200
9	5.5	KQK/T-2AcE-5.5	KQK/G-2AcE-5.5	500×400×200
10	7.5	KQK/T-2AcE-7.5	KQK/G-2AcE-7.5	500×400×200

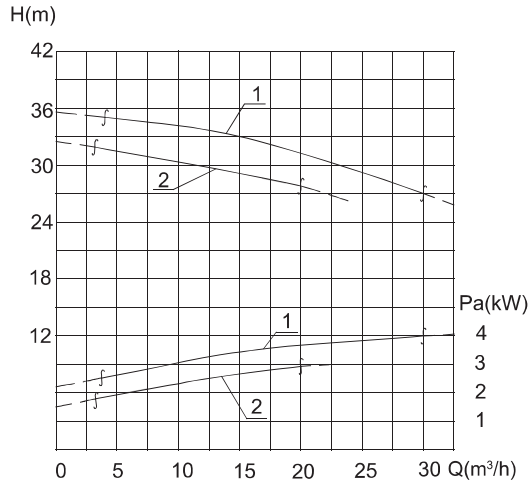
Table 3:

Supporting WQ/E pump (one control one)				
Serial no.	Power rate (kW)	Power rate		Cabinet size (height×width×thickness)
		Cost saving configuration	High-end configuration	
1	0.37	KQK/T-3AcE-0.37	KQK/G-3AcE-0.37	700×500×200
2	0.55	KQK/T-3AcE-0.55	KQK/G-3AcE-0.55	700×500×200
3	0.75	KQK/T-3AcE-0.75	KQK/G-3AcE-0.75	700×500×200
4	1.1	KQK/T-3AcE-1.1	KQK/G-3AcE-1.1	700×500×200
5	1.5	KQK/T-3AcE-1.5	KQK/G-3AcE-1.5	700×500×200
6	2.2	KQK/T-3AcE-2.2	KQK/G-3AcE-2.2	700×500×200
7	3	KQK/T-3AcE-3	KQK/G-3AcE-3	700×500×200
8	4	KQK/T-3AcE-4	KQK/G-3AcE-4	700×500×200
9	5.5	KQK/T-3AcE-5.5	KQK/G-3AcE-5.5	700×500×200
10	7.5	KQK/T-3AcE-7.5	KQK/G-3AcE-7.5	700×500×200

50WQ/E18-32-4 50WQ/E12-30-3

Discharge DN 50mm

Curves

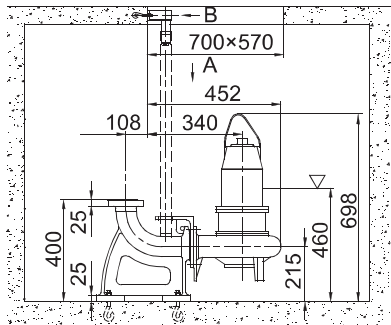


Main parameter

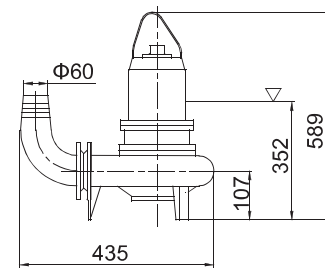
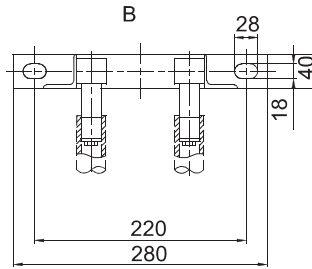
Serial No.	New model	Old model	Pass through channel (mm)	Rotation (r/min)	Weight (kg)
1	50WQ/E18-32-4	50WQ/E245-3	oval 26.5×34	2890	42
2	50WQ/E12-30-3	50WQ/E254-3	oval 26.5×34	2880	40
Serial No.	Motor rated power (kW)	Rated current (A)	Motor power cosΦ	Motor efficiency (%)	Torque/locked motor
1	4	8.2	0.87	85.5	2.2
2	3	6.4	0.87	82	2.2
	Q-H	Small flow rate	Intermedium	Big flow rate	
1	m³/h—m	4-35	18-32	30-27	
2		4-32	12-30	20-28	

Installation chart

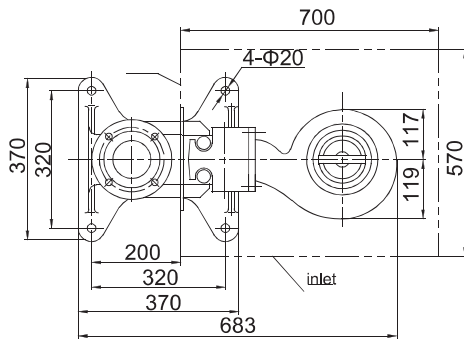
Z auto-coupling installation



R soft tube installation

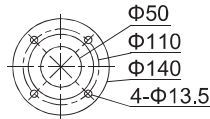


A



Y hard tube mobile installation

Flange size



GB/T17241.6 PN6 standard

