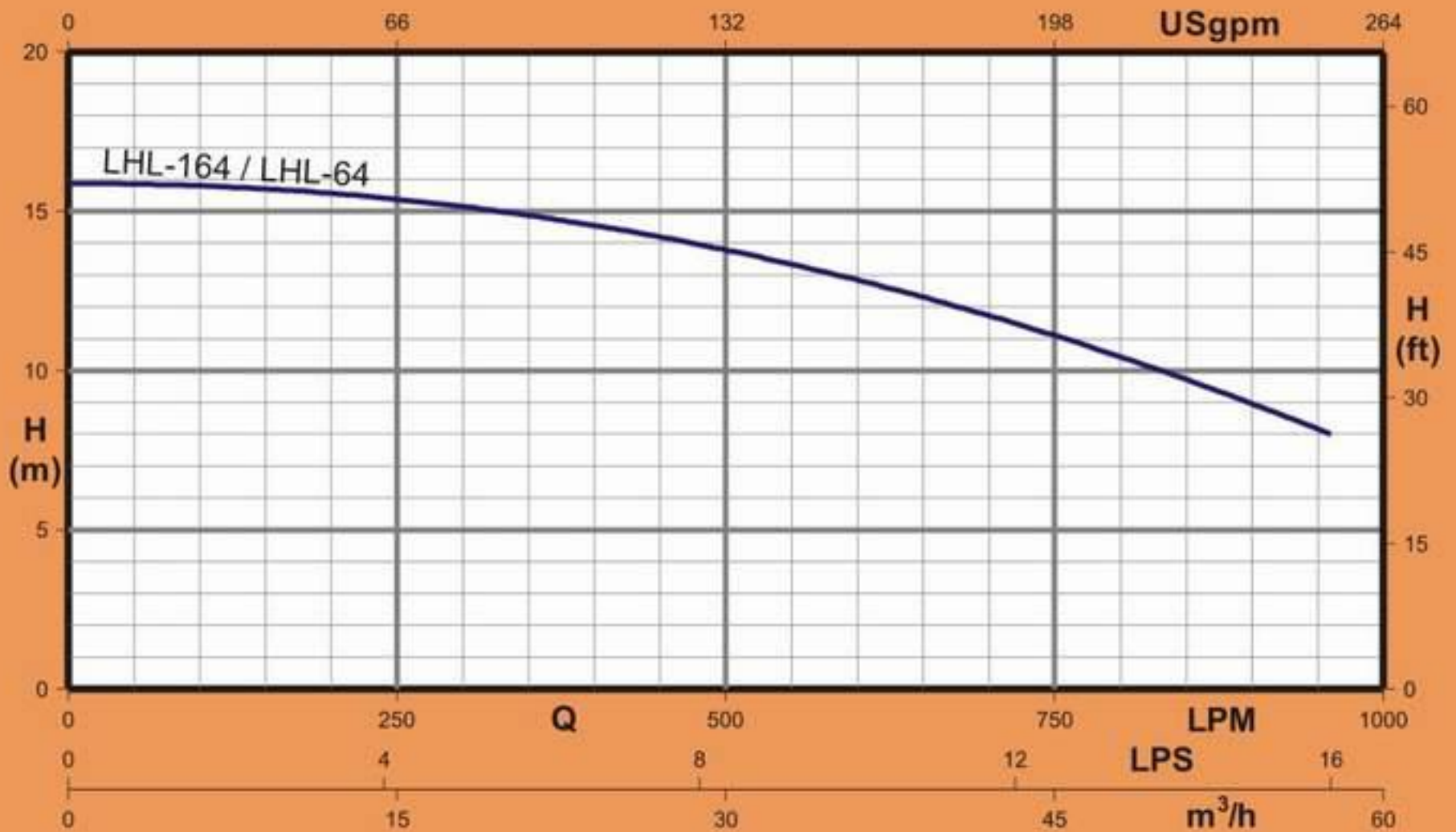
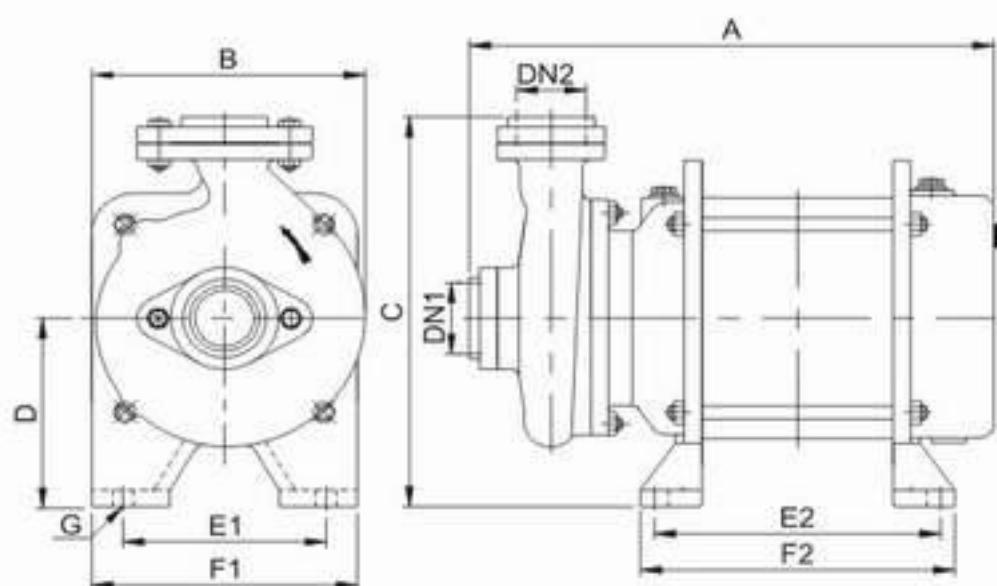


PERFORMANCE CHART AT n = 2900 RPM FOR 3" X 3" PUMPS



PERFORMANCE DATA AT n = 2900 RPM

MODEL	MODEL	POWER		m ³ /h l/min	12	24	36	48	57
		kW	HP		200	400	600	800	950
LHL-164	LHL-64	1.50	2.0	H (m)	15.5	14.5	13	10.5	8



DIMENSIONS

MODEL		DN1	DN2	DIMENSIONS mm									GROSS WEIGHT kg.	VOLUME m ³
Single Phase	Three Phase			A	B	C	D	E1	E2	F1	F2	G		
LHL-164	-	3"	3"	442	210	292	115	117	251	153	267	12	47.0	0.1092
-	LHL-64	3"	3"	417	210	292	115	117	226	153	242	12	42.5	0.0819

