



*Single-phase  
Portable Dewatering Pumps*

**LB/HS/NK  
LSC/LSP**



**LB**



**LB-A**



**HS**



**NK**



**LSC**



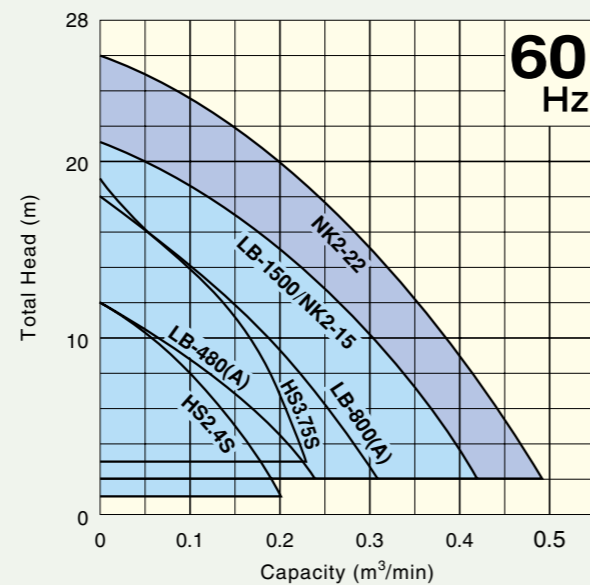
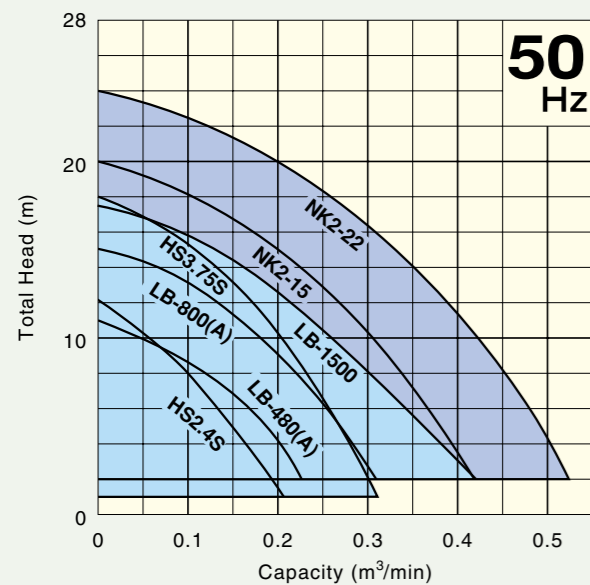
**LSP**

# Specification Table

Category		Submersible Pump			
		General Dewatering			
Series		LB	LB-1500	HS	NK
Discharge Bore	mm	50 (80)	50 (80)	50 · 80 (50)	50
Motor	Output	0.48 – 0.75	1.5	0.4 – 0.75	1.5 – 2.2
	No. of Poles	2	2	2	2
Discharge Design	Top Discharge	Flow-Thru	●	●	
		Side Flow			●
	Side Discharge			●	
Impeller		Semi-vortex	Semi-open	Semi-vortex	Semi-vortex
Automatic Operation		Electrode (LB-A)	—	Float (HSZ)	—
Page No.		3 – 4	5	6	7

Category		Submersible Pump	Non-submersible Pump
		Residue Dewatering	
Series		LSC	LSP
Discharge Bore	mm	25	25
Motor	Output	0.48	0.48
	No. of Poles	2	2
Discharge Design	Top Discharge	Flow-Thru	●
		Side Flow	
	Side Discharge		
Impeller		Semi-vortex	Semi-vortex
Automatic Operation		—	—
Page No.		8	9

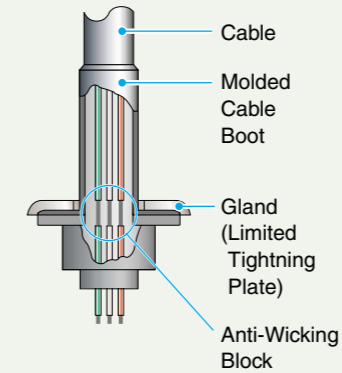
# Selection Curves



# Common Features

## Anti-Wicking Cable Entry

An anti-wicking block is provided at the cable entry section of the motor chamber. Even if the cable jacket becomes damaged or the tip of the cable is accidentally immersed in water, this device prevents water from traveling into the motor chamber through capillary action.



## High-Performance Motor

Dry type, squirrel-cage induction motor, housed in a watertight casing, conforms to either insulation class B or E. In both of these classes, all standard pumps can be used in ambient temperatures up to 40°C.



## Automatic Motor Protection Device

A built-in thermal motor protection device reacts to the heat caused by overcurrent or run-dry conditions. It not only cuts off the motor circuit automatically but also resets by itself. When the motor cools down to a safe operating temperature, the motor restarts.



Miniature Thermal Protector



Circle Thermal Protector

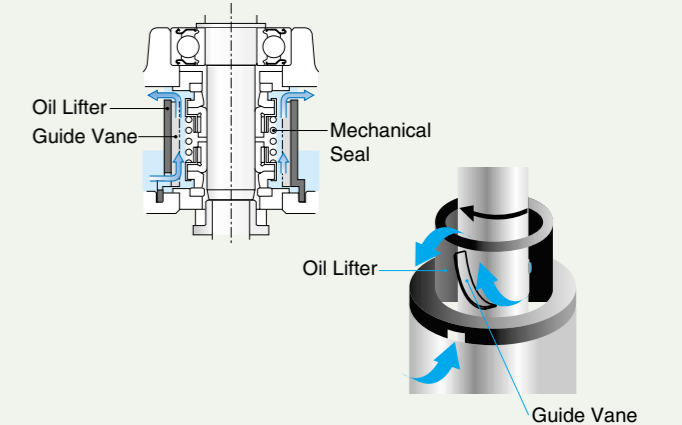
## Dual Inside Mechanical Seal

A dual inside mechanical seal, located in the oil chamber together with the Oil Lifter, has two sealing faces made of quality materials, including silicon carbide (SiC). The advantages of this seal are two-fold; it eliminates spring failure caused by corrosion, abrasion or fouling, which can prevent the seal faces from closing properly, and prevents loss of cooling to the lower seal faces during run-dry conditions, which causes the lower seal faces to fail.



## Oil Lifter (Patented)

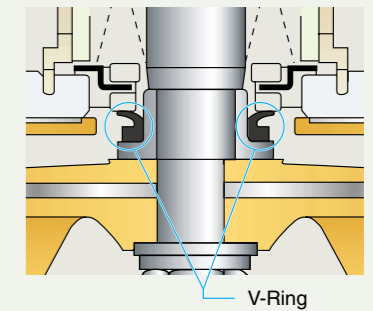
The Oil Lifter was developed as a lubricating device for the mechanical seal. Utilizing the centrifugal force of the shaft seal, the Oil Lifter forcibly supplies lubricating oil to the upper seal faces even if the lubricant falls below the specified volume. This amazingly simple device reliably lubricates and cools but also stabilizes the effect of the shaft seal and extends the length of the inspection period.



## V-Ring

**\*Not Available on HS2.4S**

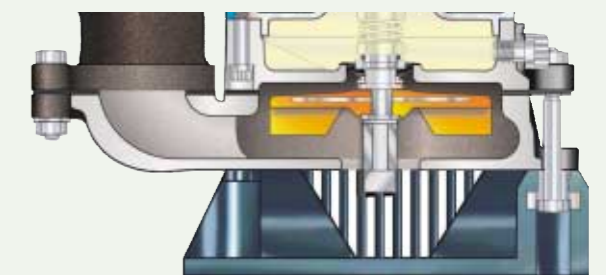
A V-ring is mounted at the top of the impeller and is brought in close contact to the bottom of the mechanical seal by the internal pressure of the pump casing. This V-ring acts as a dust seal to prevent fine abrasive particles in the pumping fluid from reaching the mechanical seal.



## Semi-Vortex Design

**\*Not Available on LB-1500 series**

The "high-gap structure" used on the pump minimizes the "impeller lock" that can occur when the pump sucks in a large amount of sand at once. This structure is highly resistant to wear, and performance is largely unaffected even if the impeller becomes worn.



## Light, Compact, Easy-to-Uses Tsurumi Typical Portable Pumps, Perfect for a Variety of Applications



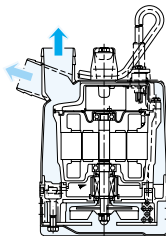
Automatic Version



### Individual Features

#### Flow-Thru Design

An excellent cooling effect for the motor can be achieved at low water levels. The top discharge port enables the pump to be installed in narrow locations.



#### Multi-Directional Hose Coupling

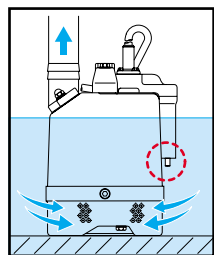
Discharge can be converted to horizontal direction. Notched bolt holes enable the hose coupling to be removed by merely loosening the cap nuts.



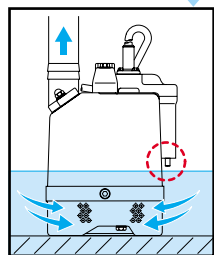
#### Slimline Models

The non-automatic model has the overall dimension of 187 mm and can fit in a 200-mm (8") casing.

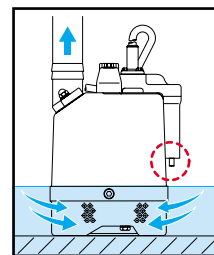
### Automatic Operation



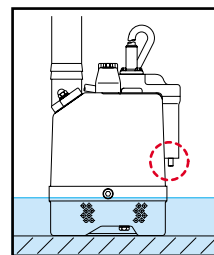
Electrodes submerged in water. Pump starts operation.



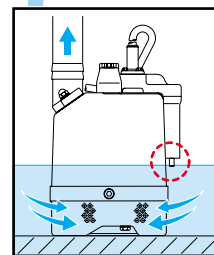
Water level falling. Electrodes emerged from water and timer starts.



Pump continues operation for 1 min.



Timer makes pump to stop operation.



Water level reaches electrodes. Pump restarts.

### Major Standard Specifications

Discharge Bore		mm	50(80)	
Motor Output		kW	0.48 - 0.75	
Pumping Fluid	Type of Fluid	Rain, Spring, Ground, Sand Carrying Water		
	Fluid Temperature	0 to 40°C		
Pump	Structure	Impeller	Semi-vortex	
		Shaft Seal	Double Mechanical Seal (with Oil Lifter)	
		Bearing	Double-shielded Ball Bearing	
	Materials	Impeller	Urethane Rubber	
		Casing	Synthetic Rubber	
		Suction Cover	Carbon Steel + Urethane Rubber	
Motor	Type, Pole	Dry Type Submersible Induction Motor, 2-pole		
	Insulation	Class E		
	Phase/Voltage	Single-phase/ 110V, 220V, 230V, 240V		
Motor	Starting Method	Capacitor Run		
	Protection Device (Built-in)	Miniature Thermal Protector/ Circle Thermal Protector		
	Lubricant	Turbine Oil (ISO VG32)		
	Materials	Frame	Aluminium Alloy Die-casting	
		Shaft	403 Stainless Steel	
		Cable	PVC	

#### Simple Structure

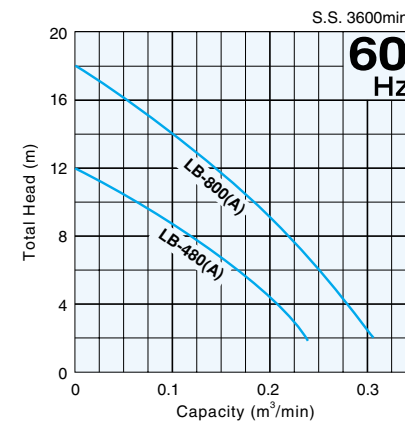
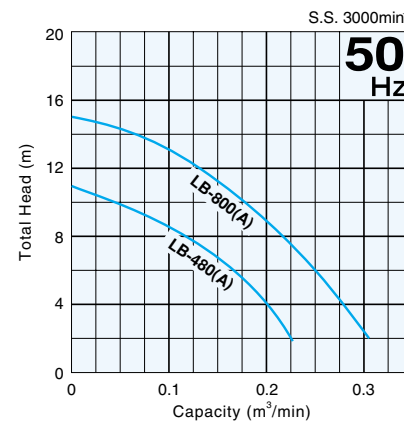
The pump section can be disassembled and reassembled using a single 13-mm box wrench.

#### Electrode Auto Control Device (LB-A)

Stable electrode-type sensor ON/OFF operation prevents dry running, saves power consumption, and extends operational life.



### Performance Curves

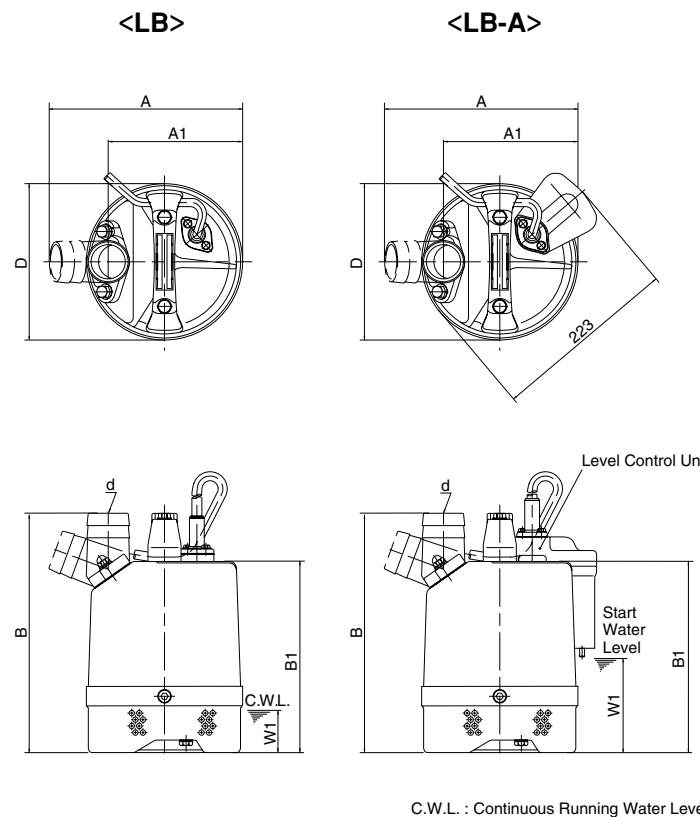


### Standard Specifications 50/60Hz

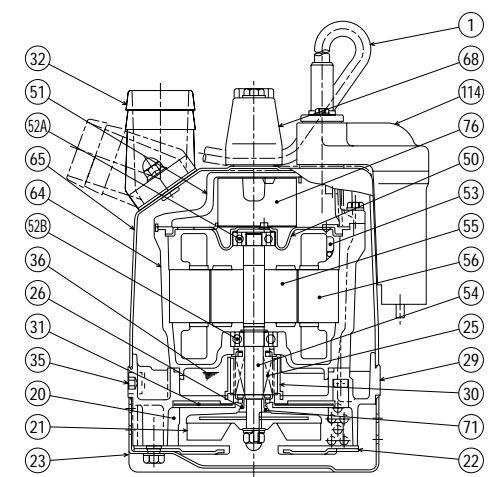
Discharge Bore mm	Model	Motor Output kW	Phase	Starting Method	Dry Weight kg	Cable Length m	Dimensions mm						C.W.L. mm
							d	A	A1	B	B1	D	
50	LB-480	0.48	Single	Capacitor Run	10.4	5	50	233	162	286	228	187	50
50	LB-480A	0.48	Single	Capacitor Run	11.0	5	50	233	162	286	228	187	115
50(80)	LB-800	0.75	Single	Capacitor Run	13.2	5	50	230	160	337	283	187	50
50(80)	LB-800A	0.75	Single	Capacitor Run	13.8	5	50	230	160	337	283	187	170

● 80 mm discharge available upon request ● Dry weight excluding cable

### Dimensions



### Cross-Section



No.	Description	No.	Description	No.	Description
1	Cable	31	Wearing Plate	54	Shaft
20	Pump Casing	32	Hose Coupling	55	Rotor
21	Impeller	35	Oil Plug	56	Stator
22	Suction Cover	36	Lubricant	64	Motor Frame
23	Strainer Stand	50	Motor Bracket	65	Outer Cover
25	Mechanical Seal	51	Motor Head Cover	68	Handle
26	V-ring	52A	Upper Bearing	71	Shaft Sleeve
29	Oil Casing	52B	Lower Bearing	76	Capacitor
30	Oil Lifter	53	Motor Protector	114	Relay Unit

C.W.L. : Continuous Running Water Level

# LB-1500

## LB-Series High-Head Type Pump Fits into an 8" Casing

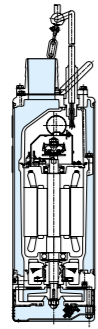
General Dewatering Pump



### Individual Features

#### Flow-Thru Design

An excellent cooling effect for the motor can be achieved at low water levels. The top discharge port enables the pump to be installed in narrow locations.



#### Internal Starting Capacitor

A starting capacitor is built into the pump, despite of the high-performance motor.

#### Slimline Models

The pump has the overall dimension of 187 mm and can fit in a 200-mm (8") casing, making it suitable for dewatering wells.

#### Simple Structure

The pump section can be disassembled and reassembled using a single 13-mm box wrench.

### Major Standard Specifications

Discharge Bore	mm	50(80)	
Motor Output	kW	1.5	
Pumping Fluid	Type of Fluid	Rain, Spring, Ground, Sand Carrying Water	
	Fluid Temperature	0 to 40°C	
Pump	Structure	Impeller: Semi-open Shaft Seal: Double Mechanical Seal (with Oil Lifter) Bearing: Double-shielded Ball Bearing	
	Materials	Impeller	High-chromium Cast Iron
		Casing	Synthetic Rubber
		Outer Cover	Carbon Steel
		Shaft Seal	Silicon Carbide
Motor	Type, Pole	Dry Type Submersible Induction Motor, 2-pole	
	Insulation	Class B	
	Phase/Voltage	Single-phase/ 110V, 220V, 230V, 240V	
	Starting Method	Capacitor Start	
	Protection Device (Built-in)	Circle Thermal Protector	
	Lubricant	Turbine Oil (ISO VG32)	
Materials	Frame	Aluminium Alloy Die-casting	
	Shaft	403 Stainless Steel	
	Cable	Chloroprene Rubber	

● Three-phase model available upon request

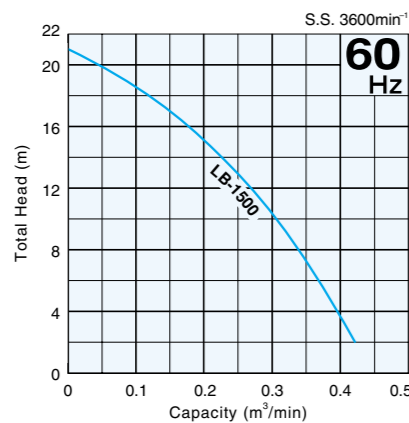
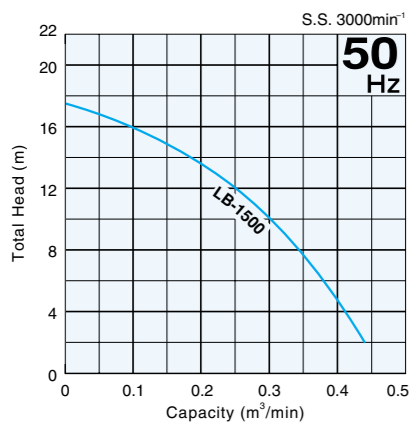
### Applications

Draining at civil engineering and building sites  
Draining storm water, groundwater, or puddles  
Draining from basements or utility pits  
Draining water from dewatering wells

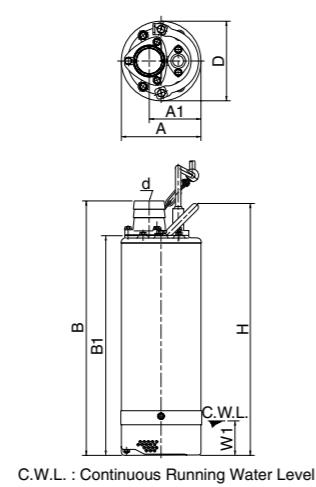
### Standard Accessories

- Hose Coupling.....1pc.
- Hose Band.....1pc.

### Performance Curves



### Dimensions



C.W.L. : Continuous Running Water Level

### Standard Specifications 50/60Hz

Discharge Bore mm	Model	Motor Output kW	Phase	Starting Method	Dry Weight kg	Cable Length m	Dimensions mm							C.W.L. mm
							d	A	A1	B	B1	D	H	
50(80)	LB-1500	1.5	Single	Capacitor Start	33	10	50	187	122	600	518	187	593	80

● 80 mm discharge available upon request ● Dry weight excluding cable

# HS

General Dewatering Pumps

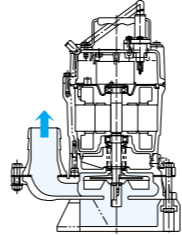
## Equipped with an Agitator and a Spiral Pump Casing, Sand, Solids, Debris are Pumped with Minimal Wear and Clogging



### Individual Features

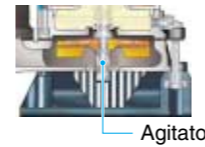
#### Spiral Design

The large channel in the spiral casing allows sand and slit-laden water to pass through efficiently.



#### Air Lock Prevention

The shaft-mounted agitator prevents the "air lock" that tends to take place on vortex pumps.



#### Simple Structure

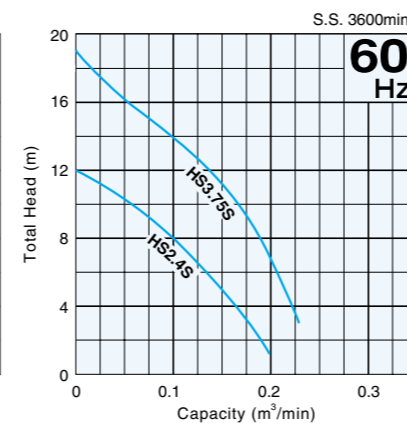
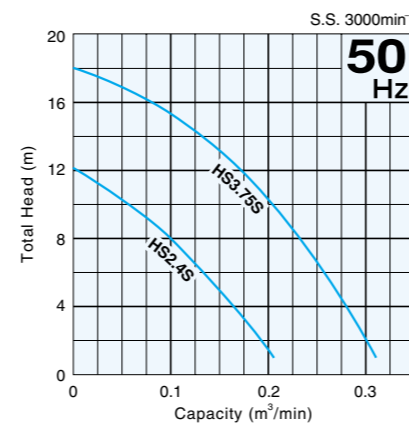
The pump section can be disassembled and reassembled using a single 13-mm box wrench.

#### Auto Operation with Float Switch (HSZ)

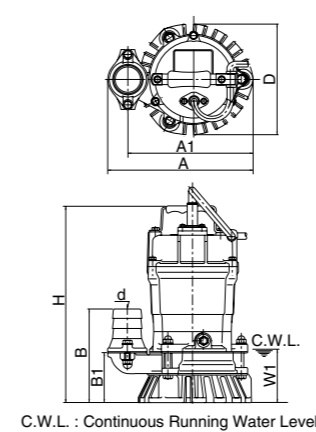
The pump employs a float switch for automatic operation to prevent dry running and lower power consumption.



### Performance Curves



### Dimensions



C.W.L. : Continuous Running Water Level

### Standard Specifications 50/60Hz

Discharge Bore mm	Model	Motor Output kW	Phase	Starting Method	Dry Weight kg	Cable Length m	Dimensions mm							C.W.L. mm
							d	A	A1	B	B1	D	H	
50	HS2.4S	0.4	Single	Capacitor Run	11.3	5	50	241	207	158	84	184	328	90
80(50)	HS3.75S	0.75	Single	Capacitor Run	19.6	5	80	285	233	217	109	184	388	90

● 50 mm discharge available upon request. Note that smaller discharge may increase friction loss. ● Dry weight excluding cable

# NK

General Dewatering Pumps

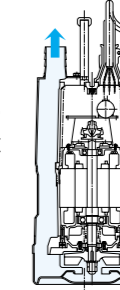
## Heavy-Duty, High-Head Pumps for Handling Abrasive Materials Found on Construction Sites



### Individual Features

#### Side Flow Design

Achieved efficient cooling of the motor. The top discharge port makes the pump easier to install in narrow locations.



#### Internal Starting Capacitor

A starting capacitor is built into the pump, despite of the high-performance motor.

#### Simple Structure

The pump section can be disassembled and reassembled using a single 13-mm box wrench.

### Major Standard Specifications

Discharge Bore	mm	50	
Motor Output	kW	1.5 - 2.2	
Pumping Fluid	Type of Fluid	Rain, Spring, Ground, Sand Carrying Water	
	Fluid Temperature	0 to 40°C	
Pump	Structure	Impeller: Semi-vortex Shaft Seal: Double Mechanical Seal (with Oil Lifter) Bearing: Double-shielded Ball Bearing	
	Materials	Impeller	Ductile Cast Iron
		Casing	Synthetic Rubber
		Shaft Seal	Silicon Carbide
		Type, Pole	Dry Type Submersible Induction Motor, 2-pole
Insulation	Class B		
Phase/Voltage	Single-phase/ 110V, 220V, 230V, 240V		
Starting Method	Capacitor Start/ Capacitor Start + Capacitor Run		
Protection Device (Built-in)	Circle Thermal Protector		
Lubricant	Turbine Oil (ISO VG32)		
Materials	Frame	Aluminium Alloy Die-casting	
	Shaft	403 Stainless Steel	
	Cable	Chloroprene Rubber	

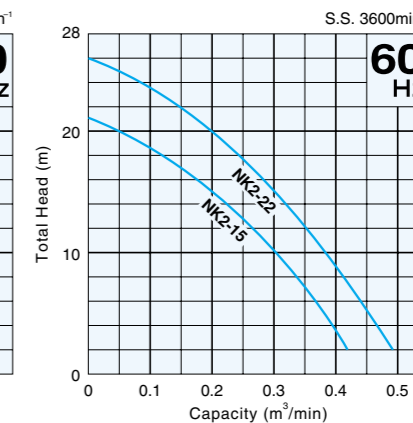
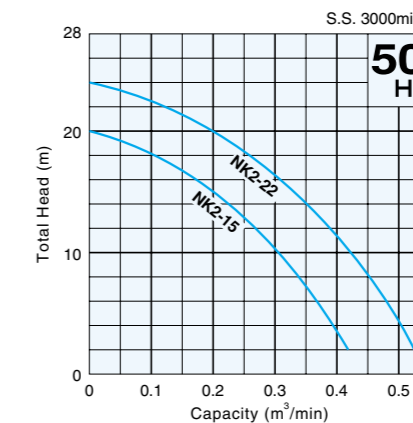
### Applications

Draining at civil engineering or building sites  
Draining storm water, groundwater, or puddles  
Draining from basements or utility pits

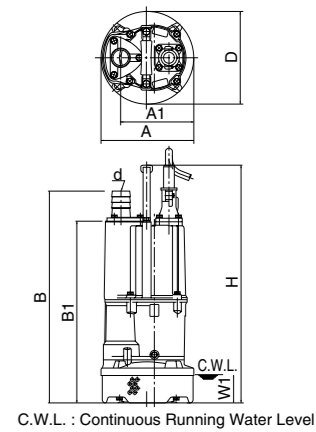
### Standard Accessory

- Hose Coupling.....1pc.

### Performance Curves



### Dimensions



C.W.L. : Continuous Running Water Level

### Standard Specifications 50/60Hz

Discharge Bore mm	Model	Motor Output kW	Phase	Starting Method	Dry Weight kg	Cable Length m	Dimensions mm							C.W.L. mm
							d	A	A1	B	B1	D	H	
50	NK2-15	1.5	Single	Capacitor Start	29	10	50	240	187	555	473	240	573	80
50	NK2-22	2.2	Single	Capacitor Start + Capacitor Run	29	10	50	240	187	555	473	240	573	80

● Dry weight excluding cable

# LSC

Residue Dewatering Pump

## Residue Dewatering Pump that Can Pump Water Down to a Minimum Level of 1 mm



### Individual Features

#### Flow-Thru Design

An excellent cooling effect for the motor can be achieved at low water levels. The top discharge port enables the pump to be installed in narrow locations.

#### Low Water Draining Mechanism

A unique structure enables the pump to drain water down to a minimum water level of 1 mm. A proprietary valve seat and newly developed swing valve prevent the reverse-flow of water once it is sucked in.



#### Rubber Lining Base Plate

The base plate is provided with a rubber lining to prevent scratching of floor surfaces.

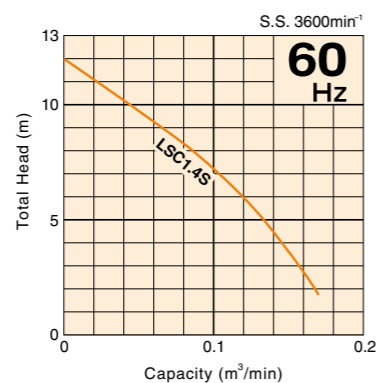
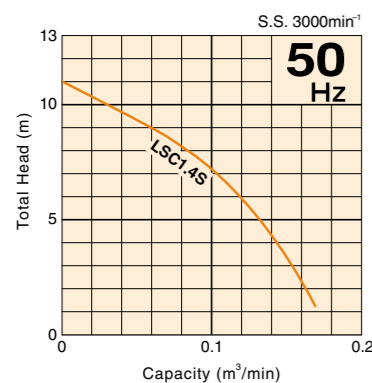
#### Multi-Directional Hose Coupling

Discharge can be converted to horizontal direction. Notched bolt holes enable the hose coupling to be removed by merely loosening the cap nuts.

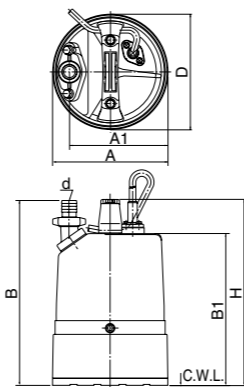
#### Simple Structure

The pump section can be disassembled and reassembled using a single 13-mm box wrench.

### Performance Curves



### Dimensions



C.W.L. : Continuous Running Water Level

### Standard Specifications 50/60Hz

Discharge Bore mm	Model	Motor Output kW	Phase	Starting Method	Dry Weight kg	Cable Length m	Dimensions mm					C.W.L. mm		
							d	A	A1	B	B1		D	H
25	LSC1.4S	0.48	Single	Capacitor Run	12	5	25	196	169	316	258	196	316	1

● Dry weight excluding cable

### Major Standard Specifications

Discharge Bore mm		25	
Motor Output kW		0.48	
Pumping Fluid	Type of Fluid	Residual Water, Puddles	
	Fluid Temperature	0 to 40°C	
Pump	Structure	Impeller: Semi-vortex Shaft Seal: Double Mechanical Seal (with Oil Lifter) Bearing: Double-shielded Ball Bearing	
	Materials	Impeller	Urethane Rubber
		Casing	Synthetic Rubber
		Suction Cover	Carbon Steel + Urethane Rubber
Bottom Plate		Carbon Steel + Synthetic Rubber	
Outer Cover		Carbon Steel	
Shaft Seal	Silicon Carbide		
Motor	Type, Pole	Dry Type Submersible Induction Motor, 2-pole	
	Insulation	Class E	
	Phase/Voltage	Single-phase/ 110V, 220V, 230V, 240V	
	Starting Method	Capacitor Run	
	Protection Device (Built-in)	Miniature Thermal Protector	
	Lubricant	Turbine Oil (ISO VG32)	
	Materials	Frame: Aluminium Alloy Die-casting Shaft: 403 Stainless Steel Cable: PVC	

### Applications

Ideal for complete drainage of flat surfaces where a sump is not available. Rooftops, parking lots, utility pits, basements, plant maintenance, pools

### Standard Accessories

- Hose Band ..... 1pc.
- 25 mm Hose Coupling with Union Hose Band ..... 1set

# LSP

Self-Priming Residue Dewatering Pump

## Residue Dewatering Pump that is Incorporated a Novel Mechanism of Reverse-Flow Prevention



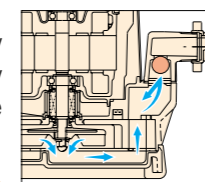
### Individual Features

#### Flow-Thru Design

An excellent cooling effect for the motor can be achieved at low water levels.

#### Low Water Draining Mechanism

The pump is ideal for draining shallow flooding and narrow spaces. The new siphon breaker mechanism prevents the reverse-flow of water once it is sucked in.



#### Free-Positioning Suction Attachment

The suction attachment can be placed freely without the need to move the pump.

#### Simple Structure

The pump section can be disassembled and reassembled using a single 13-mm box wrench.

### Applications

Ideal for complete drainage of flat surfaces where a sump is not available. Rooftops, parking lots, utility pits, basements, plant maintenance, pools

### Standard Accessories

- 25 mm Hose Coupling with Union ..... 1set
- Suction Hose with Union (5m) ..... 1set
- Suction Attachment ..... 1pc.

### Standard Specifications 50/60Hz

Suction & Discharge Bore mm	Model	Motor Output kW	Phase	Starting Method	Max. Vacuum kPa(mmHg)	Dry Weight kg	Cable Length m	Dimensions mm				
								A	B	B1	D	H
25	LSP1.4S	0.48	Single	Capacitor Run	73.3(550)	16.5	5	276	263	153	240	307

● Dry weight excluding cable

9

We reserve the right to change the specifications and designs for improvement without prior notice.

TSURUMI  
MANUFACTURING CO., LTD.

Your Dealer