



AZIENDA CON SISTEMI QUALITA',
 AMBIENTE, SALUTE E SICUREZZA
 SUL LAVORO CERTIFICATI
 ISO 9001: Certificato Nr. 50 100 3634
 ISO 14001: Certificato Nr. 50 100 12552
 OHSAS 18001: Certificato Nr. 18-104-807

PENTAX s.p.a.
 37040 VERONELLA - VERONA - ITALY
 Viale dell'Industria, 1
<http://www.pentax-pumps.it>

Tel. +39 0442 489500
 Fax. +39 0442 489510

Company		Date	27/02/2020
Project		Item	
Pump	PSC 150-450 Impeller Ø 451.5	Ref No.	

Liquid Data

Liquid	Water	Density	998.30 kg/m ³
Temperature	20 °C	Viscosity	1.005 mm ² /s
Vapor Pressure	2.2045 kPa	pH Value	7

Operating Point Data

Capacity	445.0 m ³ /h	NPSHr	3.0 m
Head	65.0 m	Motor Power	132.00 kW
Efficiency (%)	81.1	Speed	1485 rpm
Power at Duty Point	97.9 kW	Frequency	50 Hz
Impeller Diameter	Ø 451.5	Shut Off Head	69.1 m

Pump Data

Design	Horizontal, double suction, single stage, axially split volute casing pump		
Installation	Horizontal	Direction Of Rotation	Clockwise from the drive end
Suction Flange	EN 1092 PN 16-DN 200	Impeller Type	Double Suction
Discharge Flange	EN 1092 PN 16-DN 150	Pump Weight	430 kg
		Impeller construction	

Shaft Sealing

Type	Mechanical Seal		

Materials

CASING	CAST IRON - GG 25
IMPELLER	DUCTILE CAST IRON - GGG 40
SHAFT	STAINLESS STEEL - AISI 420+QT800
SHAFT SLEEVE	STAINLESS STEEL - AISI 420
CASING WEAR RING	BRONZE - GCUSN10
SEALING TYPE	MECHANICAL SEAL



AZIENDA CON SISTEMI QUALITA',
 AMBIENTE, SALUTE E SICUREZZA
 SUL LAVORO CERTIFICATI
 ISO 9001: Certificato Nr. 50 100 3634
 ISO 14001: Certificato Nr. 50 100 12552
 OHSAS 18001: Certificato Nr. 18-104-807

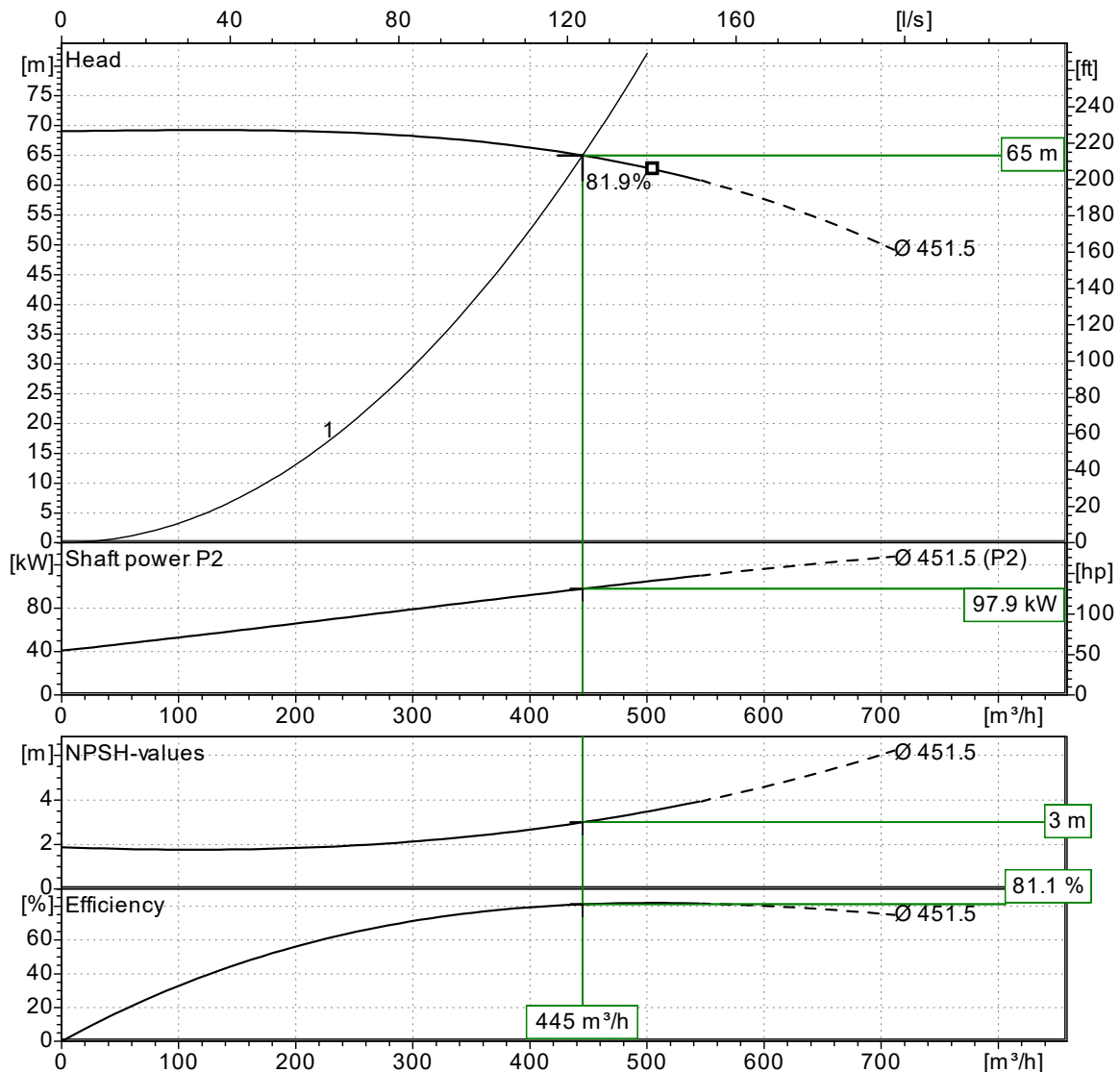
PENTAX s.p.a.
 37040 VERONELLA - VERONA - ITALY
 Viale dell'Industria, 1
<http://www.pentax-pumps.it>

Tel. +39 0442 489500
 Fax. +39 0442 489510

Company		Date	27/02/2020
Project		Item	
Pump	PSC 150-450	Ref No.	

Operating Point Data

Capacity:	445.0 m ³ /h	NPSHr:	3.0 m
Head:	65.0 m	Motor Power:	132.00 kW
Efficiency (%):	81.1	Speed:	1485 rpm
Power at Duty Point:	97.9 kW	Frequency:	50 Hz
Max. Shaft Power:	127.4 kW	Density:	998.30 kg/m ³



Curves compatible with ISO 9906:2012 Gr 3B
 NPSHa > NPSHr + 1m



AZIENDA CON SISTEMI QUALITA',
AMBIENTE, SALUTE E SICUREZZA
SUL LAVORO CERTIFICATI

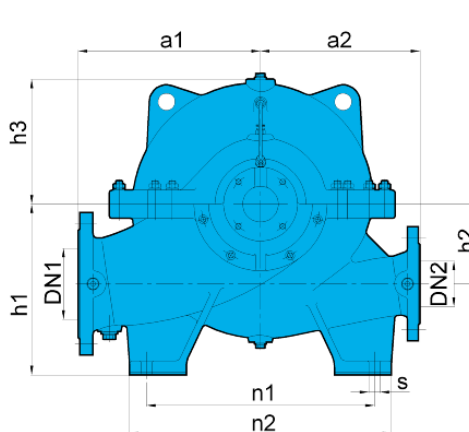
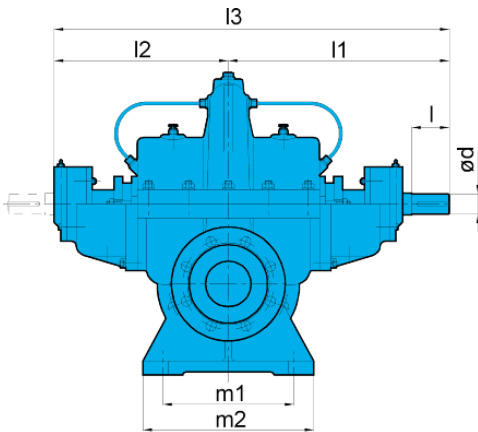
ISO 9001: Certificato Nr. 50 100 3634
ISO 14001: Certificato Nr. 50 100 12552
OHSAS 18001: Certificato Nr. 18-104-807

PENTAX s.p.a.
37040 VERONELLA - VERONA - ITALY
Viale dell'Industria, 1
<http://www.pentax-pumps.it>

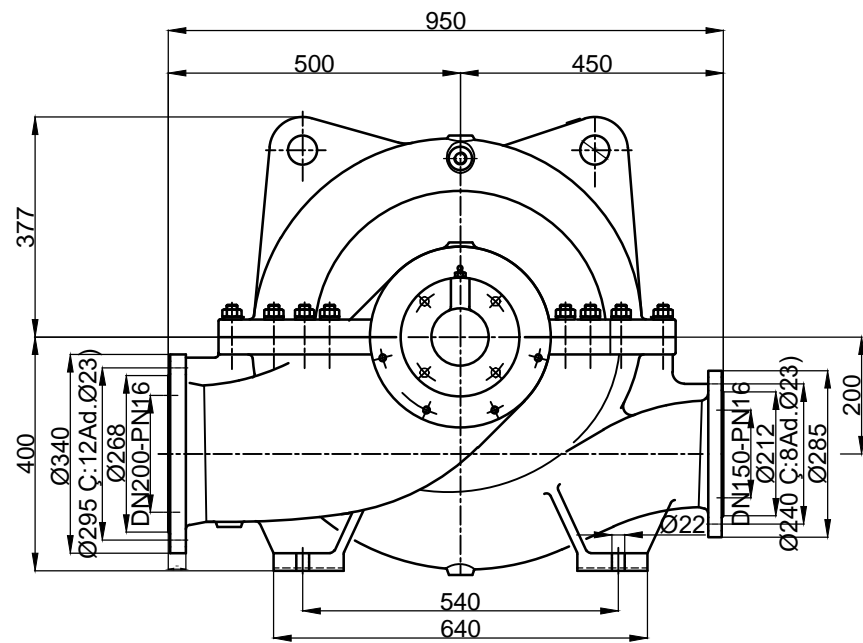
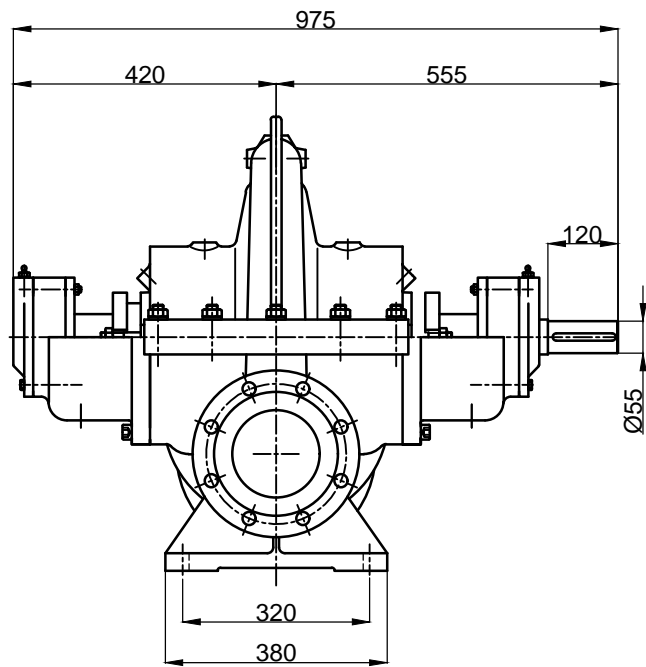
Tel. +39 0442 489500
Fax. +39 0442 489510


Company		Date	27/02/2020
Project		Item	
Pump	PSC 150-450	Ref. No.	

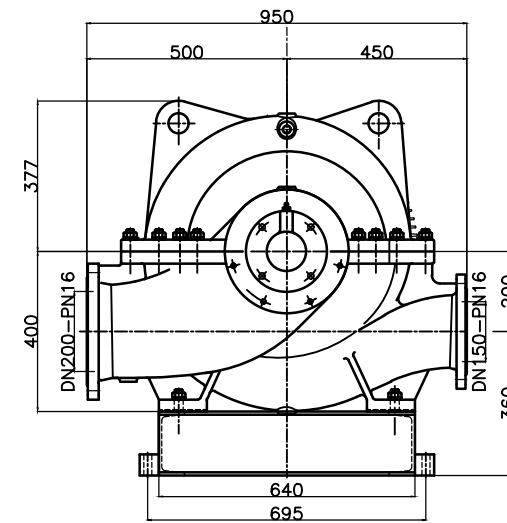
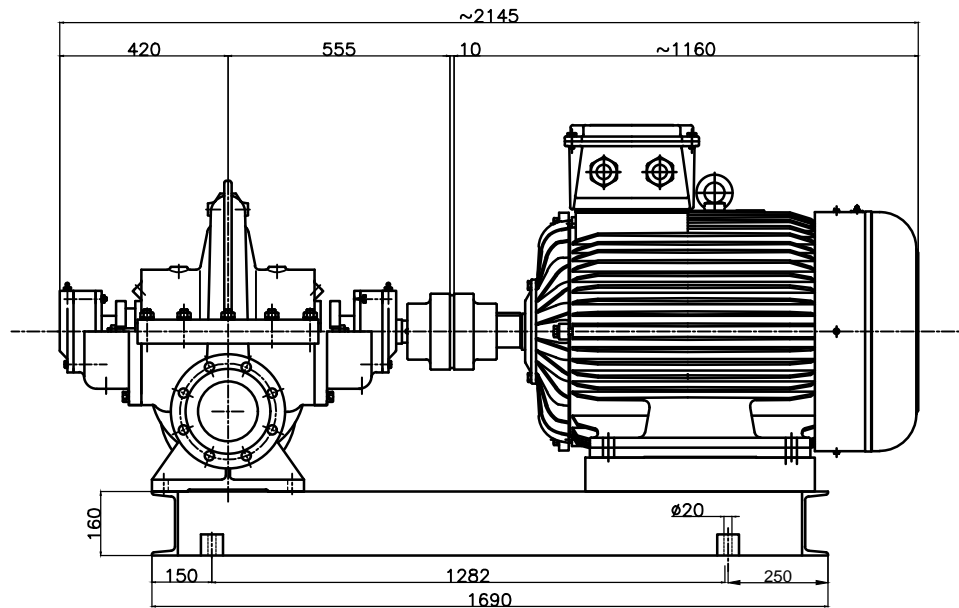
Motor Data			
Efficiency Level		Frequency	50 Hz
Motor Name	132 kW-315 M 4	Motor Phase	3
Motor Power	132.0 kW	Service Factor	1.15
Line Power (P1)		Insulation Class	F
Motor Power (P2)	132.00 kW	Degree of Protection	IP 55
Rated Speed	1450 rpm	Cos phi	0.00
Voltage	400 V	Efficiency	- %




Name	Value
a1	500
a2	450
d	55
DN1	200
DN2	150
h1	400
h2	200
h3	390
KG	430
l	120
l1	585
l2	450
l3	1035
m1	320
m2	380
n1	540
n2	640
s	22



PUMP TYPE	150-450	Motor		
		Type	Power / Speed	
		---	---	
ALL RIGHTS RESERVED CAN NOT BE COPIED AND REPRODUCED FOR ANY PURPOSE WITHOUT PERMISSION.				



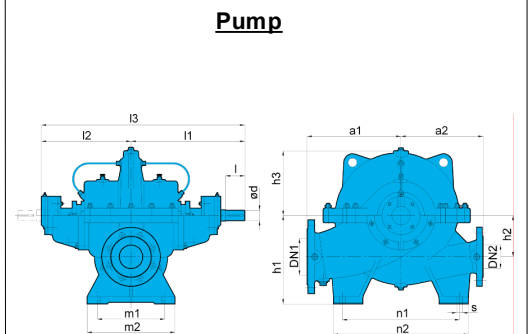
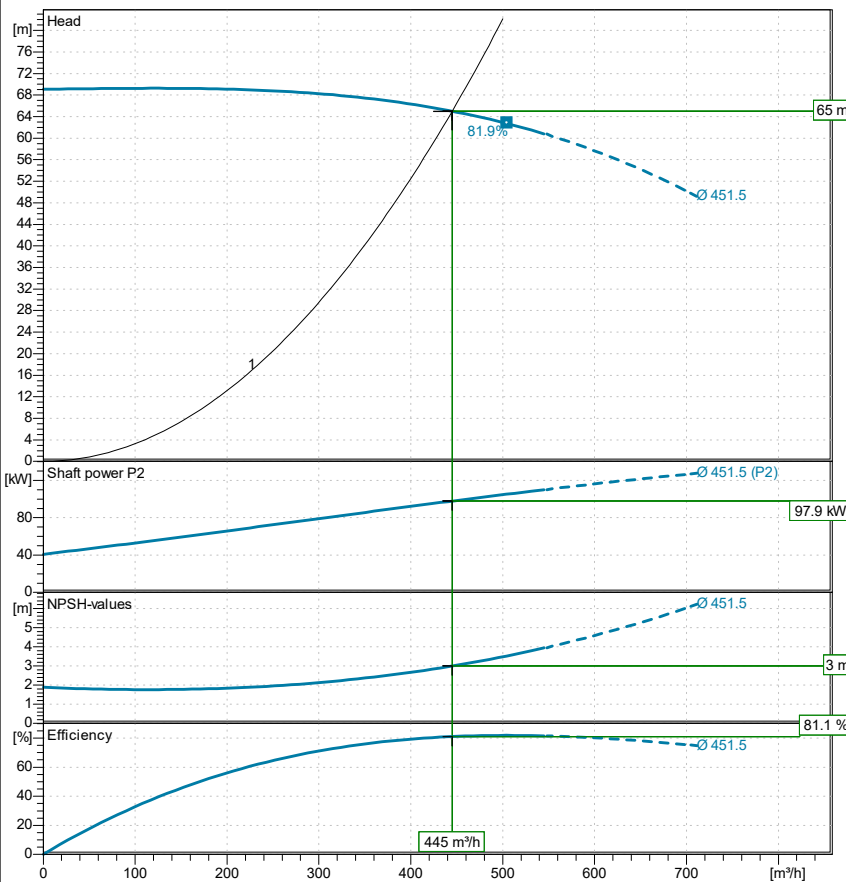
-Provisional drawing.
 -Dimensions shall not be considered as exact to use in your installation.

PUMP TYPE	150-450		Motor		
	Type	Power / Speed	315-M4	132kW-1485rpm	
ALL RIGHTS RESERVED CAN NOT BE COPIED AND REPRODUCED FOR ANY PURPOSE WITHOUT PERMISSION.					

DATA SHEET

Operating Data		Materials	
Capacity	445.0 m ³ /h	Material combination	
Head	65.00 m	Pump	
NPSHr	3.0 m		
Speed	1485 rpm		
Efficiency	%81.1		
Shaft power	97.9 kW		
Liquid	Water		
Temperature	20 °C		
Density/Viscosity	998 kg/m ³ / 1 mm ² /s	Shaft Sealing	Mechanical Seal
Pump Data		Motor Data	
Pump name	PSC 150-450	Manufacturer	
No. of stages	1	Rated Power	132 kW
Impeller	Ø 451.5	Frequency	50 Hz
Impeller type	Double Suction	Motor Phase	3~
Suction Flange	EN 1092 PN 16-DN 200	Voltage	400 V
Suction Flange Diameter		Insulation Class	F
Discharge Flange	EN 1092 PN 16-DN 150	Degree of protection	IP 55
Discharge Flange Diameter	0	Type of protection	--
			--

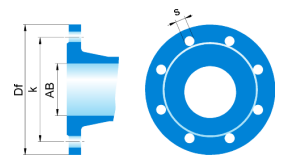
PSC 150-450	1485 rpm	Dimensions (mm)
-------------	----------	-----------------



Name Value

a1	500
a2	450
d	55
DN1	200
DN2	150
h1	400
h2	200
h3	390
KG	430
l	120
l1	585
l2	450
l3	1035
m1	320
m2	380

Flanges



Suction Flange

AB	= 100
Df	= 220
k	= 180
s	= 18

Discharge Flange

AB	= 32
Df	= 155
k	= 110
s	= 22