



daedong



3A165LWS

General Specification

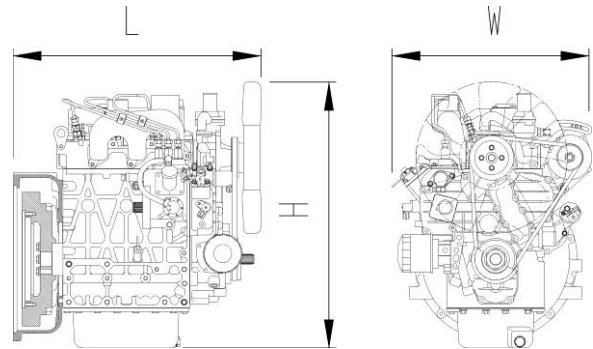
Type	3Cyl, 4Cycle, Liquid cooled Diesel
Combustion system	Indirect Injection
Rated Power	25.4kW (34HP) / 2600rpm
Max. Torque	105N.m / 1700rpm
Fuel Consumption	268 g/kWh under
Bore X Stroke	87mm X 92.4mm
Displacement	1.647 L (100.5in ³)
Idle min/max. rpm	1000 / 2800rpm
Aspiration	Naturally Aspirated
Engine Oil capacity	5.8 L
Governor type	Mechanical
Cooling fan	375mm Puller type
Alternator	12V, 50Amp
Power Take Off	Flywheel [190(7-1/2)] Flywheelhousing (SAE #4) Fuelcamshaft spline (25x18x1.25)
Emission Regulation	EPA Tier 4 Interim EEC Stage 3A Korea Tier 3

Features



Image shown may not be actual engine

Approximate Dimensions and Weight



Length(L)	mm	615
	in	24.2
Width(W)	mm	495
	in	19.5
Height(H)	mm	628
	in	24.7
Dry weight	kg	178
	lb	392

3A165LWS FULL LOAD

