

Pump SB SERIES SR SERIES

PROVEN LONG-TERM DURABILITY

For residential pool & spa



High Flow Rate

High Efficiency

Ring lock Lid Design

1. 2 inch suction and discharge ports
2. Ring-lock lid eliminates leaks and maximizes suction efficiency
3. Asynchronous, two-poles motor
4. Class insulation: 130(B)
5. IPX5 Waterproof standard
6. Built-in thermal protection
7. Overload protection
8. Available in 50Hz or 60Hz for 220V/380V
9. Special designed unions compatible for both Imperial and Metric standards
10. Testing Pressure (50PSI / 3.5Bar)
11. 316 stainless steel shaft
12. 316 stainless steel mechanical seal

 **Emaux**
water technology



* only SB Series Pump is C-Tick and SASO certified

EMAUX WATER TECHNOLOGY CO., LTD

ADDRESS G/F 41 TIN HAU TEMPLE ROAD,

NORTH POINT, HONG KONG

PHONE +852 2832 9880

www.emauxgroup.com

 STRIVE FOR CLEAR WATER

Available from:

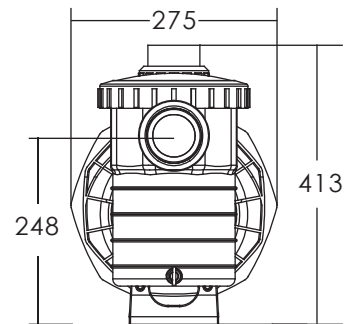
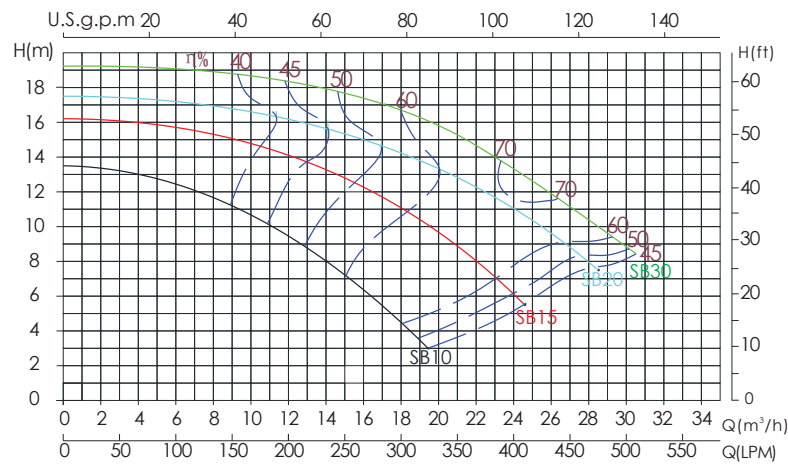
Pool & Spa Equipment

SB SERIES PUMP

SR SERIES PUMP

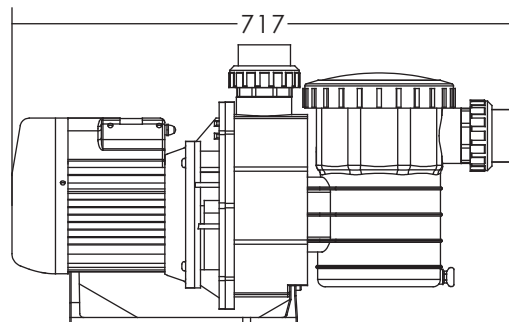


Technical Information:



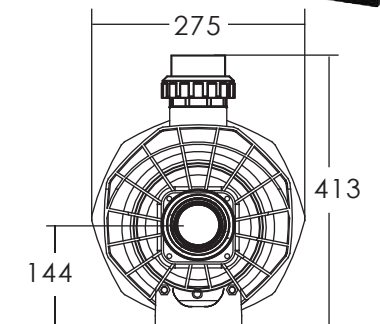
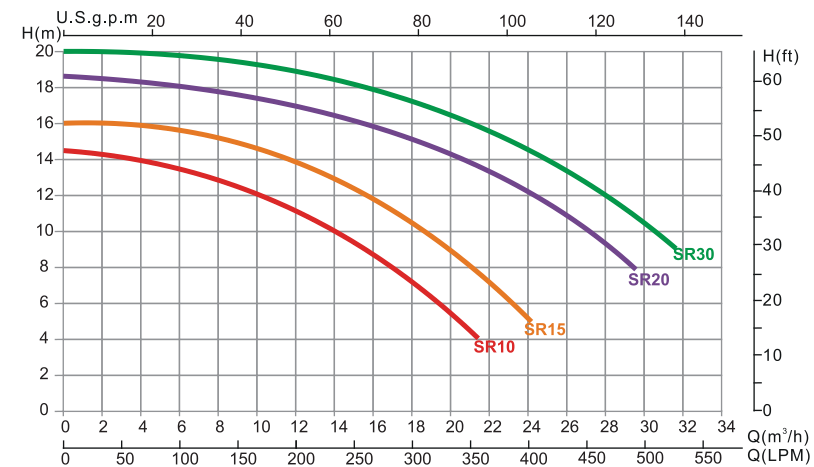
Product Information and Dimensions:

Model 50Hz	Input (kW)	Current (AMP)	Noise (dB)	Head (m)					
				6	8	10	12	14	16
SB10	0.97	4.7	67	16.4	14	11	7	--	--
SB15	1.30	5.9	67	24	22	19.5	16	12	2
SB20	1.80	8.2	69	31	28	25.2	22	18	12
SB30	2.18	10.5	69	34	32	28.4	26	23	19.2



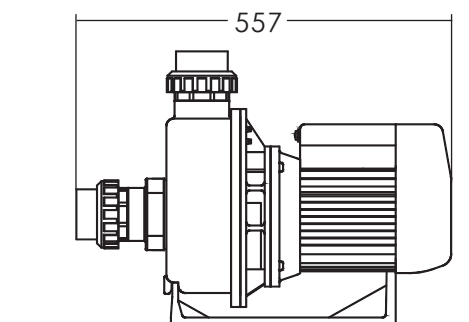
Code 220V/50Hz	Code 220V/60Hz	Code 380V/50Hz	Model	Connection Size	Horsepower	Weight(kg)	Capacitance 220V
88021305	88021405	88021605	SB10	2" / 63mm	1.0hp	16.0	25µF
88021307	88021407	88021607	SB15	2" / 63mm	1.5hp	17.0	25µF
88021308	88021408	88021608	SB20	2" / 63mm	2.0hp	23.0	30µF
88021309	88021409	88021609	SB30	2" / 63mm	3.0hp	24.0	35µF

Technical Information:



Product Information and Dimensions:

Model 50Hz	Input (kW)	Current (AMP)	Noise (dB)	Head (m)					
				6	8	10	12	14	16
SR10	0.97	4.7	67	19.6	17	14	10	4	--
SR15	1.30	5.9	67	23.2	21	18.8	14.8	11.6	2
SR20	1.80	8.2	69	31	29.2	27	24	20.5	16
SR30	2.18	10.5	69	34	32	30.5	28	25	21



Code 220V/50Hz	Code 380V/50Hz	Code 220V/60Hz	Model	Connection Size	Horsepower	Weight (kg)	Capacitance 220V
88023605	88023905	88023705	SR10	2" / 63mm	1.0hp	14.70	25µF
88023607	88023907	88023707	SR15	2" / 63mm	1.5hp	16.30	25µF
88023608	88023908	88023708	SR20	2" / 63mm	2.0hp	19.70	30µF
88023609	88023909	88023709	SR30	2" / 63mm	3.0hp	22.10	35µF