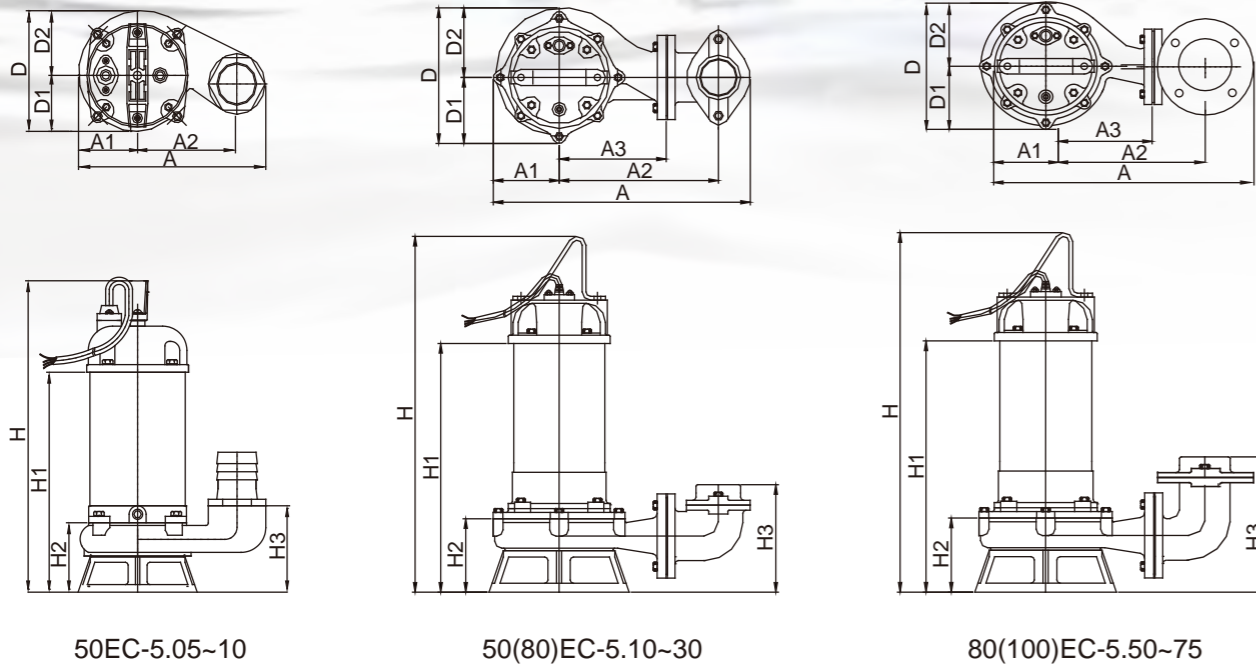


EC-Series Dimensions



Dimensions (mm)											
Type	A	A1	A2	A3	D	D1	D2	H	H1	H2	H3
50EC-5.05	253	95	158	NA	190	95	95	410	285	106	126
50EC-5.10	253	95	158	NA	190	95	95	480	333	106	126
*50(80)EC-5.10	265	95	199	115	190	95	95	402	290	104	164
50(80)EC-5.20	408	108	250	168	217	108	109	560	390	115	168
50(80)EC-5.30	408	108	250	168	217	108	109	580	410	115	168
80(100)EC-5.50	457	110	255	167	227	110	117	610	445	137	225
80(100)EC-5.75	457	110	255	167	227	110	117	650	485	137	225

- » Note1 : Automatic models are available in single-phase versions(0.5~2HP).
- » Note2 : Q.D.C. (Quick Discharge Connection) is available only for Elbow type.
- » Note3 : *50(80)EC-5.10 is Elbow Type.



EVAK PUMP TECHNOLOGY CORP.

No. 551, Zhongshan Rd., Qingshui Dist., Taichung City 436, Taiwan.
 TEL: +886-426-233556 Fax: +886-426-235559



EC SERIES 50HZ

Submersible Cutter Sewage Pump



www.evak-pumps.com

Vol. P/EC-16121

EC SERIES 50HZ

Submersible Cutter Sewage Pump

Feature

- / Tungsten inserts incorporated on the impeller blades to provide shredding action
- / Reliable shaft sealing provided by double mechanical seal in Si.Ca
- / Automatic operation (Optional)

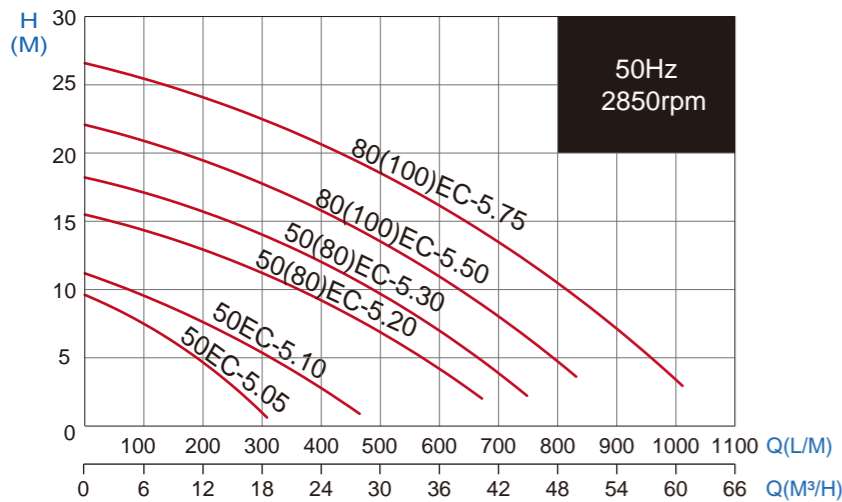
Application

- / Drainage of sewage from building and school basement etc.
- / Septic tank and cesspit
- / Wastewater treatment
- / Ground water drainage

Specifications

Liquid Temperature	0~40°C (32~104°F)	
Submersible depth	10M	
Motor Part	Frequency	50Hz
	Pole	2 Pole
	Type	Dry Motor
	Insulation	Class E
	Protection	IP 68
Pump Part	Protector	Auto-cut
	Bearing	Ball Type
	Mechanical seal	Dual. Mechanical Seal
	Impeller	Semi-Open

Performance Curve



Cutter Impeller
(Tungsten Edge)



50EC-5.05

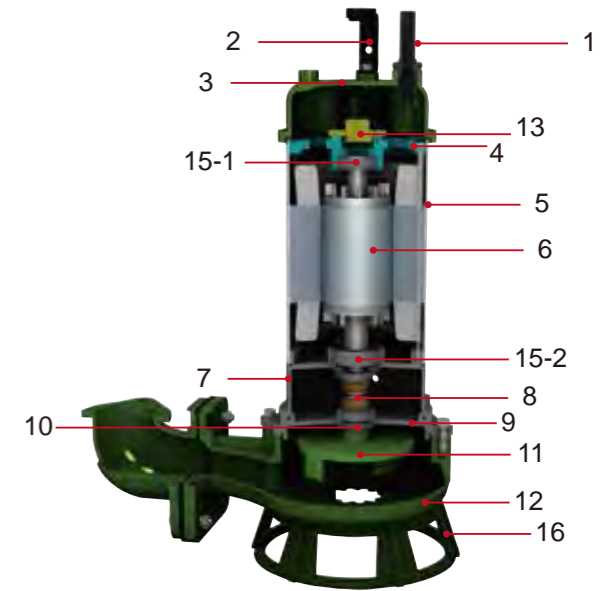


50(80)EC-5.20

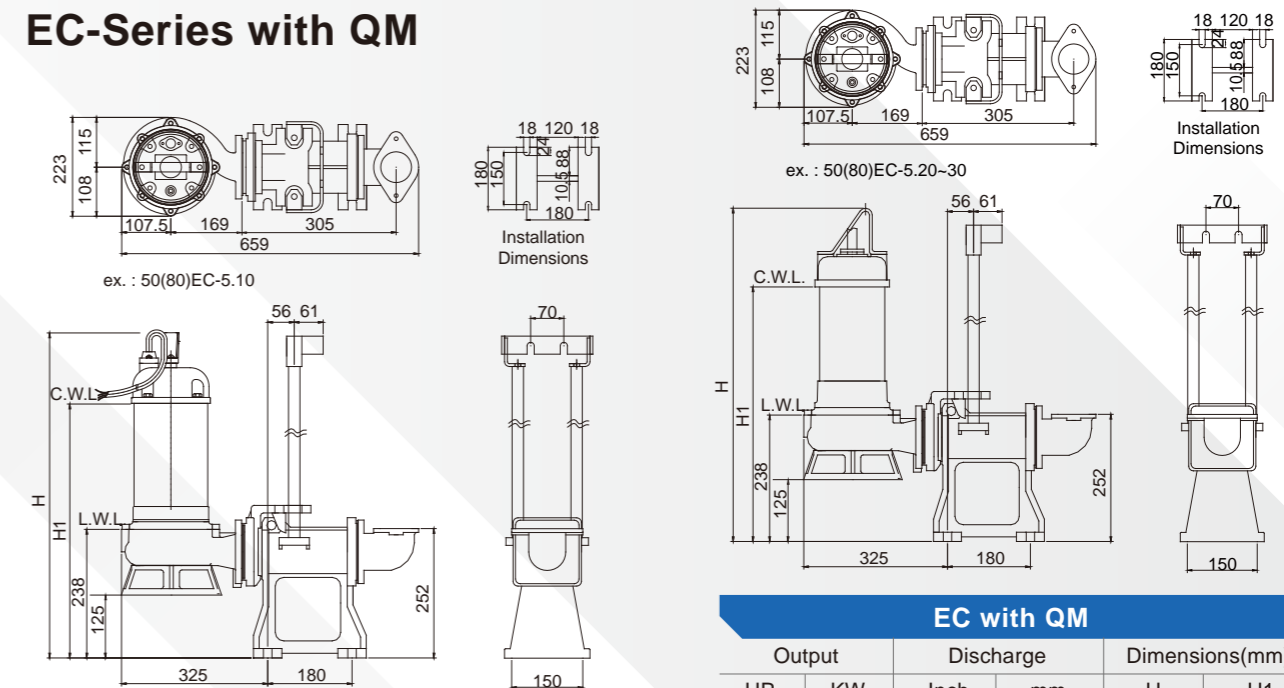


Parts and Material List

No	Part	Material
1	Cable	H07RN-F /SJTOW/STOW
2	Handle	Nylon 6/SS41
3	Motor Cover	Nylon 66/FC 200
4	Bracket	FC 200
5	Motor Housing	SUS 304
6	Shaft with Rotor	SUS 410
7	Oil Chamber	FC 200
8	Double Mech.Seal	Upper : CA / CE Lower : SIC / SIC
9	Seal Housing	FC 200
10	Oil Seal	NBR
11	Impeller	FCD 450+Tungsten edge
12	Pump Casing	FC 200
13	Protector	KLIXON
15-1	Upper Bearing	NTN
15-2	Lower Bearing	NTN
16	Bottom Base	FCD-450



EC-Series with QM



EC with QM

Output		Discharge		Dimensions(mm)	
HP	KW	Inch	mm	H	H1
1	0.75	2"(3")	50(80)	610	466
2	1.5	2"(3")	50(80)	695	525
3	2.2	2"(3")	50(80)	715	545
5	3.7	3"(4")	80(100)	765	587
7.5	5.5	3"(4")	80(100)	805	627

Data Chart

Type	Output		Discharge	F.L.A.		Rated	Maximum		Cable	Free Passage	Weight	Q.D.C.	
	HP	KW		1ø 230V	3ø 400V		Head m	Cap. LPM					Head m
50EC-5.05	0.5	0.37	2"	4	1.2	6	150	9.5	300	10	19	13.3	-
50EC-5.10	1	0.75	2"	6	1.8	8	190	11	430	10	19	19	-
50(80)EC-5.20	2	1.5	2"(3")	11.3	3.5	10	360	15.5	700	10	23	36.5	QM-80
50(80)EC-5.30	3	2.2	2"(3")	-	5.2	11	440	18.5	800	10	23	37.6	QM-80
80(100)EC-5.50	5	3.7	3"(4")	-	8.6	8	690	22.5	950	10	28	55	QM-100
80(100)EC-5.75	7.5	5.5	3"(4")	-	12	12	750	26.5	1100	10	28	62	QM-100

- » 50EC-5.05 : Thread Type
- » 50EC-5.10 : Thread Type / Elbow Type (2" or 3" /Fit with Q.D.C. QM-80)
- » 50(80)EC-5.20~30 : Elbow Type
- » 80(100)EC-5.50~75 : Elbow Type