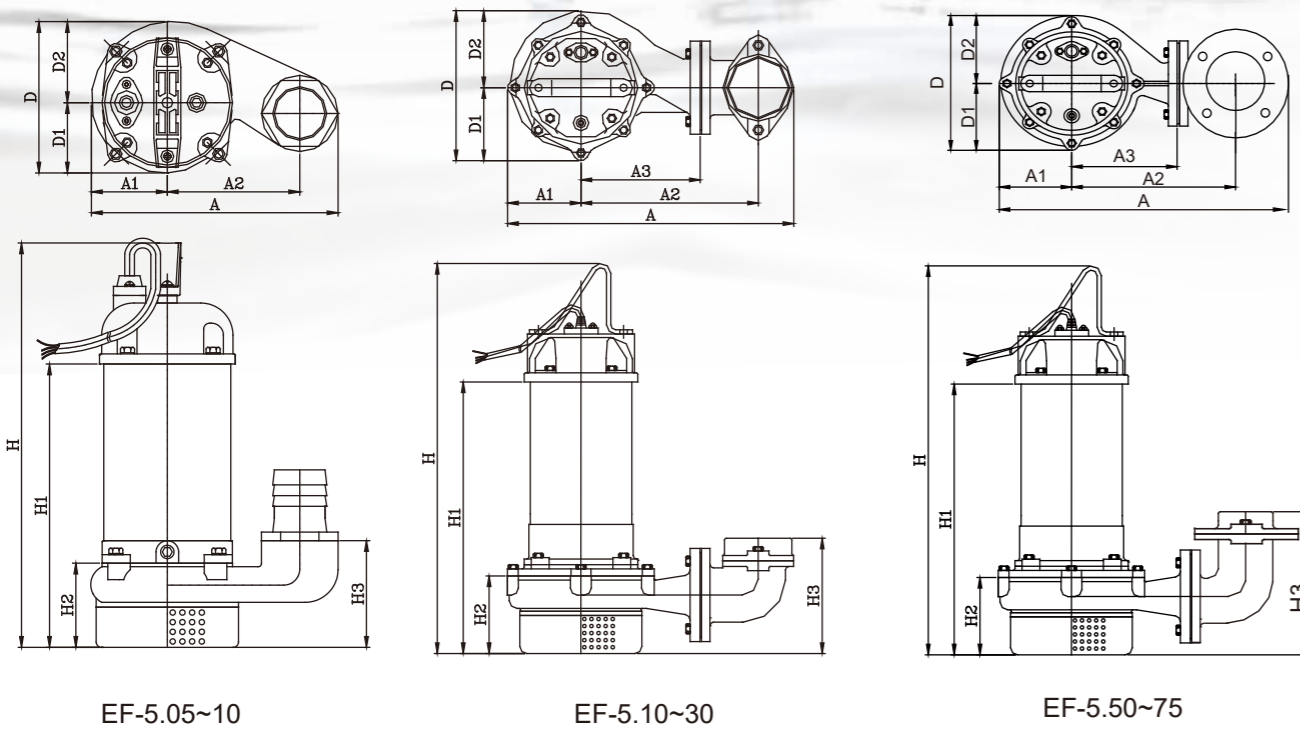


EF-Series Dimensions



| Dimensions (mm) | | | | | | | | | | | |
|-----------------|-----|-----|-----|-----|-----|-----|-----|-----|-----|-----|-----|
| Type | A | A1 | A2 | A3 | D | D1 | D2 | H | H1 | H2 | H3 |
| 50EF-5.05 | 229 | 70 | 123 | NA | 141 | 66 | 75 | 350 | 250 | 79 | 100 |
| 50EF-5.10 | 229 | 70 | 123 | NA | 141 | 66 | 75 | 380 | 285 | 79 | 100 |
| *50(80)EF-5.10 | 325 | 80 | 192 | 110 | 165 | 75 | 90 | 398 | 273 | 97 | 147 |
| 50(80)EF-5.20 | 403 | 103 | 250 | 168 | 212 | 103 | 109 | 555 | 385 | 110 | 163 |
| 50(80)EF-5.30 | 403 | 103 | 250 | 168 | 212 | 103 | 109 | 575 | 405 | 110 | 163 |
| 80(100)EF-5.50 | 466 | 110 | 264 | 176 | 227 | 110 | 117 | 605 | 440 | 132 | 220 |
| 80(100)EF-5.75 | 466 | 110 | 264 | 176 | 227 | 110 | 117 | 645 | 480 | 132 | 220 |

» Note1 : Automatic models are available in single-phase versions(0.05~1HP) and in three-phase versions(0.5~2HP).
 » Note2 : Q.D.C.(Quick Discharge Connection) is available only for Elbow type.
 » Note3 : *50(80)EF-5.10 is Elbow Type



EVAK PUMP TECHNOLOGY CORP.

No. 551, Zhongshan Rd., Qingshui Dist., Taichung City 436, Taiwan.
 TEL: +886-426-233556 Fax: +886-426-235559

Vol.1/EF-16111



EF
SERIES 50HZ
 Submersible Effluent Pump



www.evak-pumps.com

EF SERIES 50HZ

Submersible Effluent Pump

Feature

- / Compact Design / light weight
- / With High Efficiency Impeller
- / Double Mechanical Seals
- / Reliable Shaft sealing
- / Automatic Operation (Optional)

Application

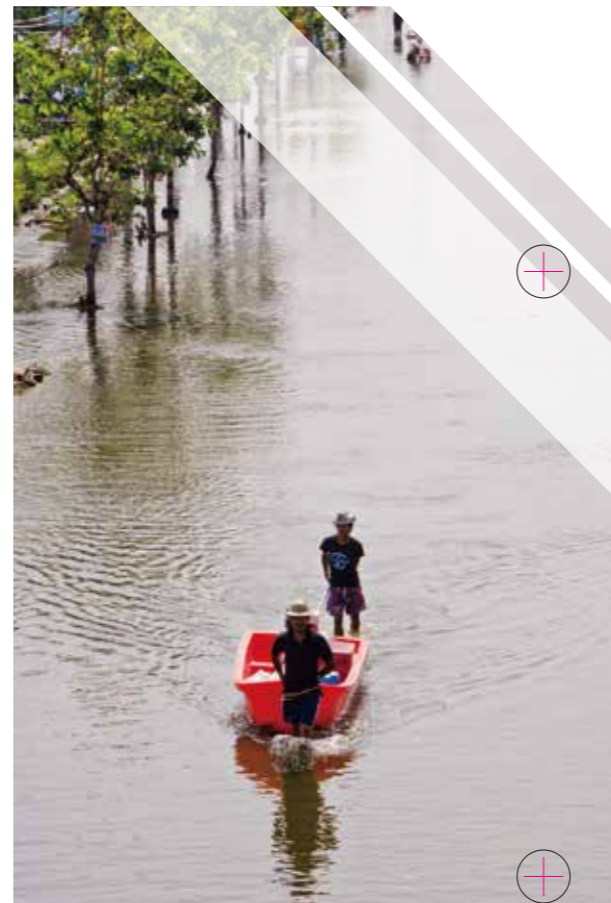
- / Light duty / basement drainage
- / Rainwater effluent
- / Accumulated water drainage

Specifications

| | | |
|--------------------|-----------------|-----------------------|
| Liquid Temperature | | 0~40°C (32~104°F) |
| Submersible depth | | 10M |
| Motor Part | Frequency | 50Hz |
| | Pole | 2 Pole |
| | Type | Dry Motor |
| | Insulation | Class E |
| | Protection | IP 68 |
| Pump Part | Protector | Auto-cut |
| | Bearing | Ball Type |
| | Mechanical seal | Dual. Mechanical Seal |
| | Impeller | Semi-Open |

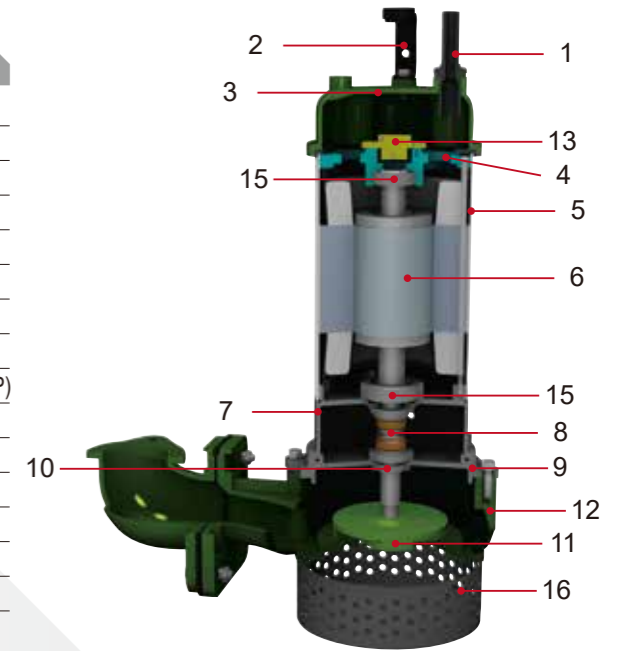


High Efficiency Impeller



Parts and Material List

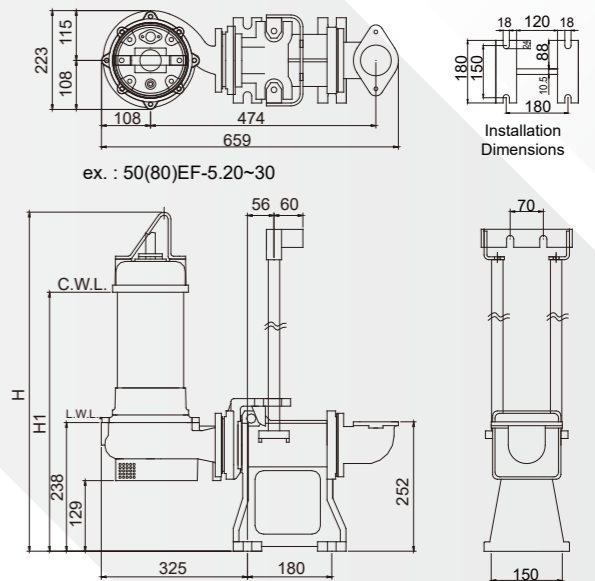
| No | Part | Material |
|----|------------------|--|
| 1 | Cable | H07 / UL |
| 2 | Handle | Nylon 6 / SS41 |
| 3 | Motor Cover | Nylon 66 / FC 200 |
| 4 | Bracket | FC 200 |
| 5 | Motor Housing | SUS 304 |
| 6 | Shaft with Rotor | SUS 410 |
| 7 | Oil Chamber | FC 200 |
| 8 | Double Mech.Seal | Upper : CA / CE Lower : CA / CE(0.5~3HP);SIC / SIC(5~7.5HP) |
| 9 | Seal Housing | FC 200 |
| 10 | Oil Seal | NBR |
| 11 | Impeller | FC 200 |
| 12 | Pump Casing | FC 200 |
| 13 | Protector | |
| 15 | Bearing | NTN |
| 16 | Strainer | SUS 304 |



EF-Series with QM

EF with QM Q.D.C.

| Output | Discharge | | Dimensions(mm) | | |
|--------|-----------|--------|----------------|-----|-----|
| | HP | KW | Inch | mm | H |
| 2 | 1.5 | 2"(3") | 50(80) | 695 | 525 |
| 3 | 2.2 | 2"(3") | 50(80) | 715 | 545 |
| 5 | 3.7 | 3"(4") | 80(100) | 765 | 587 |
| 7.5 | 5.5 | 3"(4") | 80(100) | 805 | 627 |



Data Chart

| Type | Output | | Discharge | F.L.A. | | Rated | | Maximum | | Cable | Free Passage | Weight | Q.D.C. |
|----------------|--------|------|-----------|---------|---------|--------|----------|---------|----------|-------|--------------|--------|--------|
| | HP | KW | | 1ø 230V | 3ø 400V | Head m | Cap. LPM | Head m | Cap. LPM | | | | |
| 50EF-5.05 | 0.5 | 0.37 | 2" | 4 | 1.2 | 6 | 150 | 9.5 | 310 | 10 | 5 | 12.2 | - |
| 50EF-5.10 | 1 | 0.75 | 2" | 6 | 2 | 8 | 150 | 11 | 450 | 10 | 5 | 19 | - |
| 50(80)EF-5.20 | 2 | 1.5 | 2"(3") | 11.3 | 3.5 | 10 | 360 | 15.5 | 680 | 10 | 5.5 | 35.7 | QM-80 |
| 50(80)EF-5.30 | 3 | 2.2 | 2"(3") | - | 5.2 | 11 | 450 | 18.5 | 800 | 10 | 5.5 | 36.8 | QM-80 |
| 80(100)EF-5.50 | 5 | 3.7 | 3"(4") | - | 8.6 | 8 | 700 | 22.5 | 950 | 10 | 5.5 | 56 | QM-100 |
| 80(100)EF-5.75 | 7.5 | 5.5 | 3"(4") | - | 12 | 12 | 750 | 26.5 | 1100 | 10 | 5.5 | 62 | QM-100 |

- » 50EF-5.05 : Thread Type
- » 50EF-5.10 : Thread Type / Elbow Type(2" or 3" / Fit with Q.D.C. QM-80)
- » 50(80)EF-5.20~30 : Elbow Type
- » 80(100)EF-5.50~75 : Elbow Type