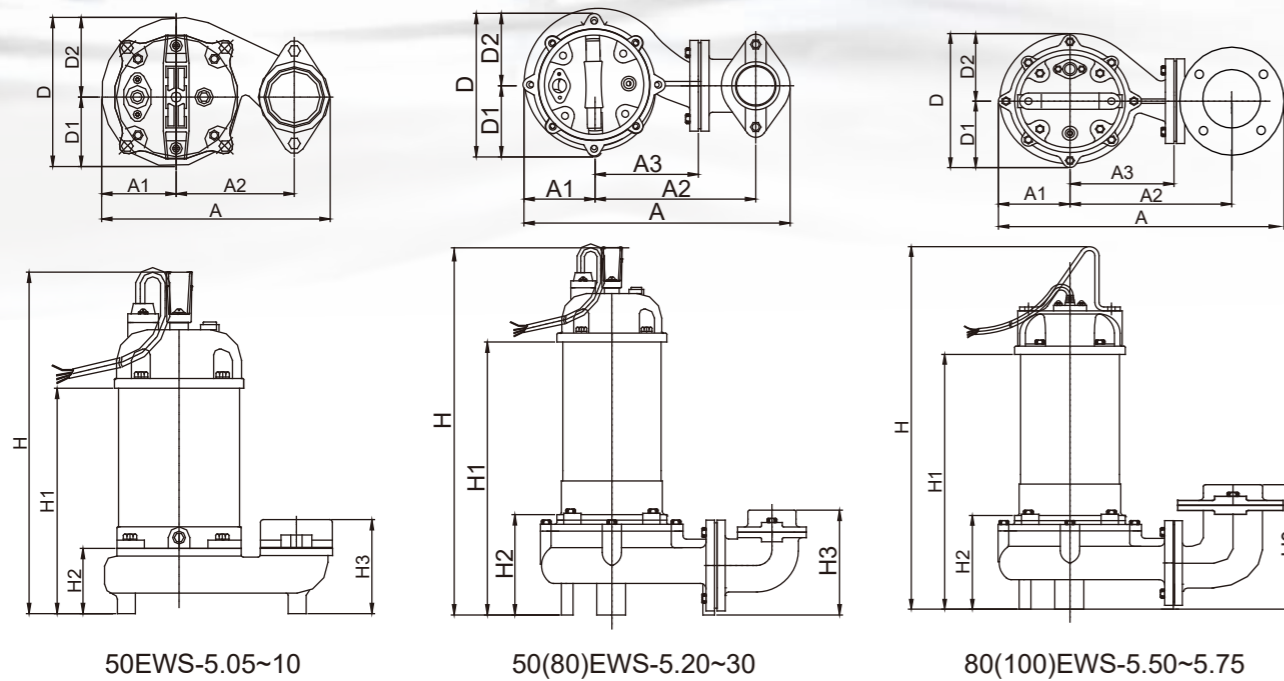


EWS-Series Dimensions



Dimensions (mm)											
Type	A	A1	A2	A3	D	D1	D2	H	H1	H2	H3
50EWS-5.05	228	75	120	NA	150	70	80	425	297	117	138
50EWS-5.10	228	75	120	NA	150	70	80	455	327	117	138
50(80)EWS-5.20	390	103	235	154	208	104	104	532	400	150	150
50(80)EWS-5.30	390	103	235	154	208	104	104	552	420	150	150
80(100)EWS-5.50	466	100	274	177	210	95	115	633	468	160	225
80(100)EWS-5.75	466	100	274	177	210	95	115	673	508	160	225

» Note1 : Automatic models are available in single-phase versions(0.5~2HP).

» Note2 : Q.D.C. (Quick Discharge Connection) is available for all models.



EVAK PUMP TECHNOLOGY CORP.

No. 551, Zhongshan Rd., Qingshui Dist., Taichung City 436, Taiwan.
 TEL: +886-426-233556 Fax: +886-426-235559

Vol. PEWS-16111



EWS SERIES 50HZ

316 Stainless Steel Submersible
Vortex Sewage Pump



www.evak-pumps.com

EWS SERIES 50HZ

316 Stainless Steel Submersible Vortex Sewage Pump

Feature

- / Vortex Impeller / Non-clogging
- / Minimized abrasive wear
- / Large impeller clearance
- / Maintenance free
- / Double Mech. Seal in Si. Ca
- / Loss wax 316 Stainless Steel

Application

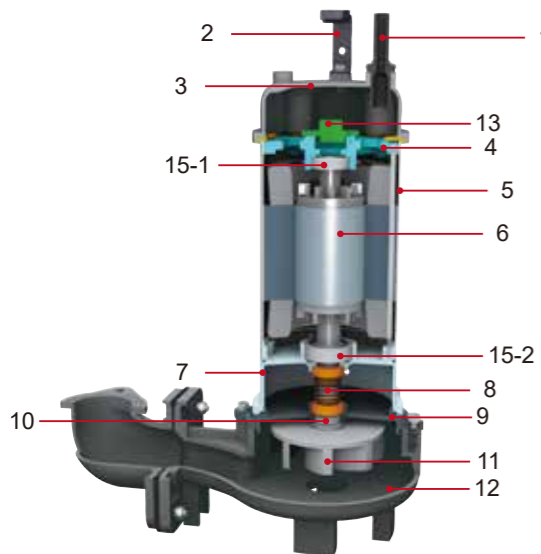
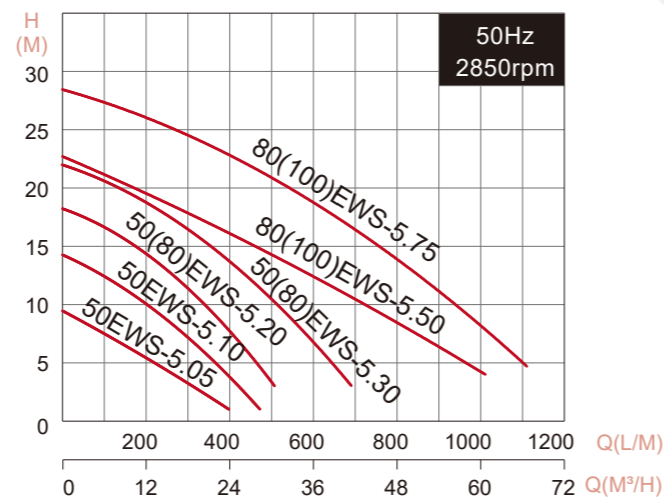
- / Medium concentration wastewater
- / Heavy duty

Specifications

Liquid Temperature		0~40°C (32~104°F)
Submersible depth		10M
Motor Part	Frequency	50Hz
	Pole	2 Pole
	Type	Dry Type
	Insulation	Class B
	Protection	IP 68
Pump Part	Protector	Auto-cut
	Bearing	Ball Type
	Mechanical seal	Dual. Mechanical Seal
	Impeller	Semi-Open



Performance Curve



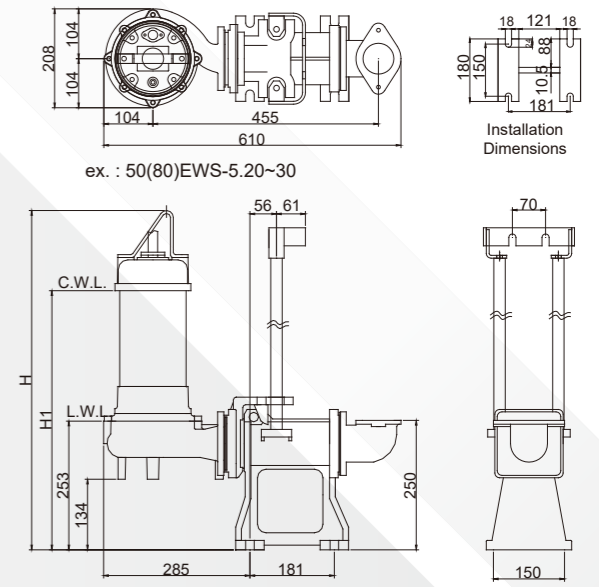
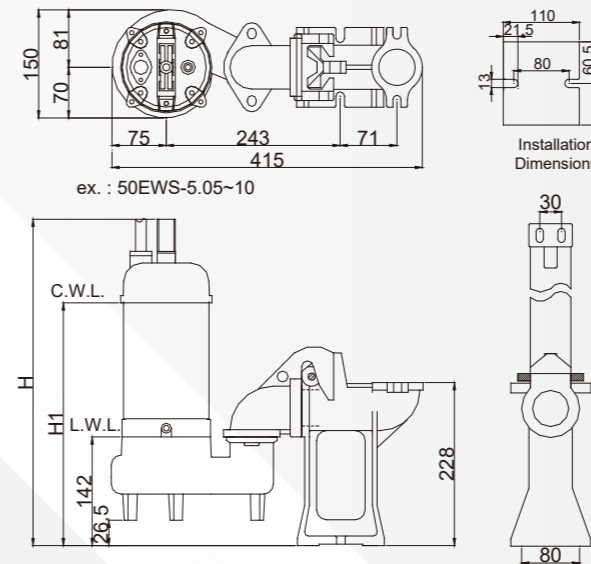
Parts and Material List

No	Part	Material
1	Cable	H07RN-F/SJTW/STOW
2	Handle	Nylon 6(0.5-1HP) ; SUS 316 (2-7.5HP)
3	Motor Cover	SUS 316
4	Bracket	FC 20
5	Motor Housing	SUS 316
6	Shaft with Rotor	SUS 316
7	Oil Chamber	FC 20(0.5-1HP) ; SUS 316(2-7.5HP)
8	Double Mech.Seal	Upper : CA / CE Lower : SIC / SIC
9	Seal Housing	SUS 316
10	Oil Seal	Viton
11	Impeller	SUS 316
12	Pump Casing	SUS 316
13	Protector	
15-1	Upper Bearing	NTN
15-2	Lower Bearing	NTN

Vortex Impeller
316 Stainless Steel

Mech. Seal (EKK)	Bearing (NTN)	SQS(0.5HP~1HP)	SQM(2HP~7.5HP)
		SUS 304 / SUS 316	SUS 304 / SUS 316

EWS-Series with SQS / SQM



EWS with SQS

Output		Discharge		Dimensions(mm)	
HP	kw	inch	mm	H	H1
0.5	0.37	2"	50	445	322
1	0.75	2"	50	475	352

EWS with SQM

Output		Discharge		Dimensions(mm)	
HP	kw	inch	mm	H	H1
2	1.5	2"(3")	50(80)	660	534
3	2.2	2"(3")	50(80)	690	554
5	3.7	3"(4")	80(100)	769	604
7.5	5.5	3"(4")	80(100)	809	644

Data Chart

Type	Output		Discharge	F.L.A.		Rated		Maximum		Cable	Free Passage	Weight	Q.D.C.
	HP	KW		Inch	1ø 230V	3ø 400V	Head m	Cap. LPM	Head m				
50EWS-5.05	0.5	0.37	2"	3.4	1.4	5.4	200	9.5	398	10	35	13.2	SQS-50
50EWS-5.10	1	0.75	2"	6	2.2	9	240	14.3	472	10	35	18	SQS-50
50(80)EWS-5.20	2	1.5	2"(3")	9.8	4.2	12	280	18.3	507	10	45	34.7	SQM-80
50(80)EWS-5.30	3	2.2	2"(3")	-	5.7	14.7	360	22.1	690	10	45	35.8	SQM-80
80(100)EWS-5.50	5	3.7	3"(4")	-	7.5	13.2	560	23.3	1010	10	45	56	SQM-100
80(100)EWS-5.75	7.5	5.5	3"(4")	-	11.4	18.7	600	28.8	1110	10	45	62	SQM-100

- » 50EWS-5.05~10 : Flange Type
- » 50(80)EWS-5.20~30 : Elbow Type
- » 80(100)EWS-5.50~75 : Elbow Type