

Customer

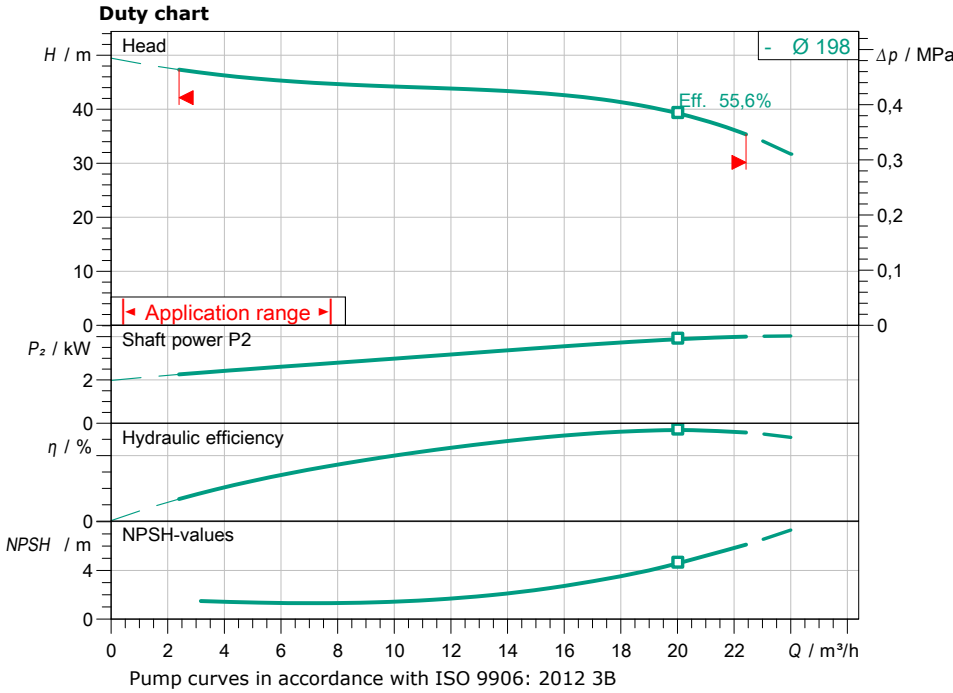
Technical data

Glanded monobloc pump Atmos BST 32/200-4/2-V2

Project name Untitled project 2024-07-24 08:55:39.272

Project ID
Installation location
Customer pos. No.

Date 24.07.2024



Requested data

Flow
Head
Media Water 100 %
Fluid temperature 20,00 °C
Density 998,30 kg/m³
Kin. viscosity 1,00 mm²/s

Hydraulic data (Duty point)

Flow
Head
Shaft power P_2
Hydraulic efficiency
NPSH
Impeller size 198

Product data

Glanded monobloc pump
Atmos BST 32/200-4/2-V2
Max. operating pressure 1 MPa
Fluid temperature -20 °C ... +120 °C
Max. ambient temperature 50 °C
Minimum efficiency index (MEI) ≥ 0.4

Motordata per Motor/Pump

Motor efficiency level IE3
Mains connection 3~ 400 V / 50 Hz
Permitted voltage tolerance + -6 %
Max. speed 2900 1/min
Rated power P_2 4,00 kW
Rated current 7,40 A
Power factor 0,88
Efficiency 50% / 75% / 100% // %
Degree of protection IP55
Insulation class F
Motor protection

Fitting dimensions

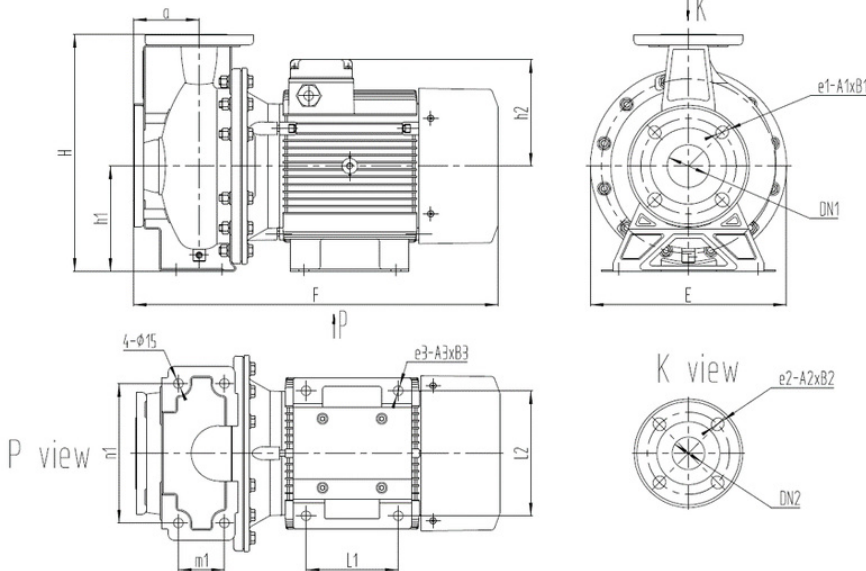
Pipe connection on the suction side DN 50, PN 16
Pipe connection (pressure side) DN 32, PN 16
Port to Port

Materials

Pump housing 1.4301
Impeller 1.4301
Shaft 1.4301
Shaft seal B3Q1EF

Information for order placements

Weight approx.
Item number 9187054



Dimensions

mm

A	80	H1	160	DNd	DN 32, PN 16
B1	20	H2	147		
B2	20	L1	140		
e	298	L2	190		
H	340	DNs	DN 50, PN 16		

Customer

Hydraulic data

Glanded monobloc pump
Atmos BST 32/200-4/2-V2

Project name: Untitled project 2024-07-24 08:55:39.272

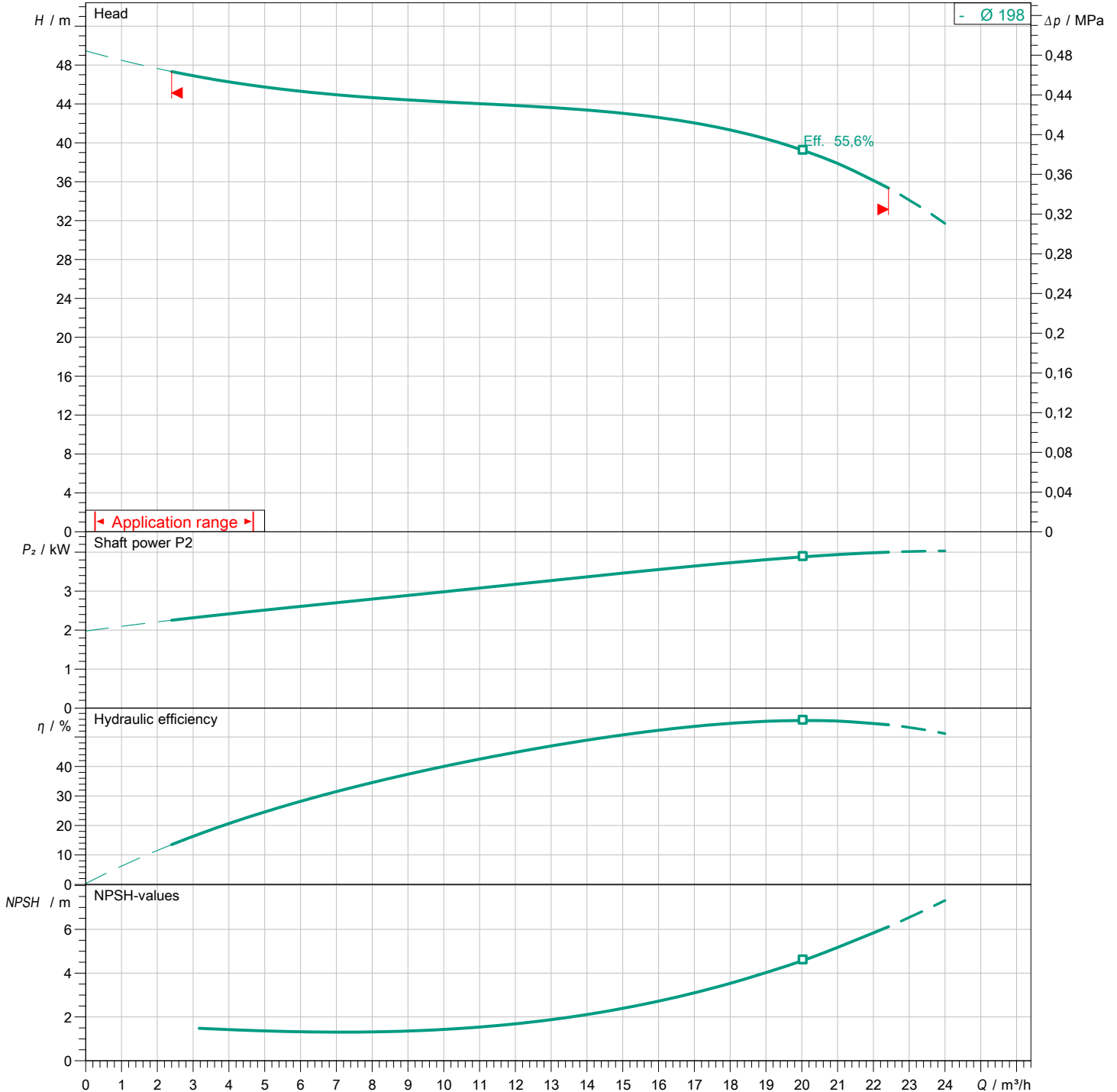
Project ID
Installation location
Customer pos. No.

Date: 24.07.2024

Operating data

Speed 2886 1/min	Frequency 50 Hz	Duty point Q =	H =	Suction port DN 50	Discharge port DN 32
----------------------------	---------------------------	--------------------------	------------	------------------------------	--------------------------------

Power data referred to: Water; 20°C; 998,3kg/m³; 1,005mm²/s ±10% tolerance with linear U/f frequency control



Contact
E-mail
Phone

Customer

Contact
E-mail
Phone

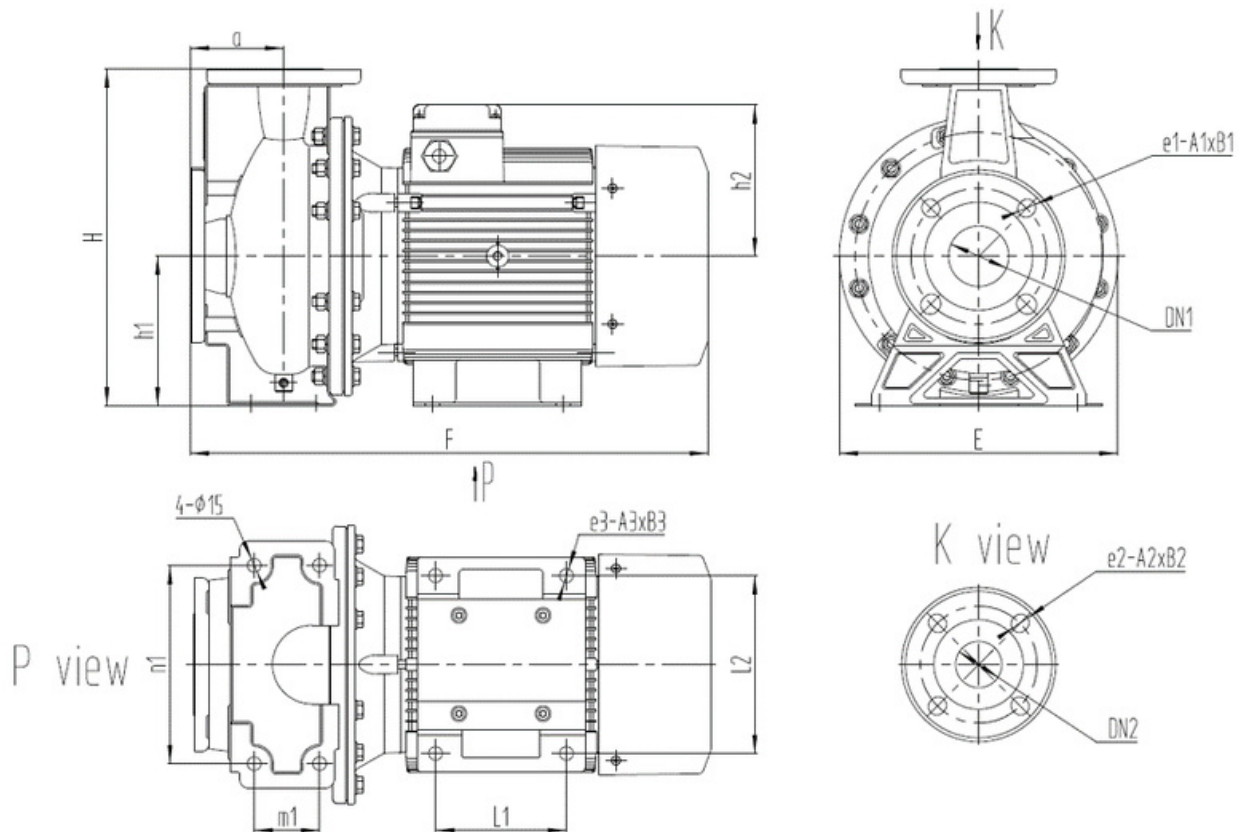
Dimensions

Glanded monobloc pump
Atmos BST 32/200-4/2-V2

Project name Untitled project 2024-07-24 08:55:39.272

Project ID
Installation location
Customer pos. No.

Date 24.07.2024



Standard

Suction side DN 50, PN 16
Discharge side DN 32, PN 16

Dimensions mm

Name	Value	Name	Value	Name	Value	Name	Value
A	80	L1	140				
B1	20	L2	190				
B2	20	DNs	DN 50, PN 16				
e	298	DNd	DN 32, PN 16				
H	340						
H1	160						
H2	147						